

PLEASE CHECK WWW.MOLEX.COM FOR LATEST PART INFORMATION

Part Number: [0432238197](#)
Status: **Active**
Overview: [modular_plugs_jacks](#)
Description: Modular Jack, Right Angle, Low Profile, 8/8, 4 Ports

Documents:

[3D Model](#) [Product Specification PS-43223-001 \(PDF\)](#)
[Drawing \(PDF\)](#) [RoHS Certificate of Compliance \(PDF\)](#)

Agency Certification

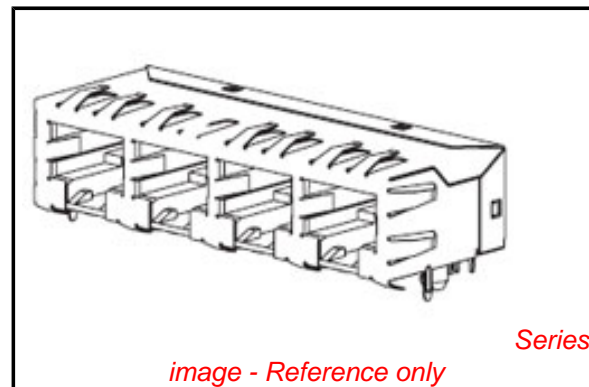
UL E107635

General

Product Family Modular Jacks/Plugs
 Series [43223](#)
 Component Type PCB Jack
 Magnetic No
 Overview [modular_plugs_jacks](#)
 Performance Category 3
 Power over Ethernet (PoE) N/A
 Product Name RJ45

Physical

Boot Color N/A
 Color - Resin Black
 Durability (mating cycles max) 500
 Flammability 94V-0
 Inverted / Top Latch No
 Keying to Mating Part None
 Lightpipes/LEDs None
 Material - Metal Phosphor Bronze
 Material - Plating Mating Gold
 Material - Plating Termination Tin
 Material - Resin High Temperature Thermoplastic
 Orientation Right Angle (Side Entry)
 PCB Locator Yes
 PCB Retention Yes
 PCB Thickness Recommended (in) 0.062 In
 PCB Thickness Recommended (mm) 1.57 mm
 Packaging Type Tube
 Panel Mount Without Flange
 Pitch - Mating Interface (in) 0.040 In
 Pitch - Mating Interface (mm) 1.02 mm
 Pitch - Term. Interface (in) 0.050 In
 Pitch - Term. Interface (mm) 1.27 mm
 Plating min: Mating (µin) 50
 Plating min: Mating (µm) 1.25
 Plating min: Termination (µin) 100
 Plating min: Termination (µm) 2.5
 Ports 4
 Positions / Loaded Contacts 8/8
 Surface Mount Compatible (SMC) No
 Temperature Range - Operating -40°C to +85°C
 Termination Interface: Style Through Hole
 Waterproof / Dustproof No
 Wire/Cable Type N/A



EU RoHS

**ELV and RoHS
Compliant**
REACH SVHC
 Not Reviewed
**Halogen-Free
Status**
 Not Reviewed

China RoHS



**Need more information on product
environmental compliance?**

Email productcompliance@molex.com
 For a multiple part number RoHS Certificate of
 Compliance, [click here](#)

Please visit the [Contact Us](#) section for any
 non-product compliance questions.

Search Parts in this Series

[43223Series](#)

Mates With

FCC 68 Plugs

Electrical

| | |
|-------------------------------|---------------|
| Current - Maximum per Contact | 1.5A |
| Grounding to PCB | Yes |
| Grounding to Panel | None |
| Shielded | No |
| Voltage - Maximum | 150V AC (RMS) |

Solder Process Data

| | |
|--|------------------------|
| Duration at Max. Process Temperature (seconds) | 5 |
| Lead-free Process Capability | Wave Capable (TH only) |
| Max. Cycles at Max. Process Temperature | 1 |
| Process Temperature max. C | 260 |

Material Info**Reference - Drawing Numbers**

| | |
|-------------------------|--------------|
| Packaging Specification | PK-43249-005 |
| Product Specification | PS-43223-001 |
| Sales Drawing | SDA-43223 |
| Test Summary | TS-43223-001 |

This document was generated on 06/07/2010

PLEASE CHECK WWW.MOLEX.COM FOR LATEST PART INFORMATION

NOTES:

1) MATERIAL:

HOUSING: GLASS FILLED NYLON, UL94V-0, COLOR: BLACK
 INSULATOR: GLASS FILLED NYLON, UL94V-0, COLOR: BLACK
 TERMINALS: PHOSPHOR BRONZE: .012/ 0.30 THICK

2) FINISH:

TERMINALS:

SELECT GOLD IN CONTACT AREA: 50 MICROINCHES/ 1.27 MICROMETERS MIN.,
 *SELECT TIN IN PC TAIL AREA: 100 MICROINCHES/ 2.54 MICROMETERS MIN.,
 WITH OVERALL NICKEL UNDERPLATE: 50 MICROINCHES/ 1.27 MICROMETERS MIN.
 *THE PRIMARY SHIPPING CARTON WILL BE LABELED "COMPLIANT TO RoHS
 DIRECTIVE 2002/95/EC AND ELV ANNEX II OF DIRECTIVE 2000/53/EC".
 CARTONS WITHOUT THIS LABEL MAY CONTAIN PRODUCT WITH TIN-LEAD
 IN THE PC TAIL AREA.

3) PRODUCT SPECIFICATION AND PROCESSING PARAMETERS: PS-43223-001.

4) PACKAGING SPECIFICATION:

UNSHIELDED CONNECTOR ASSEMBLIES PACKAGED IN TRAYS PER MOLEX
 PACKAGING SPECIFICATION PK-43249-004.

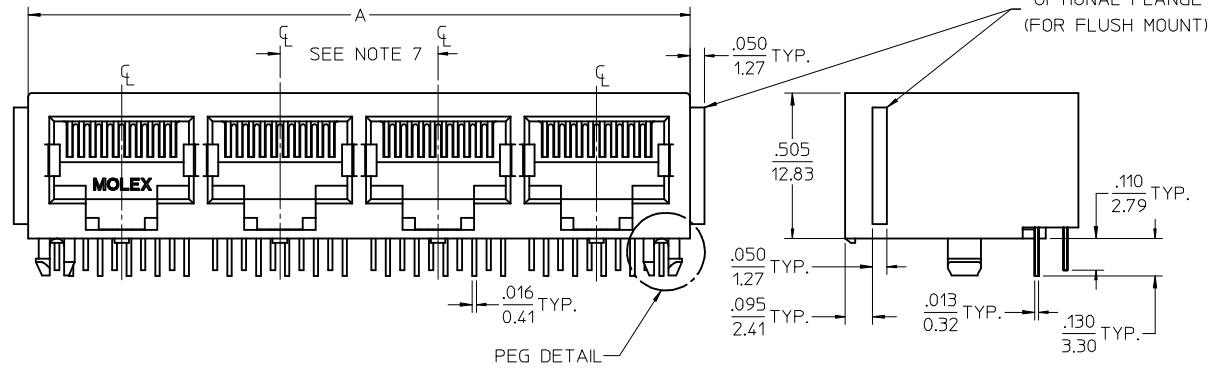
5) SEE SHEETS 4-6 FOR P.C. BOARD LAYOUTS.

6) SEE SHEET 2 FOR THE SHIELDED JACK ASSEMBLY.

7) FOR 6 CIRCUIT JACKS CENTERLINE TO CENTERLINE SPACING IS .448/ 11.38,
 FOR 8 CIRCUIT JACKS CENTERLINE TO CENTERLINE SPACING IS .550/ 13.97.

8) ALL UNTOLERANCED DIMENSIONS ARE SHOWN FOR REFERENCE ONLY.

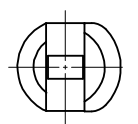
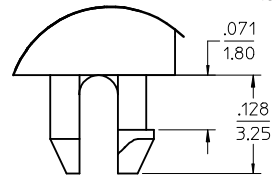
9) THIS PART CONFORMS TO CLASS B REQUIREMENTS OF COSMETIC
 SPECIFICATION PS-45499-002.



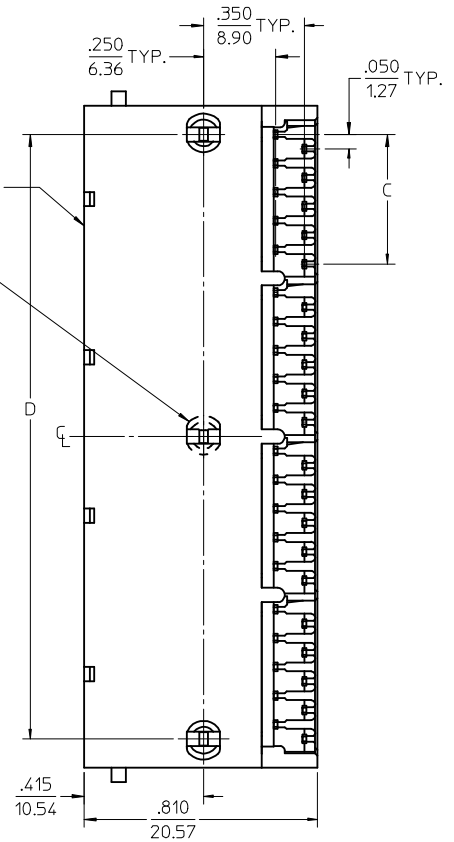
4 PORT 8 LOADED
 10 JACK SHOWN

UNSHIELDED GANGED JACK ASSEMBLY
 SEE SHEET 3

CENTER PEG
 (8 PORT ASSY. ONLY)



SNAP-FIT
 PEG DETAIL
 SCALE 8:1



6 CIRCUIT HOUSING

| CIRCUIT SIZE | NO. OF PORTS | DIM. A | DIM. C | DIM. D |
|--------------|--------------|------------------|----------------|------------------|
| 6 | 2 | .985 (25.02) | .250 (6.35) | .848 (21.54) |
| 4 | 2 | .985 (25.02) | .150 (3.81) | .848 (21.54) |
| 2 | 2 | .985 (25.02) | .050 (1.27) | .848 (21.54) |
| 6 | 3 | 1.433 (36.40) | .250 (6.35) | 1.296 (32.92) |
| 4 | 3 | 1.433 (36.40) | .150 (3.81) | 1.296 (32.92) |
| 2 | 3 | 1.433 (36.40) | .050 (1.27) | 1.296 (32.92) |
| 6 | 4 | 1.881 (47.78) | .250 (6.35) | 1.744 (44.30) |
| 4 | 4 | 1.881 (47.78) | .150 (3.81) | 1.744 (44.30) |
| 2 | 4 | 1.881 (47.78) | .050 (1.27) | 1.744 (44.30) |
| 6 | 5 | 2.329 (59.16) | .250 (6.35) | 2.192 (55.68) |
| 4 | 5 | 2.329 (59.16) | .150 (3.81) | 2.192 (55.68) |
| 2 | 5 | 2.329 (59.16) | .050 (1.27) | 2.192 (55.68) |
| 6 | 6 | 2.777 (70.54) | .250 (6.35) | 2.640 (67.06) |
| 4 | 6 | 2.777 (70.54) | .150 (3.81) | 2.640 (67.06) |
| 2 | 6 | 2.777 (70.54) | .050 (1.27) | 2.640 (67.06) |
| 6 | 8 | 3.673 (93.29) | .250 (6.35) | 3.536 (89.81) |
| 4 | 8 | 3.673 (93.29) | .150 (3.81) | 3.536 (89.81) |
| 2 | 8 | 3.673 (93.29) | .050 (1.27) | 3.536 (89.81) |

8 CIRCUIT HOUSING

| CIRCUIT SIZE | NO. OF PORTS | DIM. A | DIM. C | DIM. D |
|--------------|--------------|-------------------|-----------------|-------------------|
| 10 | 2 | 1.200 (30.48) | .450 (11.43) | 1.000 (25.40) |
| 8 | 2 | 1.200 (30.48) | .350 (8.89) | 1.000 (25.40) |
| 6 | 2 | 1.200 (30.48) | .250 (6.35) | 1.000 (25.40) |
| 10 | 3 | 1.750 (44.45) | .450 (11.43) | 1.550 (39.37) |
| 8 | 3 | 1.750 (44.45) | .350 (8.89) | 1.550 (39.37) |
| 6 | 3 | 1.750 (44.45) | .250 (6.35) | 1.550 (39.37) |
| 4 | 3 | 1.750 (44.45) | .150 (3.81) | 1.550 (39.37) |
| 10 | 4 | 2.300 (58.42) | .450 (11.43) | 2.100 (53.34) |
| 8 | 4 | 2.300 (58.42) | .350 (8.89) | 2.100 (53.34) |
| 4 | 4 | 2.300 (58.42) | .150 (3.81) | 2.100 (53.34) |
| 4 | 5 | 2.850 (72.39) | .450 (11.43) | 2.650 (67.31) |
| 10 | 5 | 2.850 (72.39) | .350 (8.89) | 2.650 (67.31) |
| 8 | 5 | 2.850 (72.39) | .250 (6.35) | 2.650 (67.31) |
| 10 | 6 | 3.400 (86.36) | .450 (11.43) | 3.200 (81.28) |
| 8 | 6 | 3.400 (86.36) | .350 (8.89) | 3.200 (81.28) |
| 10 | 8 | 4.500 (114.30) | .450 (11.43) | 4.300 (109.22) |
| 8 | 8 | 4.500 (114.30) | .350 (8.89) | 4.300 (109.22) |

ADD BLOCK TOL
 EC NO: UCP2009-0477
 2008/09/05
 DRWN: BELL
 2008/09/11
 CHKD: BELL
 2008/09/11
 APPR: FSMITH
 2008/09/11

DESCRIPTION

REV: K1

QUALITY SYMBOLS

GENERAL TOLERANCES (UNLESS SPECIFIED)

| | mm | INCH |
|----------|--------|--------|
| 4 PLACES | ± .15 | ± .005 |
| 3 PLACES | ± .10 | ± .005 |
| 2 PLACES | ± 0.38 | ± .015 |
| 1 PLACE | ± .10 | ± .005 |

ANGULAR ±1/2°

DRAFT WHERE APPLICABLE
 MUST REMAIN
 WITHIN DIMENSIONS

DIMENSION STYLE
 IN/MM

SCALE
 3:1

DESIGN UNITS
 INCH

THIRD ANGLE PROJECTION

DRAWN BY
 JTR

DATE
 1993/10/18

CHECKED BY
 JTR

DATE
 1993/10/18

APPROVED BY
 RAS

DATE
 1993/10/18

MATERIAL NO.
 SEE SHTS 3

SIZE
 C

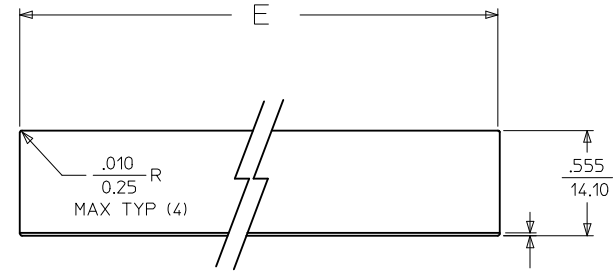
LOW PROFILE GANGED,
 RIGHT ANGLE MODULAR JACK
 ASSEMBLY

MOLEX INCORPORATED

DOCUMENT NO.
 SDA-43223

SHEET NO.
 1 OF 6

THIS DRAWING CONTAINS INFORMATION THAT IS PROPRIETARY TO MOLEX
 INCORPORATED AND SHOULD NOT BE USED WITHOUT WRITTEN PERMISSION



SUGGESTED PANEL OPENING

SCALE : 2/1



4 PORT 8 LOADED
8 JACK SHOWN

- NOTES:
- 1) MATERIAL:
HOUSING: GLASS FILLED NYLON, UL94V-0, COLOR: BLACK
INSULATOR: GLASS FILLED NYLON, UL94V-0, COLOR: BLACK
TERMINALS: PHOSPHOR BRONZE: .012/ 0.30 THICK
SHIELD: BRASS, FRONT .007/ 0.18 THICK, REAR .010/ 0.25 THICK
 - 2) FINISH:
TERMINALS:
SELECT GOLD IN CONTACT AREA: 50 MICROINCHES/ 1.27 MICROMETERS MIN.,
*SELECT TIN IN PC TAIL AREA: 100 MICROINCHES/ 2.54 MICROMETERS MIN.,
WITH OVERALL NICKEL UNDERPLATE: 50 MICROINCHES/ 1.27 MICROMETERS MIN.
SHIELD:
*100 MICROINCHES/ 2.54 MICROMETERS NICKEL OVER 50 MICROINCHES/ 1.27 MICROMETERS COPPER UNDERPLATE. PCB GROUND TABS DIPPED IN TIN
*THE PRIMARY SHIPPING CARTON WILL BE LABELED "COMPLIANT TO RoHS DIRECTIVE 2002/95/EC AND ELV ANNEX II OF DIRECTIVE 2000/53/EC". CARTONS WITHOUT THIS LABEL MAY CONTAIN PRODUCT WITH TIN-LEAD IN THE PC TAIL AND/OR SHIELD.
 - 3) PRODUCT SPECIFICATION AND PROCESSING PARAMETERS: PS-43223-001.
 - 4) PACKAGING SPECIFICATION:
SHIELDED CONNECTOR ASSEMBLIES PACKAGED IN TRAYS PER MOLEX PACKAGING SPECIFICATION PK-44150-004.
 - 5) SEE SHEETS 4-6 FOR P.C. BOARD LAYOUTS.
 - 6) REAR SHIELD IS AVAILABLE WITH (1) CENTERED GROUND TAB ON 4 & 8 PORT VERSIONS.
 - 7) 8 CIRCUIT JACKS CENTERLINE TO CENTERLINE SPACING IS .550/ 13.97.
 - 8) ALL UNTOLERANCED DIMENSIONS ARE SHOWN FOR REFERENCE ONLY.
 - 9) THIS PART CONFORMS TO CLASS B REQUIREMENTS OF COSMETIC SPECIFICATION PS-45499-002.

| HOUSING SIZE | CIRCUIT SIZE | NO. OF PORTS | DIM. A | DIM. C | DIM. D | DIM. E |
|--------------|--------------|--------------|----------------|-------------|----------------|----------------|
| 8 | 8 | 2 | 1.224 (31.09) | .350 (8.89) | 1.000 (25.40) | 1.255 (31.88) |
| 8 | 8 | 4 | 2.324 (59.03) | .350 (8.89) | 2.100 (53.34) | 2.355 (59.82) |
| 8 | 8 | 6 | 3.424 (86.97) | .350 (8.89) | 3.200 (81.28) | 3.455 (87.76) |
| 8 | 8 | 8 | 4.524 (114.91) | .350 (8.89) | 4.300 (109.22) | 4.555 (115.97) |
| 8 | 2 | 8 | 4.524 (114.91) | .050 (1.27) | 4.300 (109.22) | 4.555 (115.97) |

| | | | | | | |
|---|--|--|--|---|--|--|
| SEE SHEET 1 EC NO: UCP2009-0477 DRWN:JBELL CHKD:JBELL APPR:FSMITH 2008/09/05 2008/09/11 2008/09/11 | QUALITY SYMBOLS ▽=0 ▽=0 | GENERAL TOLERANCES (UNLESS SPECIFIED) mm INCH 4 PLACES ± --- ± --- 3 PLACES ± --- ± .015 2 PLACES ± 0.38 ± --- 1 PLACE ± --- ± --- ANGULAR ±1/2° | DIMENSION STYLE IN/MM DRAWN BY DATE JTR 1993/10/18 CHECKED BY DATE JTR 1993/10/18 APPROVED BY DATE RAS 1993/10/18 | SCALE 4:1 DESIGN UNITS INCH THIRD ANGLE PROJECTION | TITLE LOW PROFILE GANGED, RIGHT ANGLE MODULAR JACK ASSEMBLY | |
| | MATERIAL NO. SEE SHTS 3 | MOLEX MOLEX INCORPORATED | SHEET NO. 2 OF 6 | THIS DRAWING CONTAINS INFORMATION THAT IS PROPRIETARY TO MOLEX INCORPORATED AND SHOULD NOT BE USED WITHOUT WRITTEN PERMISSION | | |
| | DRAFT WHERE APPLICABLE MUST REMAIN WITHIN DIMENSIONS | DOCUMENT NO. SDA-43223 | | | | |
| | K1 | REV | MOLEX MOLEX INCORPORATED | | | |

FLUSH MOUNT (UNSHIELDED)

| ASSEMBLY NUMBER | CONNECTOR SIZE | NUMBER OF CIRCUITS | NUMBER OF PORTS | PACKAGING STYLE | PACKAGING SPECIFICATION |
|-----------------|----------------|--------------------|-----------------|-----------------|-------------------------|
| 43223-6001 | 6 | 6 | 2 | TRAY | PK-43249-004 |
| 43223-6004 | 6 | 6 | 3 | ↑ | ↑ |
| 43223-6007 | 6 | 6 | 4 | | |
| 43223-6010 | 6 | 6 | 5 | | |
| 43223-6013 | 6 | 6 | 6 | | |
| 43223-6019 | 6 | 6 | 8 | | |
| 43223-6022 | 6 | 4 | 2 | | |
| 43223-6025 | 6 | 4 | 3 | | |
| 43223-6028 | 6 | 4 | 4 | | |
| 43223-6031 | 6 | 4 | 5 | | |
| 43223-6034 | 6 | 4 | 6 | | |
| 43223-6040 | 6 | 4 | 8 | | |
| 43223-6043 | 6 | 2 | 2 | | |
| 43223-6046 | 6 | 2 | 3 | | |
| 43223-6049 | 6 | 2 | 4 | | |
| 43223-6052 | 6 | 2 | 5 | | |
| 43223-6055 | 6 | 2 | 6 | ↓ | ↓ |
| 43223-6058 | 6 | 2 | 8 | TRAY | PK-43249-004 |

| | | | | | |
|------------|---|----|---|------|--------------|
| 43223-8001 | 8 | 10 | 2 | TRAY | PK-43249-004 |
| 43223-8004 | 8 | 10 | 3 | ↑ | ↑ |
| 43223-8007 | 8 | 10 | 4 | | |
| 43223-8010 | 8 | 10 | 5 | | |
| 43223-8013 | 8 | 10 | 6 | | |
| 43223-8019 | 8 | 10 | 8 | | |
| 43223-8022 | 8 | 8 | 2 | | |
| 43223-8025 | 8 | 8 | 3 | | |
| 43223-8028 | 8 | 8 | 4 | | |
| 43223-8031 | 8 | 8 | 5 | | |
| 43223-8034 | 8 | 8 | 6 | | |
| 43223-8040 | 8 | 8 | 8 | | |
| 43223-8041 | 8 | 4 | 5 | ↓ | ↓ |
| 43223-8042 | 8 | 6 | 3 | TRAY | PK-43249-004 |

FLANGELESS (UNSHIELDED)

| ASSEMBLY NUMBER | CONNECTOR SIZE | NUMBER OF CIRCUITS | NUMBER OF PORTS | PACKAGING STYLE | PACKAGING SPECIFICATION |
|-----------------|----------------|--------------------|-----------------|-----------------|-------------------------|
| 43223-6101 | 6 | 6 | 2 | TRAY | PK-43249-004 |
| 43223-6104 | 6 | 6 | 3 | ↑ | ↑ |
| 43223-6107 | 6 | 6 | 4 | | |
| 43223-6110 | 6 | 6 | 5 | | |
| 43223-6113 | 6 | 6 | 6 | | |
| 43223-6119 | 6 | 6 | 8 | | |
| 43223-6122 | 6 | 4 | 2 | | |
| 43223-6125 | 6 | 4 | 3 | | |
| 43223-6128 | 6 | 4 | 4 | | |
| 43223-6131 | 6 | 4 | 5 | | |
| 43223-6134 | 6 | 4 | 6 | | |
| 43223-6140 | 6 | 4 | 8 | | |
| 43223-6143 | 6 | 2 | 2 | | |
| 43223-6146 | 6 | 2 | 3 | | |
| 43223-6149 | 6 | 2 | 4 | | |
| 43223-6152 | 6 | 2 | 5 | | |
| 43223-6155 | 6 | 2 | 6 | ↓ | ↓ |
| 43223-6158 | 6 | 2 | 8 | TRAY | PK-43249-004 |

| | | | | | |
|------------|---|----|---|------|--------------|
| 43223-8101 | 8 | 10 | 2 | TRAY | PK-43249-004 |
| 43223-8104 | 8 | 10 | 3 | ↑ | ↑ |
| 43223-8107 | 8 | 10 | 4 | | |
| 43223-8110 | 8 | 10 | 5 | | |
| 43223-8113 | 8 | 10 | 6 | | |
| 43223-8119 | 8 | 10 | 8 | | |
| 43223-8122 | 8 | 8 | 2 | | |
| 43223-8131 | 8 | 8 | 3 | | |
| 43223-8140 | 8 | 8 | 4 | | |
| 43223-8149 | 8 | 8 | 5 | | |
| 43223-8158 | 8 | 8 | 6 | ↓ | ↓ |
| 43223-8176 | 8 | 8 | 8 | TRAY | PK-43249-004 |

| | | | | | |
|------------|---|---|---|------|--------------|
| 43223-8191 | 8 | 6 | 2 | TUBE | PK-43249-005 |
| 43223-8192 | 8 | 4 | 4 | TUBE | PK-43249-005 |
| 43223-8193 | 8 | 4 | 3 | TUBE | PK-43249-005 |
| 43223-8195 | 8 | 8 | 2 | TUBE | PK-43249-005 |
| 43223-8196 | 8 | 8 | 3 | TUBE | PK-43249-005 |
| 43223-8197 | 8 | 8 | 4 | TUBE | PK-43249-005 |

FLANGELESS (SHIELDED)

| ASSEMBLY NUMBER | DIMENSION "B" | CONNECTOR SIZE | NUMBER OF CIRCUITS | NUMBER OF PORTS | NUMBER OF REAR SHIELD GROUND TABS | PACKAGING STYLE | PACKAGING SPECIFICATION |
|-----------------|---------------|----------------|--------------------|-----------------|-----------------------------------|-----------------|-------------------------|
| 43223-8128 | .180 | 8 | 8 | 2 | 1 | TRAY | PK-44150-004 |
| 43223-8146 | .180 | 8 | 8 | 4 | 3 | ↑ | ↑ |
| 43223-8164 | .180 | 8 | 8 | 6 | 5 | | |
| 43223-8182 | .180 | 8 | 8 | 8 | 7 | | |
| 43223-8185 | .180 | 8 | 8 | 8 | 1 | | |
| 43223-8188 | .180 | 8 | 8 | 4 | 1 | ↓ | ↓ |
| 43223-8194 | .180 | 8 | 2 | 8 | 7 | TRAY | PK-44150-004 |

| | | | | | | | |
|------------|------|---|---|---|---|------|--------------|
| 43223-8301 | .145 | 8 | 8 | 2 | 1 | TRAY | PK-44150-004 |
| 43223-8302 | .145 | 8 | 8 | 4 | 3 | ↑ | ↑ |
| 43223-8303 | .145 | 8 | 8 | 6 | 5 | | |
| 43223-8304 | .145 | 8 | 8 | 8 | 7 | | |
| 43223-8305 | .145 | 8 | 8 | 8 | 1 | | |
| 43223-8306 | .145 | 8 | 8 | 4 | 1 | ↓ | ↓ |
| 43223-8307 | .145 | 8 | 2 | 8 | 7 | TRAY | PK-44150-004 |

SNAP FIT PEG VERSIONS

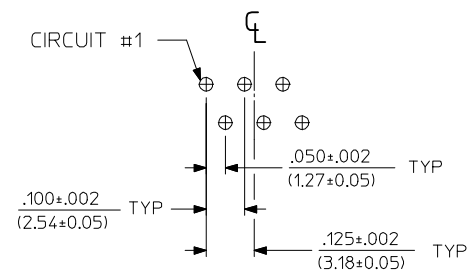
| | | | | | | |
|---|-------------------------------|--|--|---|----------------------|------------------------|
| SEE SHEET 1 EC NO: UCP2009-0477 DRWN:JBELL 2008/09/05 CHKD:JBELL 2008/09/11 APPR:FSM.LTH 2008/09/11 K1 | QUALITY SYMBOLS ▽=0 ▽=0 | GENERAL TOLERANCES (UNLESS SPECIFIED) | DIMENSION STYLE IN/MM | SCALE 2:1 | DESIGN UNITS INCH | THIRD ANGLE PROJECTION |
| | | 4 PLACES ± --- INCH 3 PLACES ± --- ±.015 2 PLACES ± 0.38 ± --- 1 PLACE ± --- ± --- | DRAWN BY DATE JTR 1993/10/18 CHECKED BY DATE JTR 1993/10/18 APPROVED BY DATE RAS 1993/10/18 | LOW PROFILE GANGED, RIGHT ANGLE MODULAR JACK ASSEMBLY | | |
| | | ANGULAR ±1/2° DRAFT WHERE APPLICABLE MUST REMAIN WITHIN DIMENSIONS | MATERIAL NO. SEE CHART SIZE C | MOLEX MOLEX INCORPORATED SDA-43223 | SHEET NO. 3 OF 6 | |
| | | THIS DRAWING CONTAINS INFORMATION THAT IS PROPRIETARY TO MOLEX INCORPORATED AND SHOULD NOT BE USED WITHOUT WRITTEN PERMISSION | | | | |



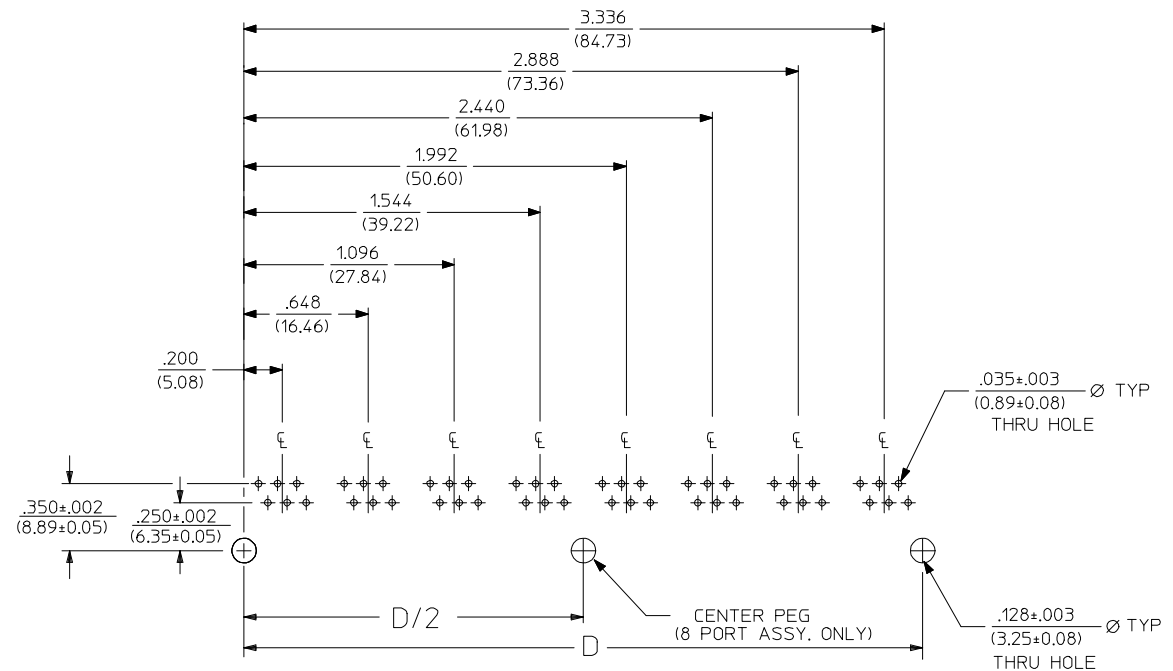
6 LOADED 2 DETAIL
SCALE: 4/1



6 LOADED 4 DETAIL
SCALE: 4/1



6 LOADED 6 DETAIL
SCALE: 4/1



SUGGESTED P.C. BOARD LAYOUT
COMPONENT SIDE OF BOARD
8 PORT, 6 LOADED 6, LAYOUT SHOWN
(SNAP-FIT VERSIONS)

NOTES:
1. RECOMMENDED PCB THICKNESS .062±.005/(1.57±0.13)

| NUMBER OF PORTS | DIM. D |
|-----------------|---------------|
| 2 | .848 (21.54) |
| 3 | 1.296 (32.92) |
| 4 | 1.744 (44.30) |
| 5 | 2.192 (55.68) |
| 6 | 2.640 (67.06) |
| 8 | 3.536 (89.81) |

| | | | | | | | | |
|---|---------------------|--|----------------------------------|---------------------------------|---|----------------------------------|----------------------------|--|
| SEE SHEET 1 EC NO: UCP2009-0477 DRWN:JBELL 2008/09/05 CHKD:JBELL 2008/09/11 APPR:FSM1TH 2008/09/11 K1 | QUALITY SYMBOLS | GENERAL TOLERANCES (UNLESS SPECIFIED) | | DIMENSION STYLE IN/MM | SCALE 2:1 | DESIGN UNITS INCH | THIRD ANGLE PROJECTION | |
| | | 4 PLACES ± --- ± --- 3 PLACES ± --- ±.015 2 PLACES ± 0.38 ± --- 1 PLACE ± --- ± --- | DRAWN BY JTR | DATE 1993/10/18 | TITLE LOW PROFILE GANGED, RIGHT ANGLE MODULAR JACK ASSEMBLY | | | |
| | | ANGULAR ±1/2° | CHECKED BY JTR | DATE 1993/10/18 | APPROVED BY RAS | | | |
| | | DRAFT WHERE APPLICABLE MUST REMAIN WITHIN DIMENSIONS | MATERIAL NO. SEE SHT 3 | DATE 1993/10/18 | MOLEX INCORPORATED | DOCUMENT NO. SDA-43223 | SHEET NO. 4 OF 6 | |

THIS DRAWING CONTAINS INFORMATION THAT IS PROPRIETARY TO MOLEX INCORPORATED AND SHOULD NOT BE USED WITHOUT WRITTEN PERMISSION



8 LOADED 2 DETAIL
SCALE: 4/1



8 LOADED 4 DETAIL
SCALE: 4/1



8 LOADED 6 DETAIL
SCALE: 4/1



8 LOADED 8 DETAIL
SCALE: 4/1



8 LOADED 10 DETAIL
SCALE: 4/1



SUGGESTED P.C. BOARD LAYOUT
COMPONENT SIDE OF BOARD
8 PORT, 8 LOADED 8
(SNAP-FIT VERSIONS)

NOTES:
1. RECOMMENDED PCB THICKNESS: .062±.005/(1.57±0.13)

| NUMBER OF PORTS | DIM. D |
|-----------------|----------------|
| 2 | 1.000 (25.40) |
| 3 | 1.550 (39.37) |
| 4 | 2.100 (53.34) |
| 5 | 2.650 (67.31) |
| 6 | 3.200 (81.28) |
| 8 | 4.300 (109.32) |

| | |
|------------------------|-----------------|
| SEE SHEET 1 | QUALITY SYMBOLS |
| EC NO: UCP2009-0477 | ▽=0 |
| DRWN:JBELL 2008/09/05 | ▽=0 |
| CHKD:JBELL 2008/09/11 | |
| APPR:FSM/TH 2008/09/11 | |
| REV | DESCRIPTION |
| K1 | |

| GENERAL TOLERANCES (UNLESS SPECIFIED) | |
|--|---------|
| mm | INCH |
| 4 PLACES ± .010 | ± .0004 |
| 3 PLACES ± .015 | ± .0006 |
| 2 PLACES ± 0.38 | ± .015 |
| 1 PLACE ± .015 | ± .0006 |
| ANGULAR ±1/2° | |
| DRAFT WHERE APPLICABLE MUST REMAIN WITHIN DIMENSIONS | |

| DIMENSION STYLE | |
|-----------------|--------------|
| IN/MM | |
| DRAWN BY | DATE |
| JTR | 1993/10/18 |
| CHECKED BY | DATE |
| JTR | 1993/10/18 |
| APPROVED BY | DATE |
| RAS | 1993/10/18 |
| MATERIAL NO. | DOCUMENT NO. |
| SEE SHT 3 | SDA-43223 |

SCALE 2:1 DESIGN UNITS INCH THIRD ANGLE PROJECTION

LOW PROFILE GANGED, RIGHT ANGLE MODULAR JACK ASSEMBLY

MOLEX MOLEX INCORPORATED

SHEET NO. 5 OF 6

THIS DRAWING CONTAINS INFORMATION THAT IS PROPRIETARY TO MOLEX INCORPORATED AND SHOULD NOT BE USED WITHOUT WRITTEN PERMISSION



8 LOADED 2 DETAIL
SCALE: 4/1



8 LOADED 4 DETAIL
SCALE: 4/1



8 LOADED 6 DETAIL
SCALE: 4/1



8 LOADED 8 DETAIL
SCALE: 4/1



NOTE:
4 & 8 PORT REAR SHIELDS
ARE AVAILABLE WITH (1)
CENTERED GROUND TAB
(SEE CHARTS ON SHEETS 5 & 6)

SUGGESTED P.C. BOARD LAYOUT
COMPONENT SIDE OF BOARD
8 PORT, 8 LOADED 8
(SHIELDED) LAYOUT SHOWN
(SNAP-FIT VERSIONS)

NOTES:
1. RECOMMENDED PCB THICKNESS: .062±.005/(1.57±0.13)

| NUMBER OF PORTS | DIM. D |
|-----------------|----------------|
| 2 | 1.000 (25.40) |
| 4 | 2.100 (53.34) |
| 6 | 3.200 (81.28) |
| 8 | 4.300 (109.32) |

| SEE SHEET 1 EC NO: UCP2009-0477 DRWN:JBELL 2008/09/05 CHKD:JBELL 2008/09/11 APPR:FSM/TH 2008/09/11 K1 | QUALITY SYMBOLS ▽=0 ▽=0 | GENERAL TOLERANCES (UNLESS SPECIFIED) <table border="1"> <thead> <tr> <th></th> <th>mm</th> <th>INCH</th> </tr> </thead> <tbody> <tr> <td>4 PLACES</td> <td>± .---</td> <td>± .---</td> </tr> <tr> <td>3 PLACES</td> <td>± .---</td> <td>± .015</td> </tr> <tr> <td>2 PLACES</td> <td>± 0.38</td> <td>± .---</td> </tr> <tr> <td>1 PLACE</td> <td>± .---</td> <td>± .---</td> </tr> </tbody> </table> | | mm | INCH | 4 PLACES | ± .--- | ± .--- | 3 PLACES | ± .--- | ± .015 | 2 PLACES | ± 0.38 | ± .--- | 1 PLACE | ± .--- | ± .--- | DIMENSION STYLE IN/MM | SCALE 2:1 | DESIGN UNITS INCH | THIRD ANGLE PROJECTION |
|--|-------------------------------|--|---------------------------|--------------------------|--|----------|--------|--------|----------|--------|--------|----------|--------|--------|---------|--------|--------|--------------------------|--------------|----------------------|------------------------|
| | | mm | INCH | | | | | | | | | | | | | | | | | | |
| | 4 PLACES | ± .--- | ± .--- | | | | | | | | | | | | | | | | | | |
| | 3 PLACES | ± .--- | ± .015 | | | | | | | | | | | | | | | | | | |
| 2 PLACES | ± 0.38 | ± .--- | | | | | | | | | | | | | | | | | | | |
| 1 PLACE | ± .--- | ± .--- | | | | | | | | | | | | | | | | | | | |
| DRAFT WHERE APPLICABLE MUST REMAIN WITHIN DIMENSIONS | | MATERIAL NO. SEE SHT 3 | DRAWN BY JTR | DATE 1993/10/18 | TITLE LOW PROFILE GANGED, RIGHT ANGLE MODULAR JACK ASSEMBLY | | | | | | | | | | | | | | | | |
| | | APPROVED BY RAS | DATE 1993/10/18 | MOLEX MOLEX INCORPORATED | | | | | | | | | | | | | | | | | |
| | | SIZE C | DOCUMENT NO. SDA-43223 | | SHEET NO. 6 OF 6 | | | | | | | | | | | | | | | | |