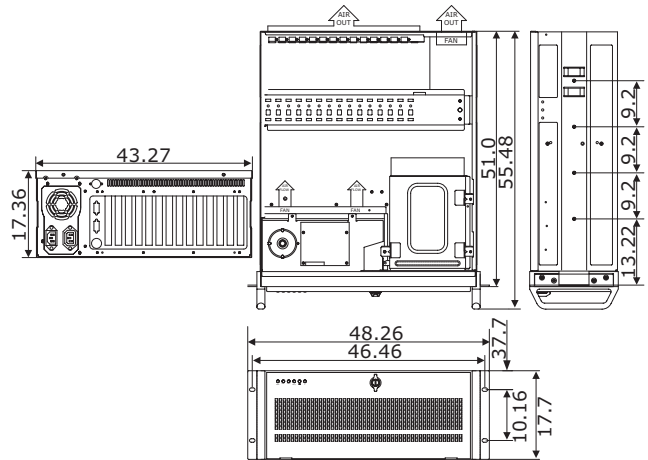




RC-191

19" 4U High, Full-size Rackmount Chassis with 14-slot Backplane, 250W P/S

Industrial Chassis



Features

- ◆ 19" 4U high, rackmount chassis compliant to EIA RS-310C standard
- ◆ Provides 250W power supply
- ◆ With height adjustable anti-vibration crowbar securing plug-in cards in place
- ◆ One pre-wired PC/AT keyboard connector on front panel
- ◆ 5.25" CD-ROM space x 3, 3.5" FDD space x 1 on front panel; 3.5" HDD space x 1
- ◆ High efficiency ball bearing cooling fan
- ◆ FCC/CE industrial Class A approval

Specifications

Chassis

Meets EIA RS-310C 19" 4U high, rackmount standard

Drive Space

5.25" CD-ROM space x 3, 3.5" FDD space x 1 on front panel; 3.5" HDD space x 1

Thermal Solution

High efficiency ball bearing cooling fan x 1 or optional x 2

Altitude

15,000 feet

Power Supply

250W power supply

Temperature

0~+50°C (operating); 0~+70°C (storage)

Humidity

5~95%; non-condensing

Safety Standard

FCC/CE on chassis and FCC/CE/UL/TUV on power supply

Dimensions (L x W x H)

51.0 x 43.27 x 17.7 cm

Ordering Guide

- ◆ **RC-191B**
19" 4U High, Full-size Rackmount Chassis
- ◆ **RC-191BA-14S**
RC-191B Chassis w/HPCI-14S B/P, MPI-925A AT P/S
- ◆ **RC-191BB-14S**
RC-191B Chassis w/HPCI-14S B/P, ZKS-250AE AT P/S