

ASSP

# POWER MANAGEMENT SWITCH

## MB3802

### ■ DESCRIPTION

The MB3802 is a power management switch incorporating two switch circuits with extremely low ON resistance.

NO diode is required because the switch block is configured with an N-ch MOS to prevent reverse current at switch OFF.

The MB3802 starts at a very low voltage (typical  $V_{IN} > 2.2V$ ) and a stable ON resistance is obtained irrespective of the switching voltage because the internal DC/DC converter applies the optimum voltage for the N-ch MOS gate at switch ON.

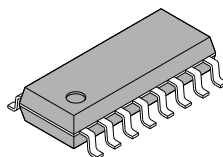
Moreover, the load-side capacitor is discharged at switch OFF, and the power supply for various power supply systems is switched efficiently.

### ■ FEATURES

- Extremely low ON resistance:  
 $R_{ON} = 0.12\Omega$  (typical)  
 $R_{ON} = 0.06\Omega$  (typical at parallel connection)
- Reverse current protection at load side at switch OFF
- Operation start at low input voltage:  $V_{IN} > 2.2V$  (typical)
- Low power consumption  
At switch OFF:  $I_{IN}$  (input voltage) =  $0 \mu A$ ,  $V_{IN} = 0V$   
At switch ON:  $I_{IN} = 230 \mu A$ ,  $V_{IN} = 5V$
- Load discharge function
- External control of ON/OFF time
- Break-before-make operation

### ■ PACKAGE

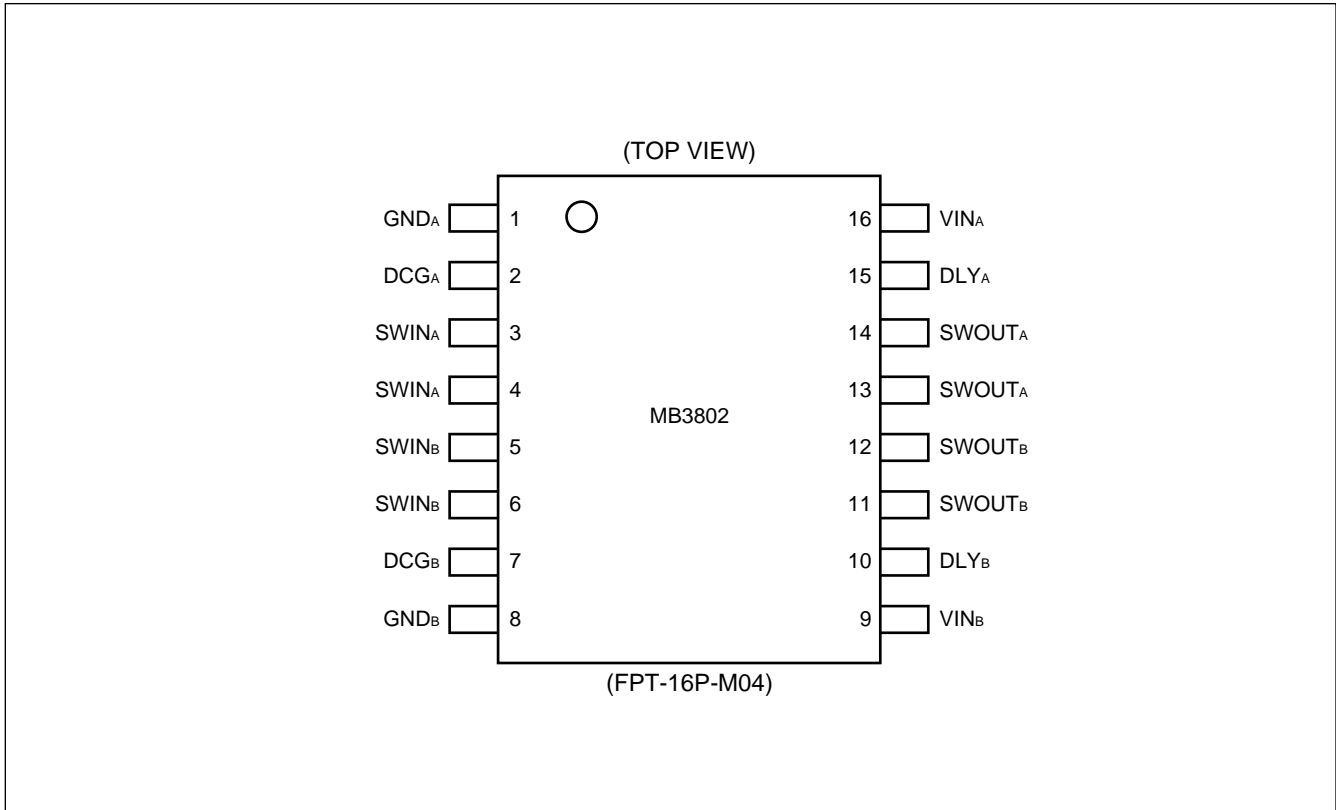
Plastic SOP, 16 pin



(FPT-16P-M04)

# MB3802

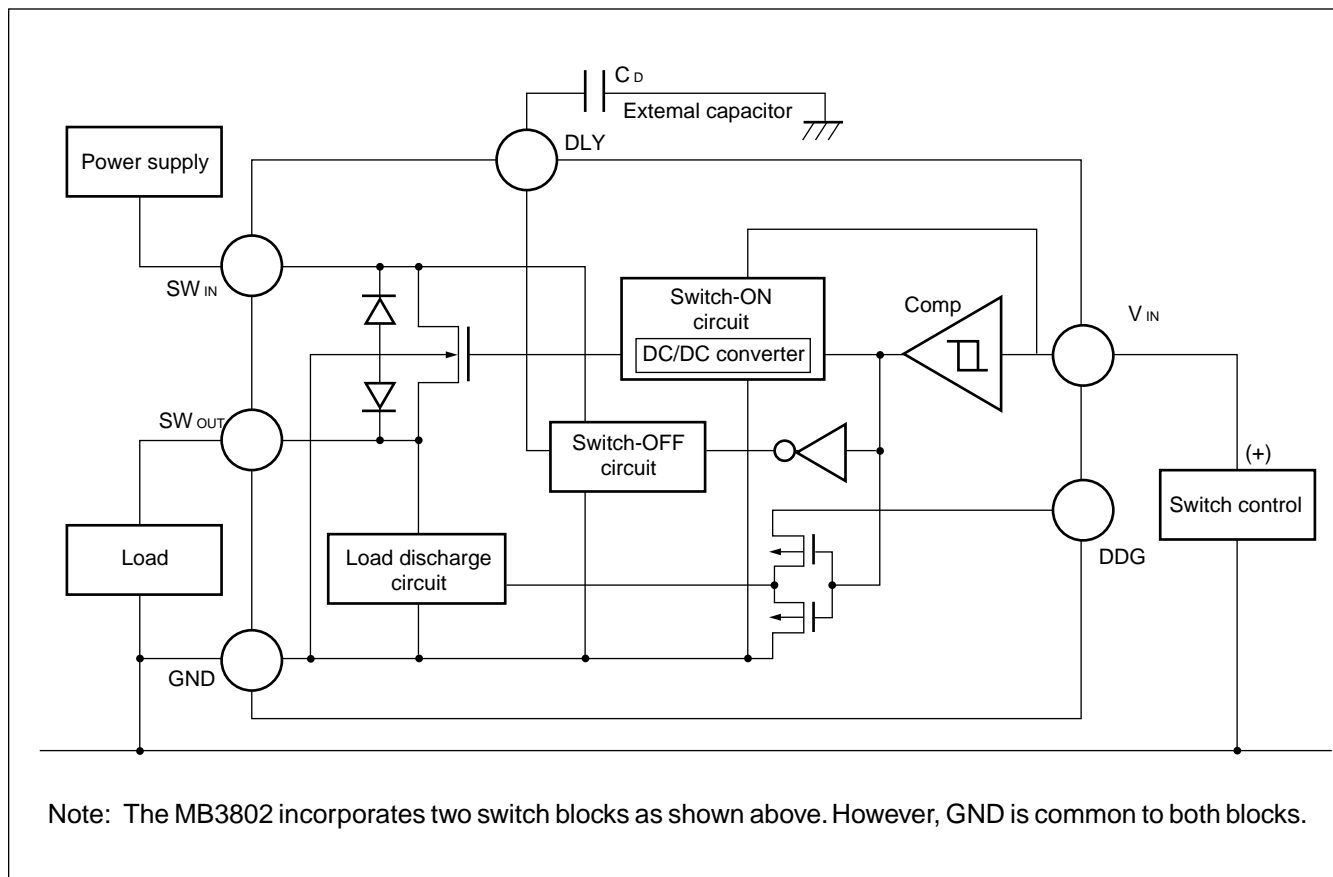
## ■ PIN ASSIGNMENT



## ■ PIN DESCRIPTION (SCSI Interface)

Pin No.	Pin symbol	Description
16	VIN <sub>A</sub>	These pins switch ON at High level and OFF at Low level. They serve as power-supply pins for the DC/DC converter to generate the switch gate voltage.
9	VIN <sub>B</sub>	
3, 4	SWIN <sub>A</sub>	<b>Switch Input pins:</b> Two common pins are assigned to SWIN <sub>A</sub> and SWIN <sub>B</sub> . They serve as power-supply pins for the switch-OFF circuit which starts at 1.5V min.
5, 6	SWIN <sub>B</sub>	
13, 14	SWOUT <sub>A</sub>	<b>Switch output pins:</b> Two common pins are assigned to SWOUT <sub>A</sub> and SWOUT <sub>B</sub> . When DCG <sub>A</sub> and DCG <sub>B</sub> are High level, the load-discharge circuit starts discharge via these pins.
11, 12	SWOUT <sub>B</sub>	
2	DCG <sub>A</sub>	<b>SWOUT<sub>A</sub>/SWOUT<sub>B</sub>-side discharge control pins:</b> These pins are used to discharge from the load-side capacitor at switch OFF. Connect them to GND when discharge is not required.
7	DCG <sub>B</sub>	
15	DLY <sub>A</sub>	<b>Switch-ON/OFF control pins:</b> The ON/OFF time can be delayed by connecting an external capacitor. Both times are delayed about three fold by installing a 500-pF capacitor between these pins and GND. Leave these pins open when they are not used. 10V may be generated when these pins are open. To keep these pins at high impedance, take care to mount the device so that no current leaks (less than 0.1 μA).
10	DLY <sub>B</sub>	
1	GND <sub>A</sub>	<b>Ground pins for input threshold reference voltage and load discharge:</b> When two switching circuits are used, ground both GND pins.
8	GND <sub>B</sub>	

## ■ BLOCK DIAGRAM AND EXTERNAL CONNECTIONS



## ■ BLOCK DESCRIPTION

When  $V_{IN}$  exceeds 2.2V, the Comp. starts driving the DC/DC converter to switch the N-ch MOS and applies the optimum voltage for the switch gate.

The DC/DC converter boosts the  $V_{IN}$  voltage.

When  $V_{IN}$  is below 2.1V, the Comp. stops the DC/DC converter, starts the switch-OFF circuit, and discharges the voltage from the switch gate to GND. The switch-OFF circuit is powered from the  $SW_{IN}$  and consumes 0.4 $\mu$ A at 5V.

Since the N-ch MOS back gate is connected to GND, switch-OFF reverse current is prevented irrespective of the High level state between  $SW_{IN}$  and  $SW_{OUT}$ .

The load discharge circuit installed between  $SW_{OUT}$  and GND is powered by the DCG pin, and discharges the load-side capacitor at switch OFF. When it is not necessary to discharge the load, connect the DCG pin to GND.

The DLY pins are for connection to an external capacitor to delay the switch-ON/OFF time. The surge current at the load side is cut at power-on by controlling the switch-ON time. The switch-ON time depends on the boot time of the DC/DC converter. Consequently, when the  $V_{IN}$  level is high and the  $SW_{IN}$  level is low, the switch-ON time is small; when the  $SW_{IN}$  level is high, the switch-OFF time is small.

# MB3802

## ■ ABSOLUTE MAXIMUM RATING

(Ta = +25°C)

Parameter	Symbol	Condition	Ratings	Unit
Input Voltage	V <sub>IN</sub>	—	-0.3 to 7.0	V
Switching voltage	V <sub>SW</sub>	At switch OFF	-0.3 to 7.0	V
		At switch ON	-0.3 to 7.0	
Switching current	I <sub>SW</sub>	At switch-ON peak	3.6	A
Permissible loss	P <sub>D</sub>	Ta ≤ +75°C	290	mW
Storage Temperature	P <sub>STG</sub>	—	-55 to +125	°C

## ■ RECOMMENDED OPERATING CONDITIONS

Parameter	Symbol	Conditions	Ratings			Unit
			Min.	Typical	Max.	
Input voltage	V <sub>IN</sub>	—	0	—	6.0	V
Switching level	V <sub>SWIN</sub>	At switch ON	0	—	6.0	V
		At switch OFF	0	—	6.0	
Switching current	I <sub>SW</sub>	At switch on (for single switch)	—	—	1.2	A
Gate-pin connection capacitance	C <sub>D</sub>	—	—	—	10	nF
Gate-pin mounting leak current	I <sub>DLY</sub>	—	-0.1	—	0.1	μA
Input voltage to load discharge circuit	V <sub>DCCG</sub>	V <sub>IN</sub> = 3V, 5V	2.5	—	6.0	V
Operating temperature	T <sub>op</sub>	—	-40	—	+7.5	°C

## ■ ELECTRICAL CHARACTERISTICS

### 1. DC Characteristics

(Ta = +25°C)

Parameter	Symbol	Condition	Ratings			Unit
			Min	Typ	Max	
Input current	I <sub>IN1</sub>	V <sub>IN</sub> = 0V	—	0	—	μA
	I <sub>IN2</sub>	V <sub>IN</sub> = 3V	—	100	200	μA
		V <sub>IN</sub> = 5V	—	230	460	μV
Switching resistance	R <sub>ON1</sub>	V <sub>IN</sub> = 3V, I <sub>SW</sub> = 0.5A, V <sub>SWIN</sub> = 3V	—	120	160	mΩ
	R <sub>ON2</sub>	V <sub>IN</sub> = 5V, I <sub>SW</sub> = 0.5A, V <sub>SWIN</sub> = 3V	—	130	175	mΩ
Switch-OFF leak current	I <sub>L</sub>	V <sub>IN</sub> = 0V, V <sub>SWIN</sub> = 6V	—	0.5	2.0	μA
Input threshold voltage	V <sub>TH1</sub>	At switch ON	2.0	2.2	2.4	V
	V <sub>TH2</sub>	At switch OFF	1.9	2.1	2.3	V
Input hysteresis width	V <sub>HYS</sub>	—	50	100	—	mV
Switch resistance	R <sub>ON</sub>	V <sub>IN</sub> = 3V, 5V, I <sub>SW</sub> = 0.5A Ta = -40° to +75°C	—	—	210	mΩ
Switch charge resistance	R <sub>DCG1</sub>	V <sub>SWOUT</sub> = 3V, V <sub>DCG</sub> = 3V	—	750	1500	Ω
	R <sub>DCG2</sub>	V <sub>SWOUT</sub> = 5V, V <sub>DCG</sub> = 5V	—	500	1000	Ω
Input voltage to switch charge circuit	I <sub>DCG</sub>	V <sub>DCG</sub> = 5V	—	0	2	μA

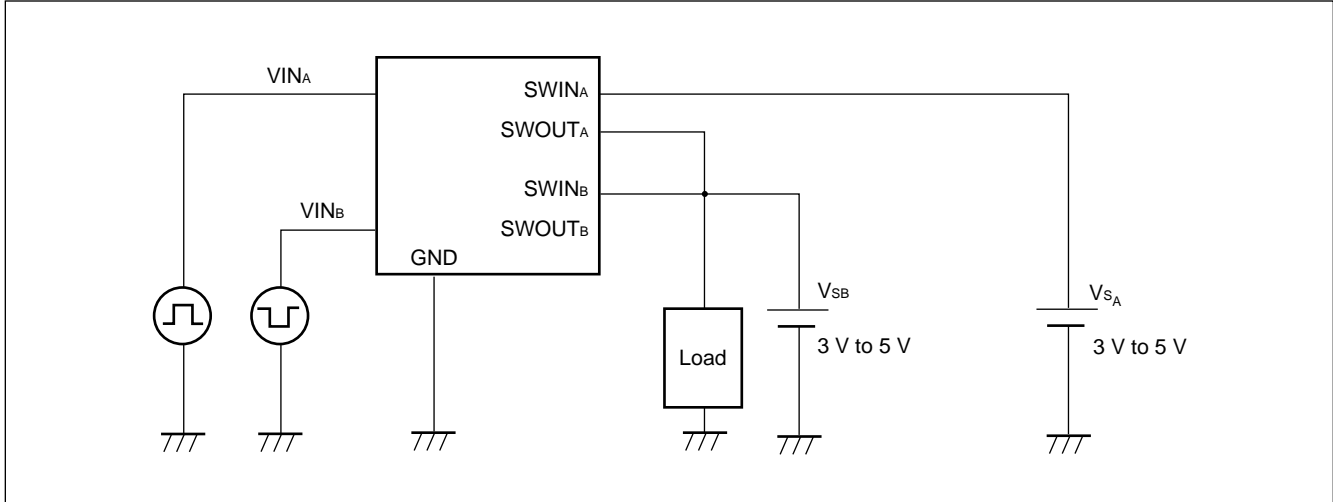
### 2. AC Characteristics

(Ta = +25°C)

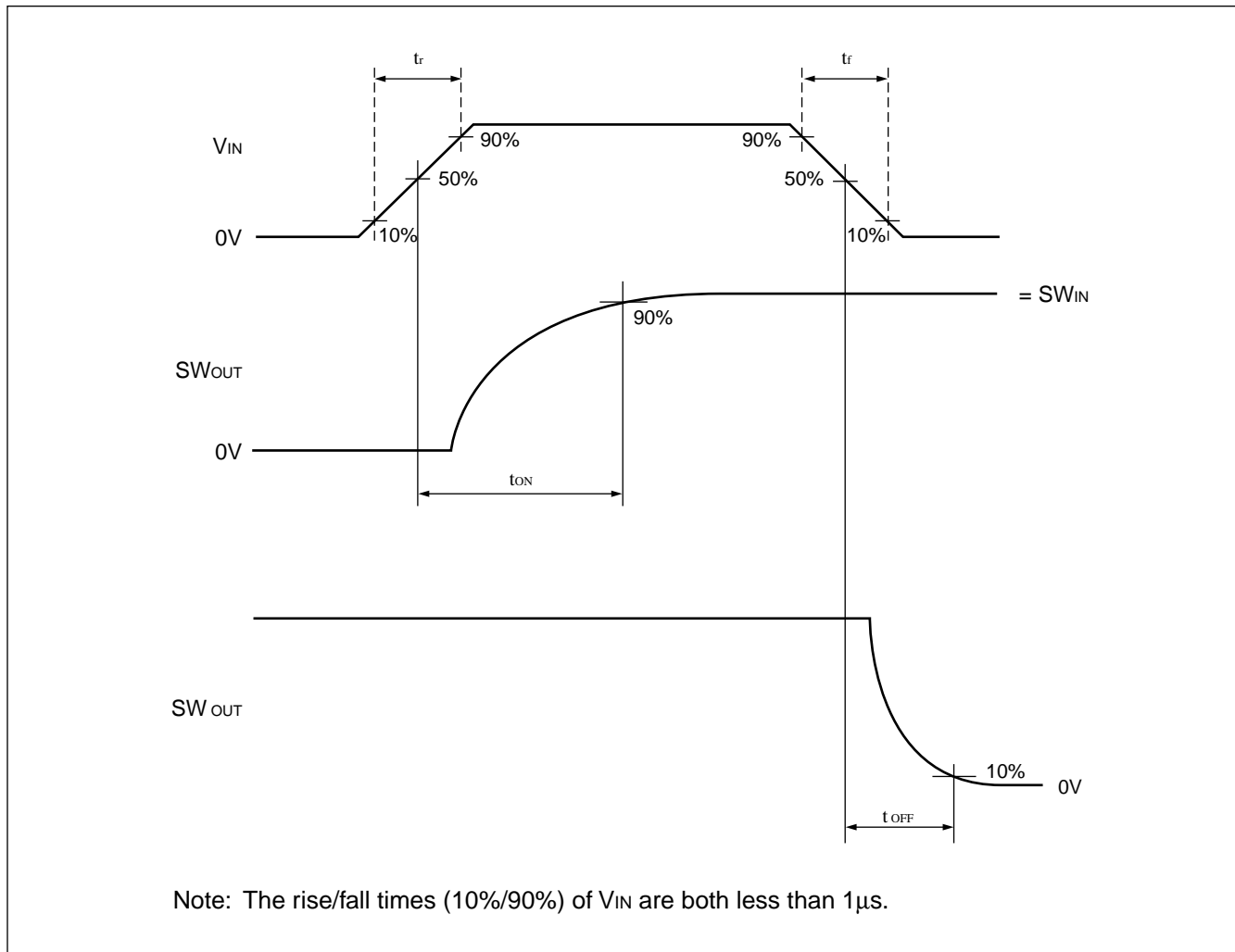
Parameter	Symbol	Condition	Ratings			Unit
			Min	Typ	Max	
Switch-ON time	t <sub>ON1</sub>	V <sub>IN</sub> = 0V → 3V, V <sub>SWIN</sub> = 3V	100	300	900	μs
	t <sub>ON2</sub>	V <sub>IN</sub> = 0V → 5V, V <sub>SWIN</sub> = 5V	50	150	450	μs
Switch OFF time	t <sub>OFF1</sub>	V <sub>IN</sub> = 3V → 0V, V <sub>SWIN</sub> = 3V	20	60	180	μs
	t <sub>OFF2</sub>	V <sub>IN</sub> = 5V → 0V, V <sub>SWIN</sub> = 5V	10	30	150	μs
Switch ON/OFF time lag	t <sub>HYS1</sub>	V <sub>IN</sub> = 3V → 0V, V <sub>SWIN</sub> = 3V	80	240	720	μs
	t <sub>HYS2</sub>	V <sub>IN</sub> = 5V → 0V, V <sub>SWIN</sub> = 5V	40	120	300	μs

## ■ AC CHARACTERISTIC TEST DIAGRAMS

### 1. Test Condition

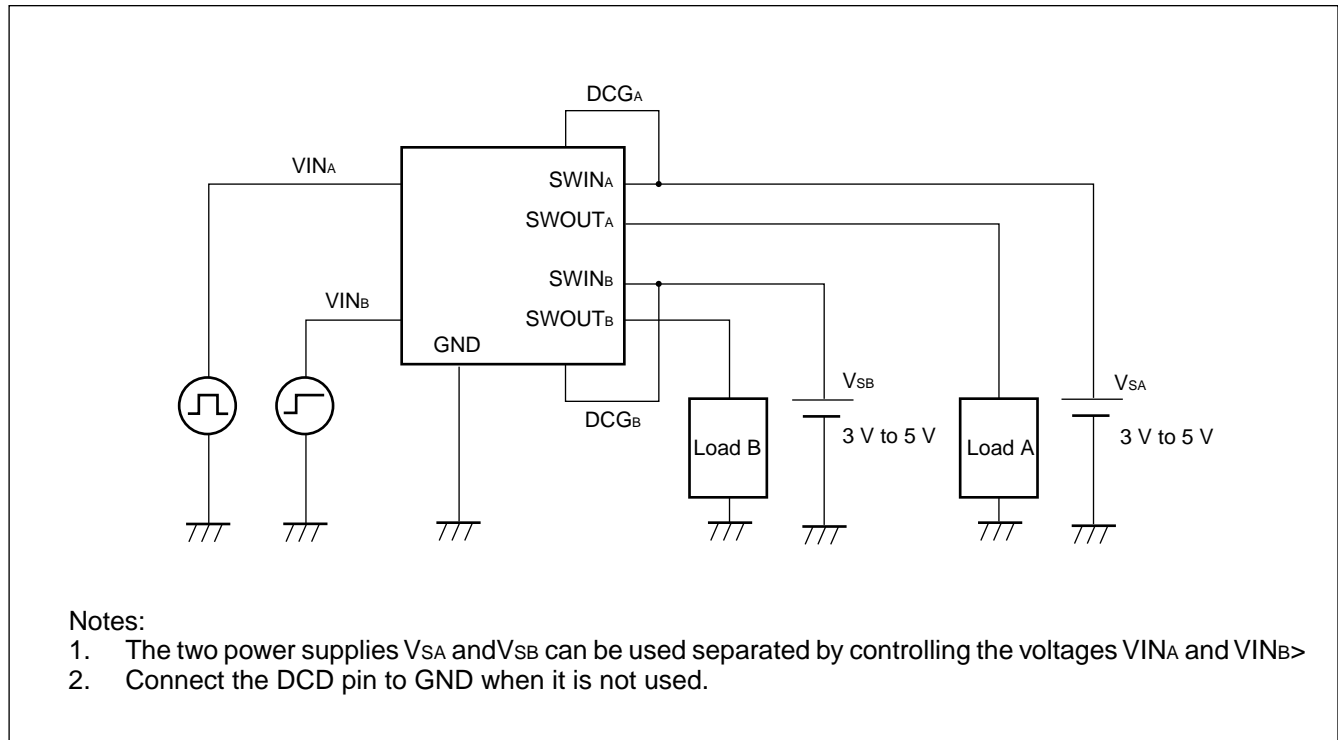


### 2. Switch-ON/OFF Timing Chart

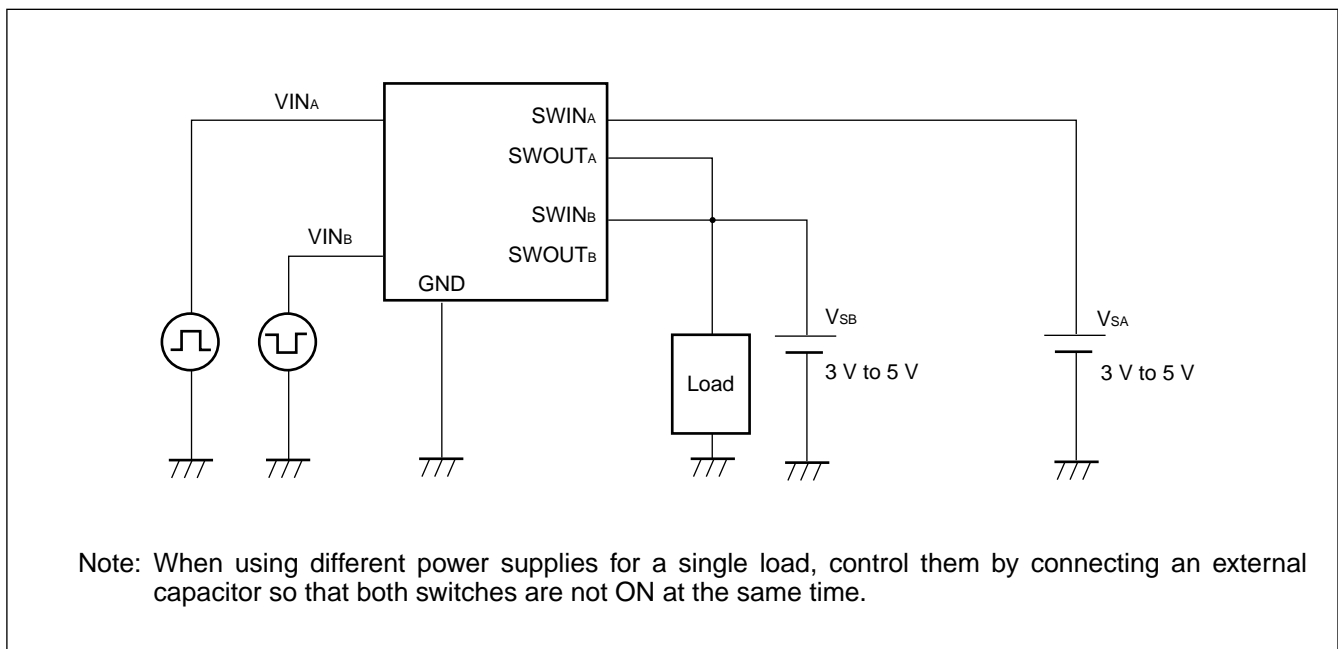


## ■ APPLICATIONS

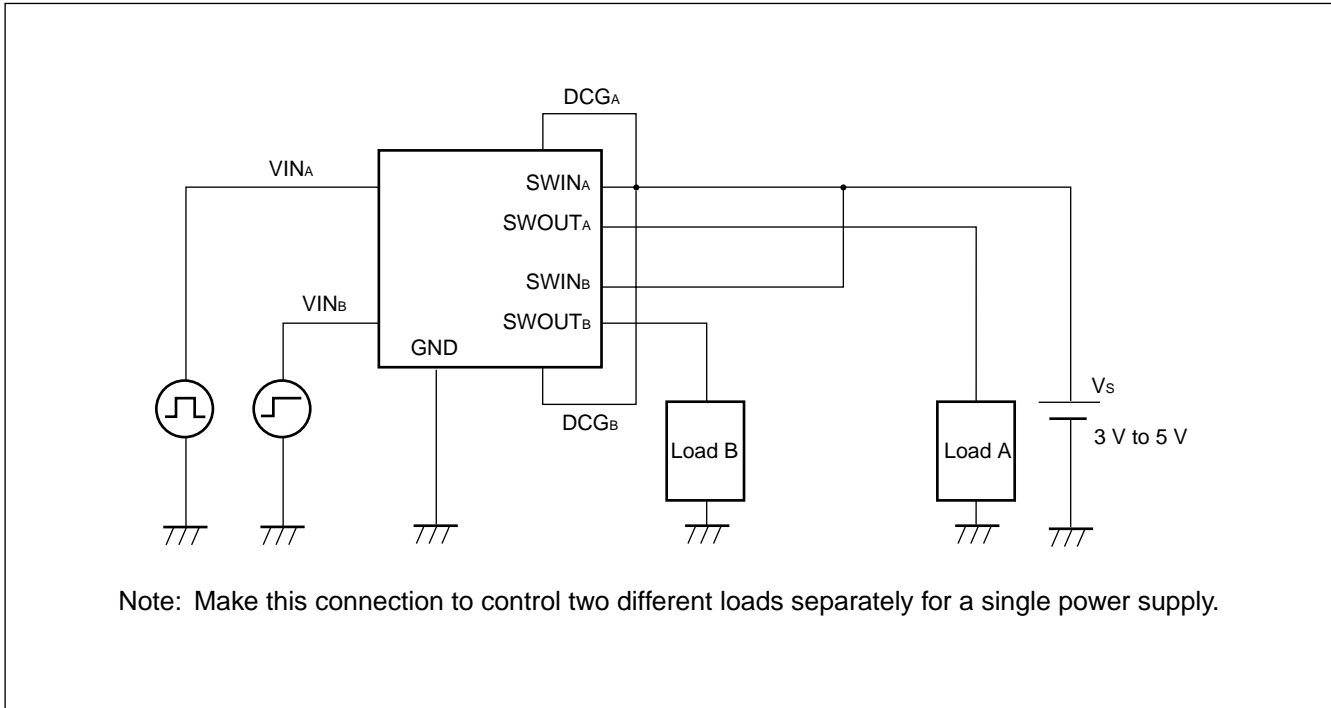
### 1. Separate Use of Two Switching Circuits



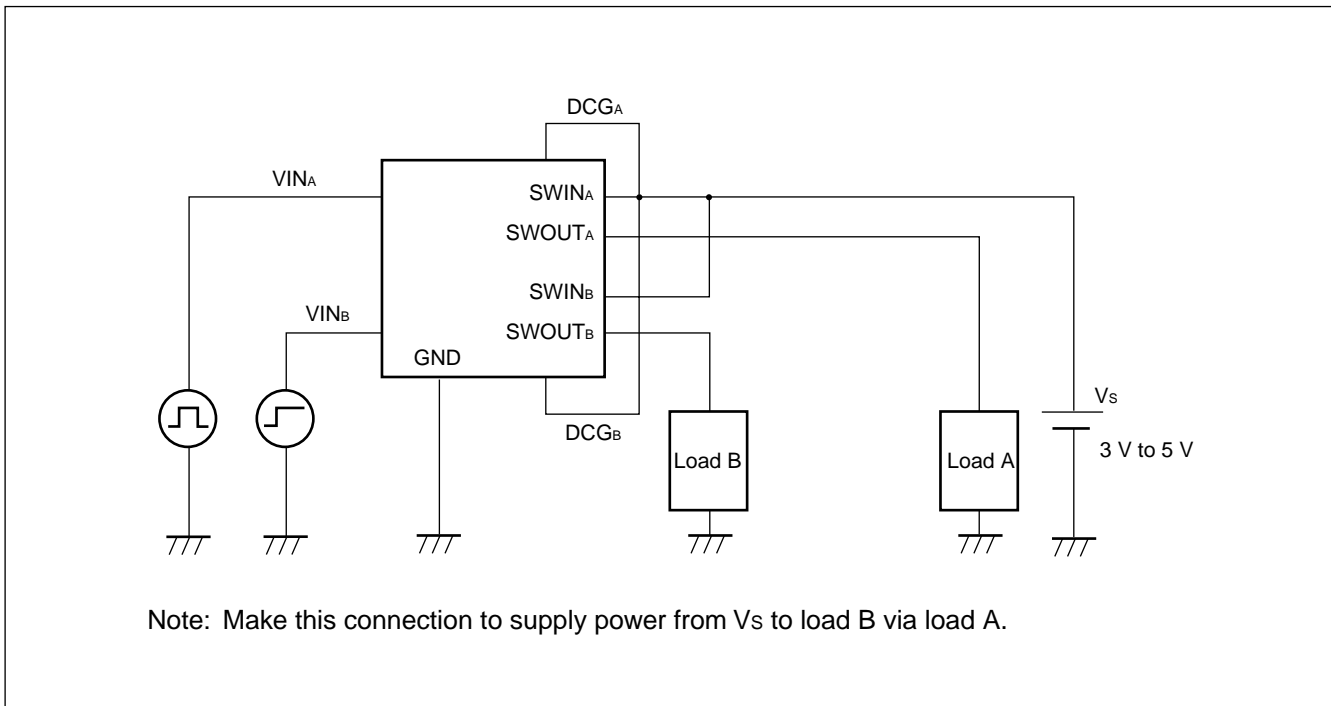
### 2. Switching Two Power Supplies



## 3. Switching Two Loads

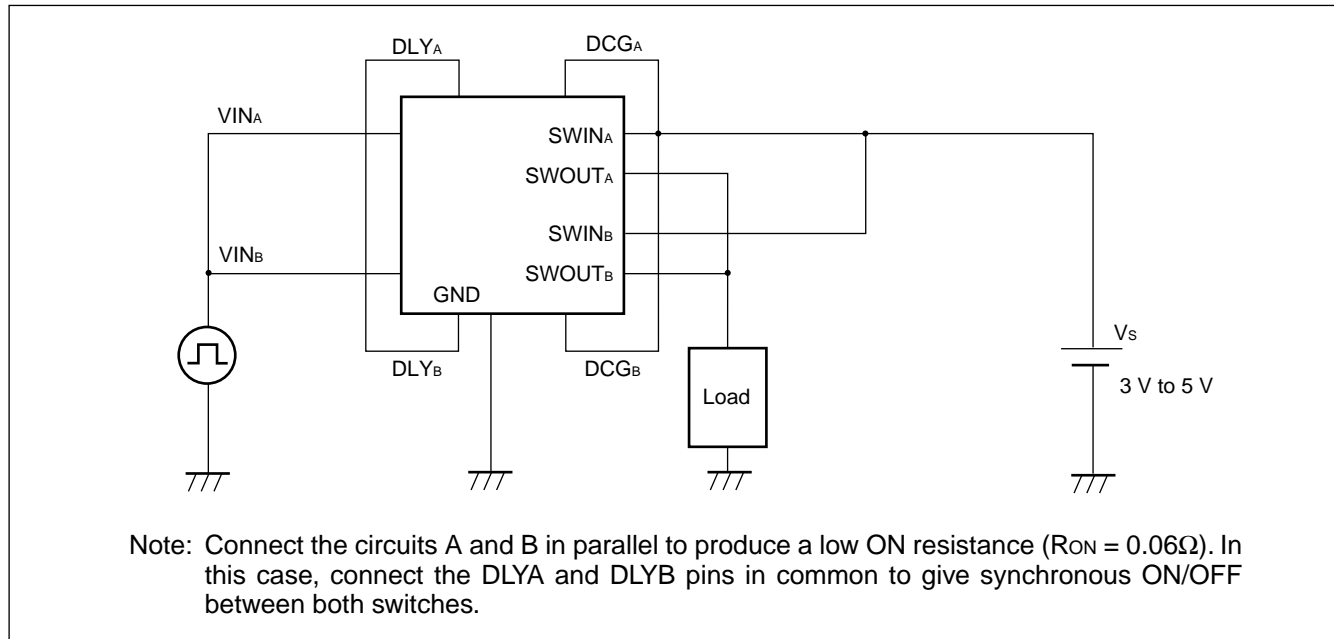


## 4. Connecting Serial Switches

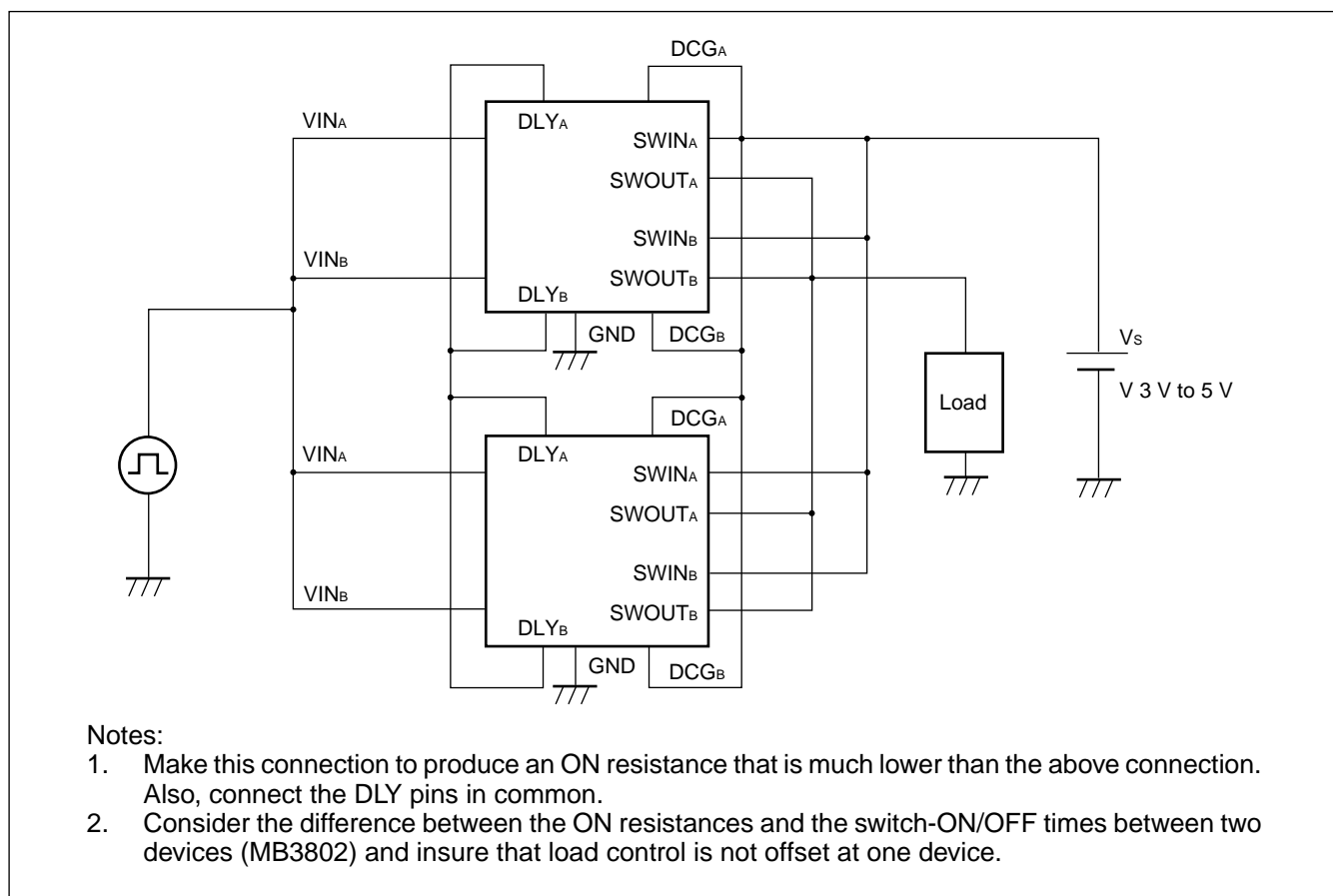




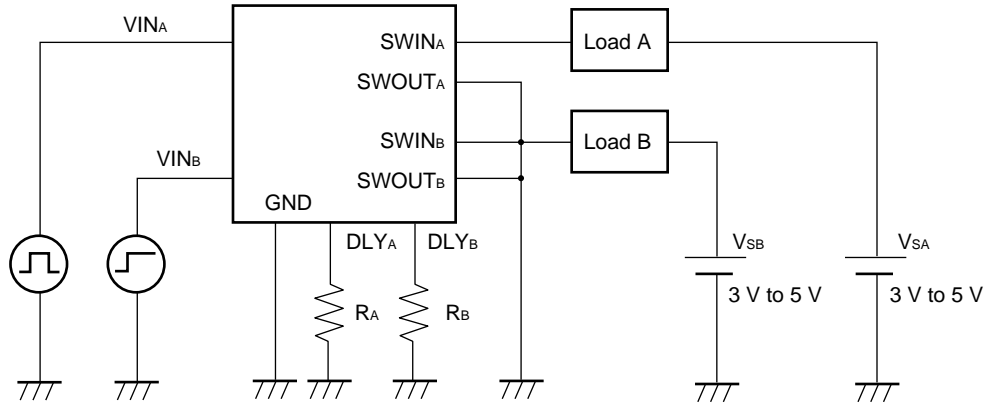
## 5. Connecting Parallel Switches



## 6. 25% ON Resistance



## 7. Low-side Switch



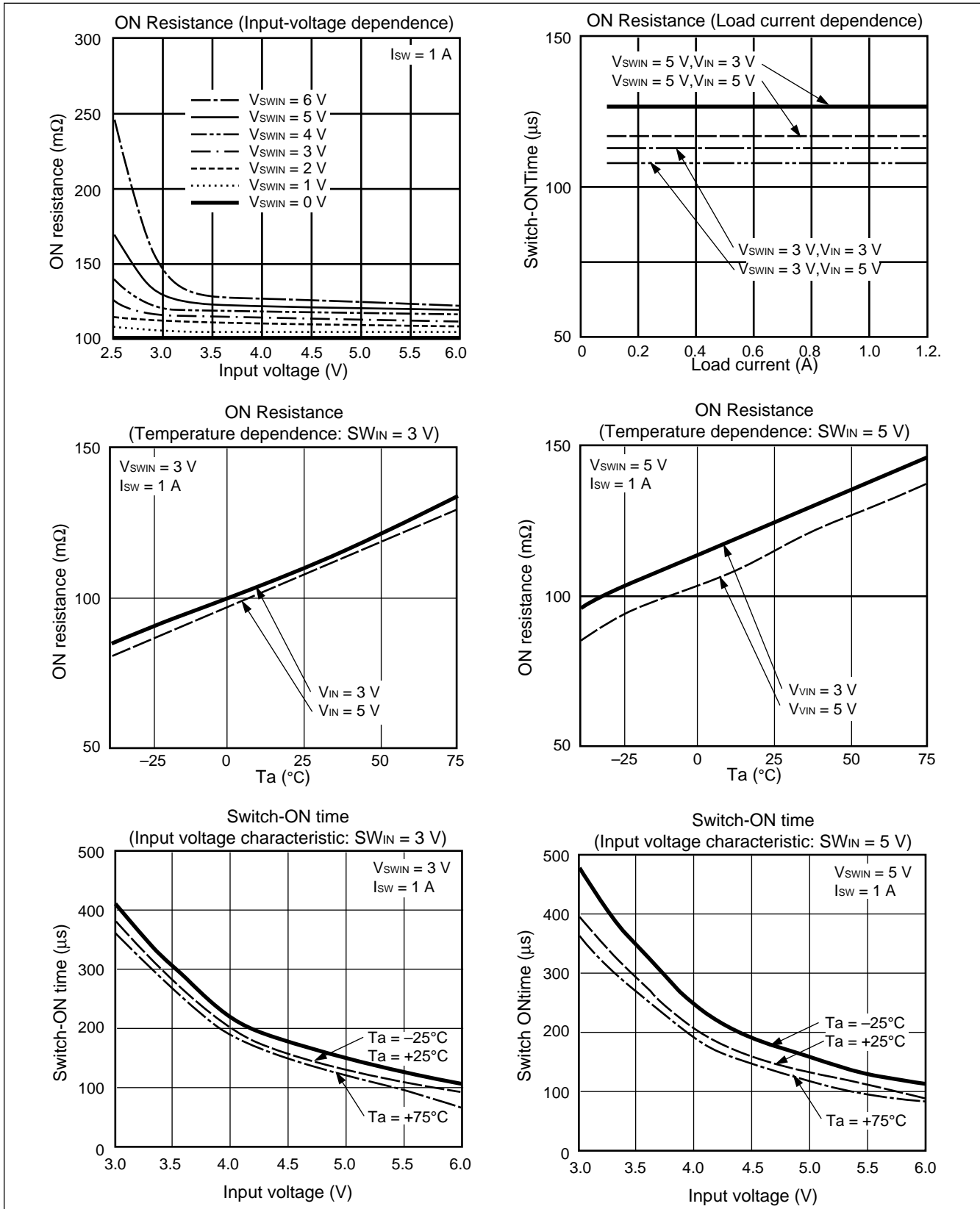
	$V_{IN} = 3\text{ V}, V_S = 3\text{ V}$	$V_{IN} = 5\text{ V}, V_S = 5\text{ V}$
Switch-ON time	80 $\mu\text{s}$	45 $\mu\text{s}$
Switch-OFF time	5.0 ms	3.5 ms

$R_A$  and  $R_B = 10\text{ M}\Omega$

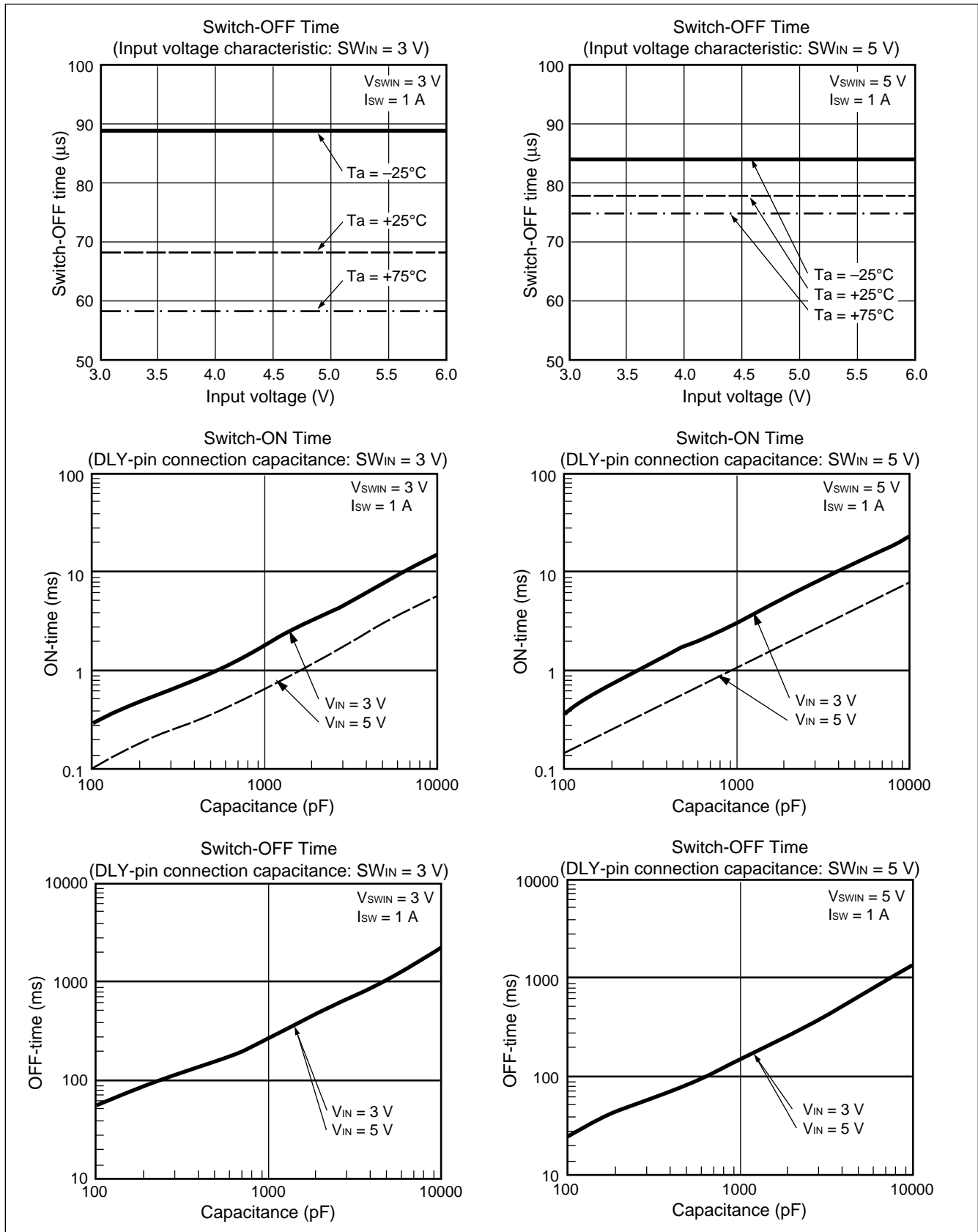
### Notes:

1. Make this connection to control the switch ON/OFF at the lower load side.
2. To assist the switch-OFF circuit operation driven by the  $SW_{IN}$  power supply, connect high resistances ( $R_A$  and  $R_B = 5$  to  $10\text{ M}\Omega$ ) to the DLY pins without overloading the DC/DC converter.
3. At this connection, the switch-OFF time is longer than the switch-ON time.

## ■ TYPICAL PERFORMANCE CHARACTERISTICS

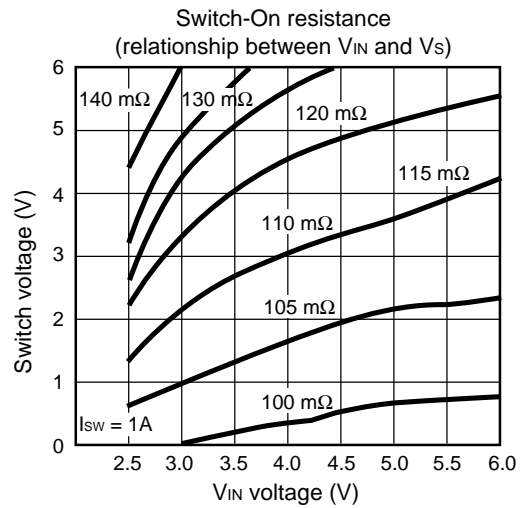
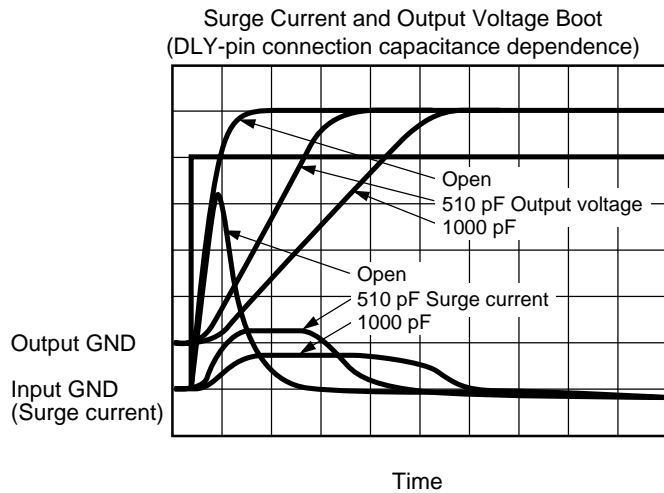
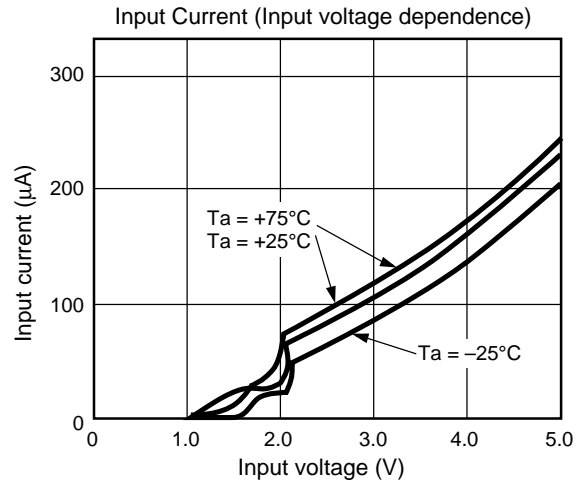
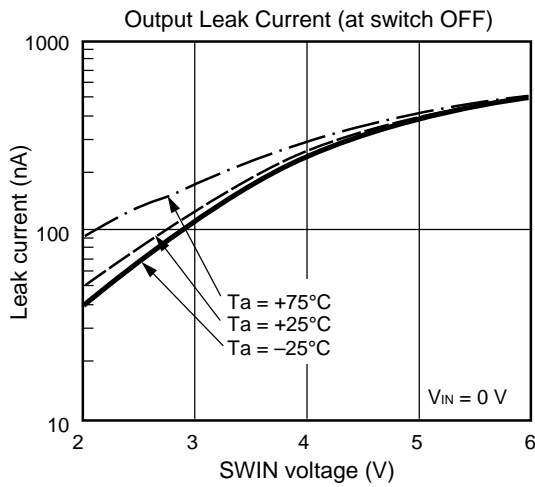
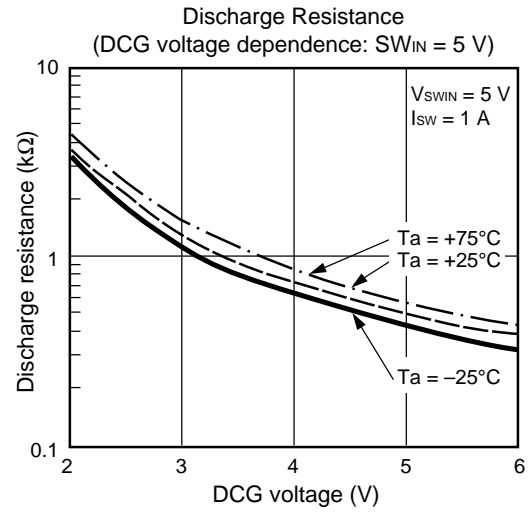
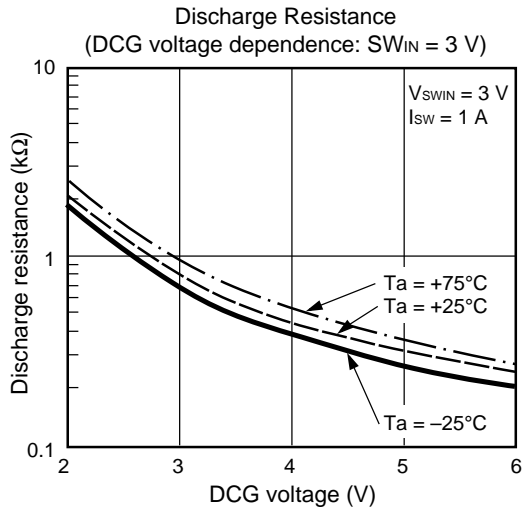


(Continued)



(Continued)

(Continued)



$V_{IN} = 0 \rightarrow 5\text{ V}$

$SW_{IN} = 5\text{ V}$

Load capacitance = 47  $\mu\text{F}$

V: 200 mA/div. (surge current)

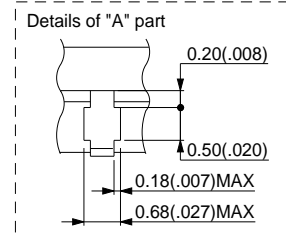
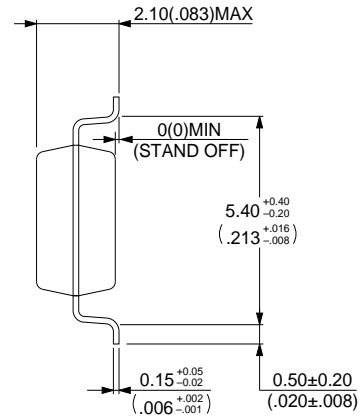
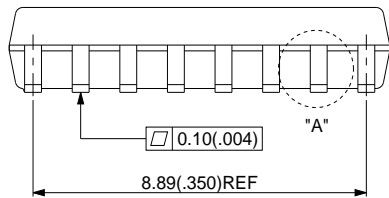
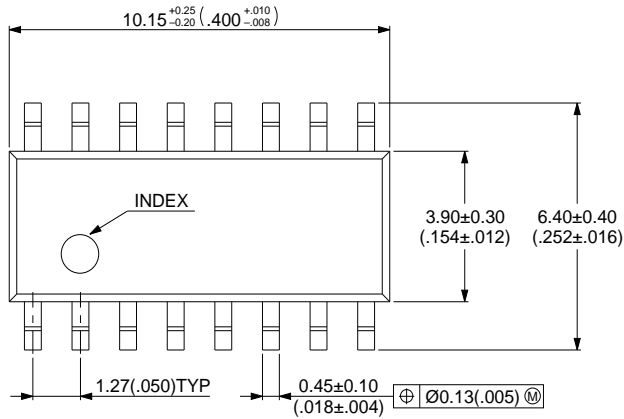
V: 1.0 V/div. (output voltage)

H: 200  $\mu\text{s}$ /div. (time axis)

# MB3802

## ■ PACKAGE DIMENSIONS

16 pins, Plastic SOP  
(FPT-16P-M04)



© 1994 FUJITSU LIMITED F16012S-4C-4

Dimensions in mm(inches).

# FUJITSU LIMITED

*For further information please contact:*

## **Japan**

FUJITSU LIMITED  
Corporate Global Business Support Division  
Electronic Devices  
KAWASAKI PLANT, 4-1-1, Kamikodanaka  
Nakahara-ku, Kawasaki-shi  
Kanagawa 211-88, Japan  
Tel: (044) 754-3763  
Fax: (044) 754-3329

## **North and South America**

FUJITSU MICROELECTRONICS, INC.  
Semiconductor Division  
3545 North First Street  
San Jose, CA 95134-1804, U.S.A.  
Tel: (408) 922-9000  
Fax: (408) 432-9044/9045

## **Europe**

FUJITSU MIKROELEKTRONIK GmbH  
Am Siebenstein 6-10  
63303 Dreieich-Buchsschlag  
Germany  
Tel: (06103) 690-0  
Fax: (06103) 690-122

## **Asia Pacific**

FUJITSU MICROELECTRONICS ASIA PTE. LIMITED  
#05-08, 151 Lorong Chuan  
New Tech Park  
Singapore 556741  
Tel: (65) 281-0770  
Fax: (65) 281-0220

All Rights Reserved.

The contents of this document are subject to change without notice. Customers are advised to consult with FUJITSU sales representatives before ordering.

The information and circuit diagrams in this document presented as examples of semiconductor device applications, and are not intended to be incorporated in devices for actual use. Also, FUJITSU is unable to assume responsibility for infringement of any patent rights or other rights of third parties arising from the use of this information or circuit diagrams.

FUJITSU semiconductor devices are intended for use in standard applications (computers, office automation and other office equipment, industrial, communications, and measurement equipment, personal or household devices, etc.).

### **CAUTION:**

Customers considering the use of our products in special applications where failure or abnormal operation may directly affect human lives or cause physical injury or property damage, or where extremely high levels of reliability are demanded (such as aerospace systems, atomic energy controls, sea floor repeaters, vehicle operating controls, medical devices for life support, etc.) are requested to consult with FUJITSU sales representatives before such use. The company will not be responsible for damages arising from such use without prior approval.

Any semiconductor devices have inherently a certain rate of failure. You must protect against injury, damage or loss from such failures by incorporating safety design measures into your facility and equipment such as redundancy, fire protection, and prevention of over-current levels and other abnormal operating conditions.

If any products described in this document represent goods or technologies subject to certain restrictions on export under the Foreign Exchange and Foreign Trade Control Law of Japan, the prior authorization by Japanese government should be required for export of those products from Japan.