

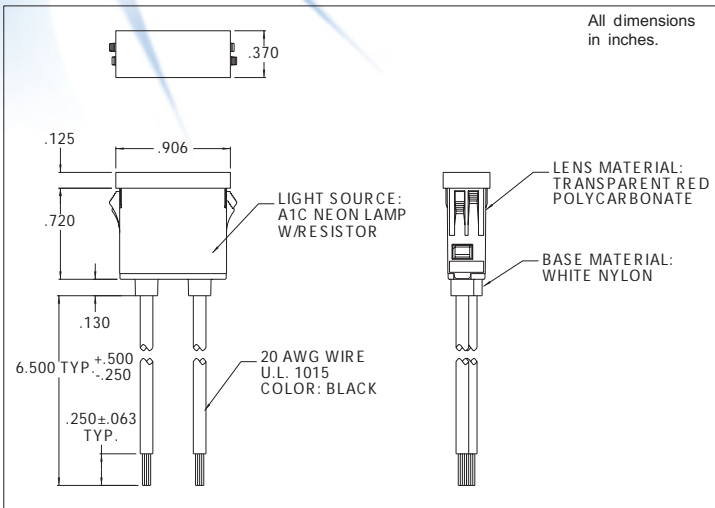
WORLDWIDE



3620D Series Non-Relampable Neon Indicator Light

3620D Series Non-Relampable Neon Indicator Light

DESCRIPTION AND FEATURES



Mounting: Will snap-fit into Ø.020/.130 panel. Use speednut SN1287 for other panel thicknesses.

Wire Leads: No.24 AWG (105°C), lead color: red and white, 6"long, stripped 1/2".

Lens: Tinted transparent polycarbonate.

Lens Color	Neon
	Model No. (105-125VAC)
Red	3620D1
Amber	3620D3
Yellow	3620D7
Lamp used	A1C +Resistor

Underwriters Laboratories (UL) File No. E20325
Canadian Standards Association (CSA) File No. LR13346



America:
CML Innovative Technologies, Inc.
147 Central Avenue
Hackensack, NJ 07601 -USA
Tel:1-201-489 -8989
Fax:1-201-489 -6911
e-mail:americas@cml-it.com

Europe:
CML Technologies GmbH &Co.KG
Robert-Bunsen-Str.1
67098 Bad Dürkheim -GERMANY
Tel:+49 (0)6322 9567-0
Fax:+49 (0)6322 9567-88
e-mail:europa@cml-it.com

Asia:
CML Innovative Technologies, Inc.
61 Aida Street
Singapore 459975
Tel:(65)9630 -5003
e-mail:asia@cml-it.com