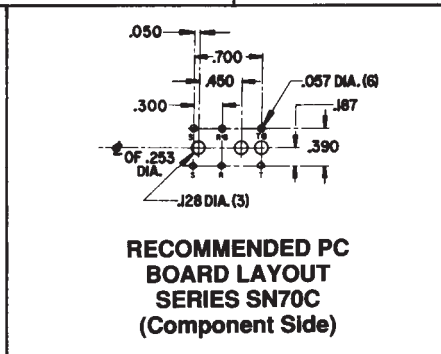
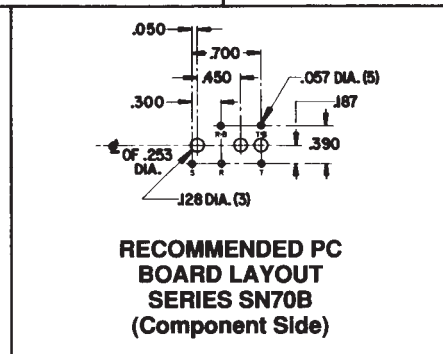
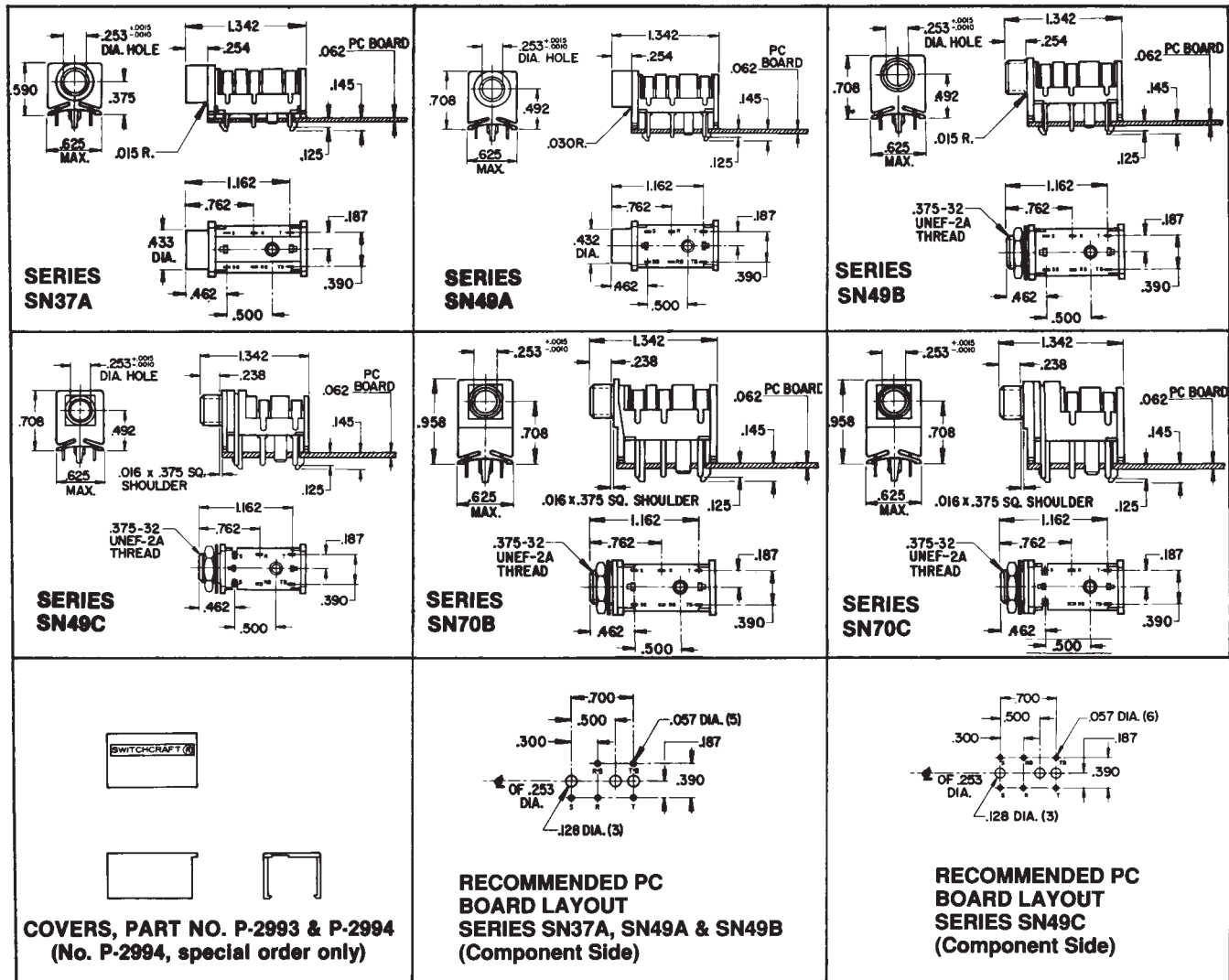
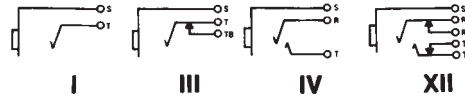


## 1/4" RIGHT-ANGLE PHONE JACKS

### SERIES SN

#### JACK SCHEMATICS



DIMENSIONS ARE FOR REFERENCE ONLY  $\frac{\text{Inch}}{\text{mm}}$

NOTE: Contact your Switchcraft Representative for price and delivery.