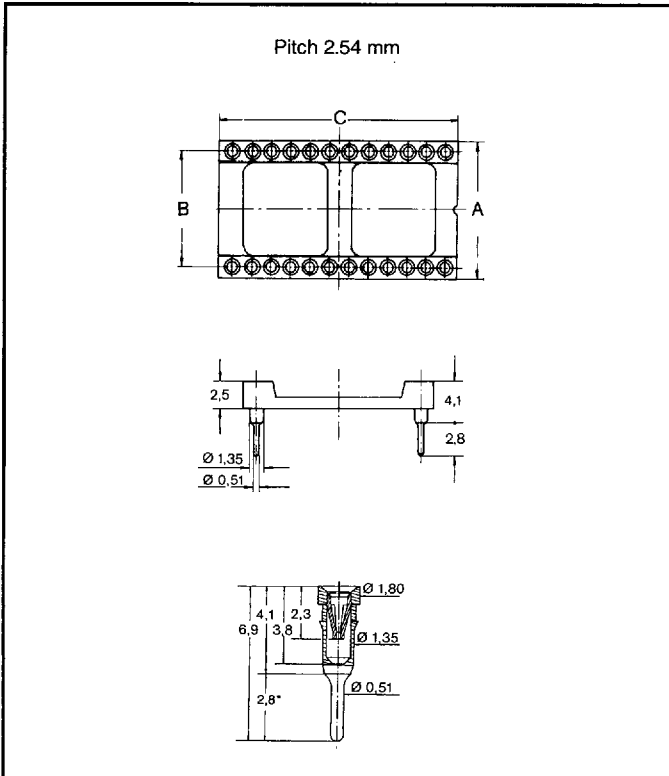


IC SOCKET SCREW MACHINE



FEATURES AND OPTIONS

- Available in sizes 6 through 64
- Screw machine contacts
- Skinny dip versions available (24, 28)
- .110" or .141" solder tails
- Three level wire wrap tails available
- Gold or tin plated outer sleeve

SPECIFICATIONS

MATERIALS

Contact spring: Copper alloy - 4 legs-gold plated
 Outer sleeve: Brass - gold or tin plated
 Insulator: Polyester GV, UL94V-0 rated

MECHANICAL AND ELECTRICAL

Insulation resistance: 10¹² ohm
 Contact resistance: 30 milliohms Maximum
 Operating temperature range: -65°C to +150°C
 Depth of insertion: 2.3 to 3.7 mm
 Vibration: 20g after MIL-STD-202
 Shock: 150g to MIL-STD-202
 Insertion frequency: > 1000

DIMENSIONS

No. of Pins	A	B	C
6	10.1/0.398	7.62/0.300	7.6/0.299
8	10.1/0.398	7.62/0.300	10.1/0.398
10	10.1/0.398	7.62/0.300	12.7/0.500
14	10.1/0.398	7.62/0.300	17.7/0.697
16	10.1/0.398	7.62/0.300	20.3/0.799
18	10.1/0.398	7.62/0.300	22.8/0.898
20	10.1/0.398	7.62/0.300	25.4/1.000
22	12.7/0.500	10.16/0.400	27.9/1.098
24	17.7/0.697	15.24/0.600	30.4/1.197
24/7	10.1/0.398	7.62/0.300	30.4/1.197
24/10	12.7/0.500	10.16/0.400	30.4/1.197
28	17.7/0.697	15.24/0.600	35.5/1.398
28/7	10.1/0.398	7.62/0.300	35.5/1.398
32	17.7/0.697	15.24/0.600	40.6/1.598
40	17.7/0.697	15.24/0.600	50.8/2.000
48	17.7/0.697	15.24/0.600	60.9/2.398
64	25.4/1.000	22.86/0.900	81.2/3.198

HOW TO ORDER

ARXX-HXX-X-X

