

Agilent HFCT-701XBD, 10 Gb Ethernet, 1310 nm, 10 km 10GBASE-LR, XENPAK LAN-PHY

Data Sheet

Description

The HFCT-701XBD is an “intelligent” optical module which incorporates the complete physical layer functionality from the 10.3125 Gb/s 64B/66B encoded optical interface to a XAUI compliant (4 channel x 3.125 Gb/s) 8B/10B encoded electrical interface and vice versa. The control interface (MDIO) is also integrated.

The HFCT-701XBD module includes a transmitter that incorporates an uncooled, directly modulated 1310 nm DFB laser. The receiver subassembly includes a highly reliable PIN photodiode. The MUX/DEMUX, XAUI interface and MDIO management functions are all integrated into the module, as is a precision oscillator that removes any need for an external reference clock.

Features

- IEEE Std 802.3ae type 10GBASE-LR PMD (10 Gigabit Ethernet standard)
- Compliant with XENPAK MSA Draft 3.0
- Standard SC Duplex fiber optic connector
- Standard 70 pin electrical connector
- Four wide XAUI Electrical interface
- MDIO Management Interface
- Only 3.3 V and 1.8 V supplies required (compatible with the XENPAK APS)
- 5 diagnostic loopback modes
- Front panel hot pluggable
- Excellent thermal and EMI integrity performance supports high port densities
- Hot plug power up circuit removes PSU sequence dependency and reduces inrush current
- Precision onboard oscillator - no external clocks required

Applications

- Enterprise to Metro Uplinks
- Campus Trunking
- Data Aggregation
- Exchange Point-to-Point Links



Table of Contents

General Specifications

General Optical Specifications	3
General Electrical Specifications	3
Environmental Specifications	3

Technical Specifications

Absolute Maximum Ratings	4
Recommended Operating Conditions	4
Optical Specifications	5
Electrical Control and Sense I/O Parameters	6
Electrical MDIO Parameters	6
Electrical High Speed I/O Parameters	7
Electrical Eye Mask	8
General I/O Pin Summary	9
Electrical Pin Out	10
Mechanical Specifications	13

Functional Descriptions

Block Diagram	18
Transmitter Path Summary	18
Receiver Path Summary	19
Management Data Input Output (MDIO) Interface	19
EEPROM Interface	10
Monitor and Diagnostic Features	22
Loopbacks	25
Reset Operation	25
Internal Clock Functionality	27

QFCT-7096 Registers

QFCT-7096 Device 1 PMA/PMD Registers	29
QFCT-7096 Device 3 PCS Registers	43
QFCT-7096 Device 4 PHYXS Registers	49

Digital Optical Monitoring (DOM)

Overview	54
----------	----

Regulatory Compliance

Electrostatic Discharge (ESD)	64
Electromagnetic Interference (EMI)	64
Immunity	64

Glossary	64
----------	----

General Specifications

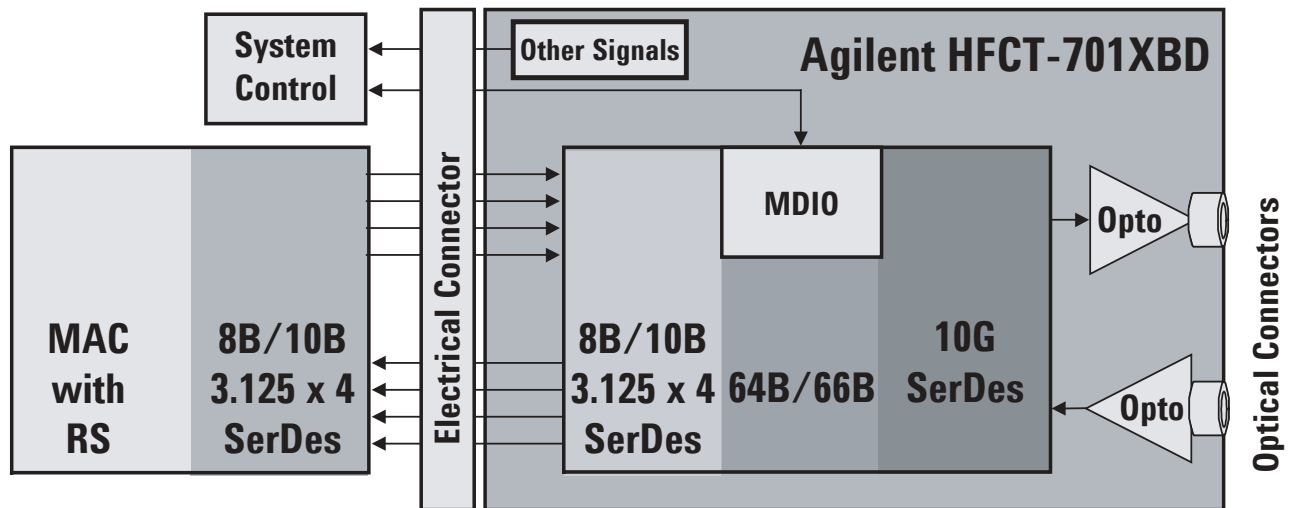


Figure 1. High level block diagram

General Optical Specifications

Optical Connector:

SC Duplex

Optical Line rate:

10.3125 Gb/s

Link Length:

10 km, with G.652 fiber

Laser:

1310 nm, directly modulated,
uncooled DFB

Detector:

PIN diode

General Electrical Specifications

Connector:

70-pin, mates to Tyco/AMP

Part No. 1367337-1 or

equivalent

Supply Voltages:

+1.8V and +3.3V

E->O Coding (Transmit

Direction):

8B/10B coding removed, 64B/
66B added

O->E Coding (Receive

Direction): 64B/66B

removed, 8B/10B coding added

XAUI interface:

100 Ω Differential, AC- coupled

I/O on Tx and Rx, per

IEEE802.3ae Clause 47

Control interface:

MDIO, 1.2 V, per IEEE802.3ae

Clause 45.3

Non Volatile memory:

48 byte user space

Environmental Specifications

Operating temperature:

0°C to +70°C case

Power consumption:

6.0 W maximum

Technical Specifications

Absolute Maximum Ratings¹

Parameter	Minimum	Typical	Maximum	Units	Notes
Storage Temperature	0		85	°C	
Operating Temperature	0		70	°C	Case temperature
Supply Voltage (3.3 V)			3.6	V	
Supply Voltage (1.8 V)			2.0	V	
Voltage on any XAUI pin			2.5	V	
Voltage on any LVCMOS pin	-0.7		4.0	V	

Recommended Operating Conditions²

Parameter	Minimum	Typical	Maximum	Units	Conditions
Stabilization Time		0.5	5	sec	
Input Voltage	3.135	3.3	3.465	V	
Input Voltage (APS)	1.71	1.8	1.89	V	
Supply Current (@ 3.3 V)		1.5	1.6	A	
Supply Current (@ 1.8 V)		0.15	0.4	A	
Power Consumption		5.2	6.0	W	
Inrush current during hot plug			50	mA/ms	
Inrush current (per power pin)			0.75	A	150% x 0.5A steady state rating

Notes:

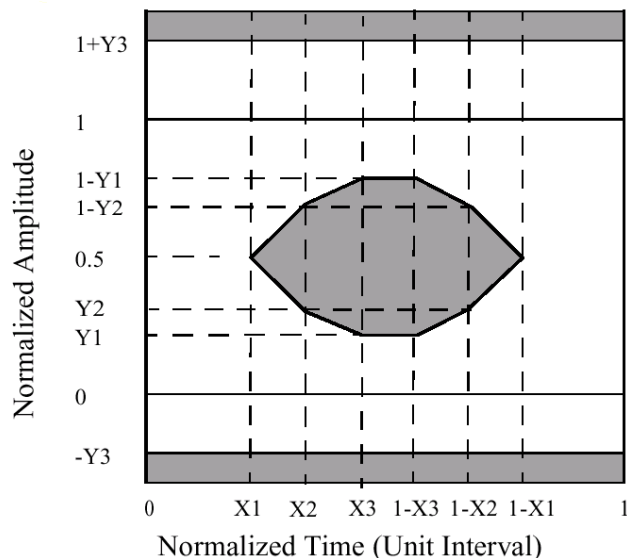
1. Absolute maximum ratings are those values beyond which functional performance is not intended, device reliability is not implied, and damage to the device may occur.
2. Typical operating conditions are those values for which functional performance and device reliability is implied.

Optical Specifications

Parameter	Minimum	Typical	Maximum	Units	Notes
Transmitter					
Laser OMA output power	-5.2			dBm OMA	1, 2
Laser mean output power	-8.2		0.5	dBm mean	1, 2, 3
Extinction ratio	3.5		-	dB	1, 2
Wavelength	1260		1355	nm	
Transmitter and dispersion penalty (TDP)			3.2	dB	1, 2
Side mode suppression ratio	30			dB	1
OMA - TDP	-6.2			dBm OMA	1, 2
$RIN_{12}OMA$			-128	dB/Hz	1
Optical Return Loss			12	dB	
TX eye definition					See Figure 2
Receiver					
Stressed sensitivity	-		-10.3	dBm OMA	1
Nominal sensitivity	-		-12.6	dBm OMA	1, 3
Receive Power Overload	0.5			dBm mean	1, 4
Reflectance loss			-12	dB	1
Wavelength	1260		1355	nm	1
Signal detect On	-30			dBm	
Signal detect Off			-16	dBm	
Signal detect Hysteresis	0.5			dB	

General Specification Considerations (Notes)

1. IEEE 802.3ae compliant.
2. These parameters are interrelated: see IEEE 802.3ae.
3. Information purposes only.
4. Up to 1.5dB without damage.



Note: where X1, X2, X3, Y1, Y2, Y3 = 0.25, 0.40, 0.45, 0.25, 0.28, 0.40 respectively

Figure 2. Transmitter Eye Mask Definition

Electrical Control and Sense I/O Parameters

Table 1 - CMOS DC Parameters (TX_FAULT, MDC, PRTAD<4:0>, LASI)

Bit(s)	Name	Description	R/W ¹	Default Value
1.0.15	Reset	1 = PMA/PMD reset 0 = Normal operation	RW	
1.0.14	Reserved	Value always 0, writes ignored	RW	
1.0.13	Speed selection	1 = Operation at 10 Gb/s and above 0 = Unspecified	RW	1
1.0.12	Reserved	Value always 0, writes ignored	RW	
1.0.11	Low Power	1 = Low Power mode 0 = Normal operation	RW	0
1.0.10:7	Reserved	Value always 0, writes ignored	RW	
1.0.6	Speed selection	1 = Operation at 10 Gb/s and above 0 = Unspecified	RW	1
1.0.5:2	Speed selection	5 4 3 2 1 x x x = Reserved x 1 x x = Reserved x x 1 x = Reserved 0 0 0 1 = Reserved 0 0 0 0 = 10 Gb/s	RW	
1.0.1	Reserved	Values always 0, writes ignored	RW	
1.0.0	PMA loopback	1 = Enable PMA loopback mode 0 = Disable PMA loopback mode	RW	0

Electrical MDIO Parameters

Table 2 - MDIO 1.2 V dc parameters

Parameter	Description	Minimum	Typical	Maximum	Units	Conditions
Voh	Output high voltage	1.0		1.5	V	I _{oh} = -100 μ A
Vol	Output low voltage	-0.3		0.2	V	I _{ol} = +100 μ A
Iol	Output low current	-4			mA	V _{in} = 0.3
Vih	Input high voltage	0.84		1.5	V	
Vil	Input low voltage	-0.3		0.36	V	
Cin	Input capacitance			10	pF	

Table 3 - MDIO AC Parameters

Parameter	Description	Minimum	Typical	Maximum	Units	Conditions
Thold	MDIO data hold time	10			ns	
Tsetup	MDIO data setup time	10			ns	
Tdelay	Delay from MDC rising edge to MDIO data change	0		300	ns	
Fmax	Maximum MDC clock rate			2.5	MHz	

Electrical High Speed I/O Parameters

Table 4 - 3.125 Gb/s XAUI Input Interface

Parameter	Description	Minimum	Typical	Maximum	Units	Conditions
	BAUD rate		3.125		Gb/s	
	BAUD rate tolerance	-100		100	ppm	
	Differential input amplitude	200		2500	mVpp	Note 1
	Differential return loss			-10	dB	100 MHz to 2.5 GHz ref to 100Ω impedance
	Common mode return loss			-6	dB	100 MHz to 2.5 GHz ref to 25Ω
	Input Differential Skew			75	ps P-P	at crossing point, note 2
	Jitter amplitude tolerance deterministic + random jitter + Sj jitter			0.55 + Sj	UIpp	See Figure 2a for SJ jitter graph

Table 5 - 3.125 Gb/s XAUI Driver Characteristics

Parameter	Description	Minimum	Typical	Maximum	Units	Conditions
	BAUD rate		3.125		Gb/s	
	BAUD rate variation	-100		100	ppm	
	Differential amplitude	800		1600	mVpp	
	Transition times (20-80%)	60	90	130	ps	Note 2
	Total output jitter			± 0.175	UI	no pre-equalization
	Output deterministic jitter			± 0.085	UI	no pre-equalization
	Output differential skew			15	ps	at crossing point
	Differential output return loss				dB	312.5 MHz to 625 MHz: -10 dB 625 MHz to 3.125 GHz: as per equation 47-1 IEEE 802.3 ae
	Electrical eye mask					See Figure 3

Note:

1. Maximum amplitude of 2500 mVpp is the combined effect of the driver maximum output signal of 1600 mVpp and the receiver input impedance mismatch.
2. For information only.

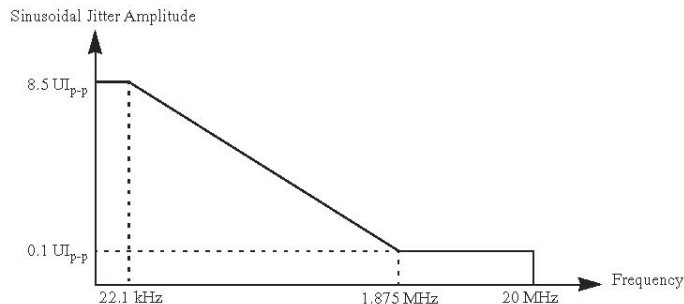


Figure 2a. Single-tone sinusoidal jitter mask

Electrical Eye Mask

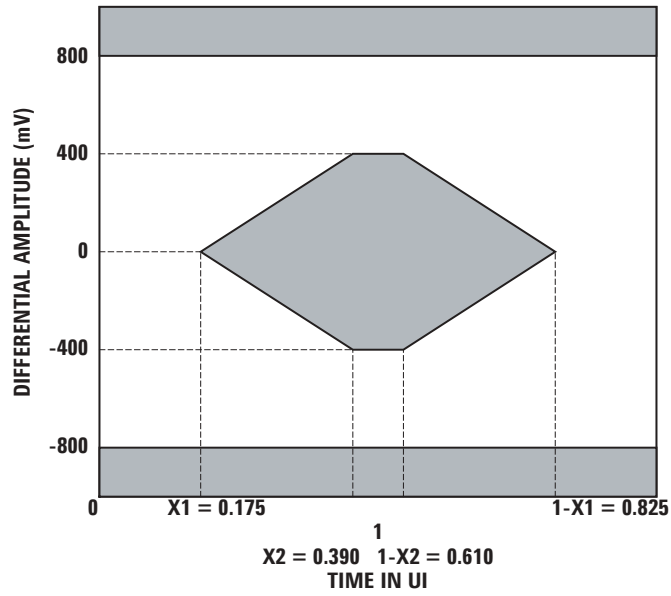


Figure 3 - XAUI Driver Near End Template

General Connector Considerations

1. Ground connections are common for Tx and Rx.
2. V_{CC} contacts are each rated at 0.5 A nominal.
3. See Figure 8 for layout of Host PCB and location of Pin1.

Table 6 - General I/O Pin Summary

Signal Type	Pins	Direction	Function
Power Supply Pins			
Ground	1:3, 33:37, 40, 43, 46, 49, 52:54, 57, 60, 63, 66, 69:70		Electrical ground
3.3 V	5:6, 30:31	I	3.3 V power supply
5.0 V	4, 32	I	5.0 V power supply not used
Adaptive power supply	7:8, 28:29	I	Adaptive power supply (1.8 V)
Adaptive power supply set	25	I	APS set connection
Adaptive power supply sense	27	I	APS sense connection
Control & Sense I/O Pins			
LASI	9	O	1.2 V CMOS pull up on host
Reset	10	I	1.2 V CMOS pull up on module
Transmitter ON/OFF	12	I	1.2 V CMOS pull up on module
Port address 4:0	19:23	I	1.2 V CMOS pull up on module
MDIO Pins			
MOD DETECT	14	O	1 kW pull down to ground on module
Management data IO	17	I/O	1.2 V per IEEE802.3ae clause 45.3
Management data clock	18	I	1.2 V per IEEE802.3ae clause 45.3
High Speed I/O Pins			
Receiver lane 0:3 +	41, 44, 47, 50	O	XAUI per IEEE802.3ae clause 47
Receiver lane 0:3 -	42, 45, 48, 51	O	XAUI per IEEE802.3ae clause 47
Transmitter lane 0:3 +	55, 58, 61, 64	I	XAUI per IEEE802.3ae clause 47
Transmitter lane 0:3 -	56, 59, 62, 65	I	XAUI per IEEE802.3ae clause 47
Non Connected Pins			
Not connected	4, 11, 13, 15:16, 24, 26, 32, 38:39, 67:68		NC on module

Electrical Pin Out

70	GND	1	GND
69	GND	2	GND
68	NOT CONNECTED	3	GND
67	NOT CONNECTED	4	5.0V
66	GND	5	3.3V
65	TX LANE3-	6	3.3V
64	TX LANE3+	7	APS
63	GND	8	APS
62	TX LANE2-	9	LASI
61	TX LANE2+	10	RESET
60	GND	11	NOT CONNECTED
59	TX LANE1-	12	TX ON/OFF
58	TX LANE1+	13	NOT CONNECTED
57	GND	14	MOD DETECT
56	TX LANE0-	15	NOT CONNECTED
55	TX LANE0+	16	NOT CONNECTED
54	GND	17	MDIO
53	GND	18	MDC
52	GND	19	PRTAD4
51	RX LANE3-	20	PRTAD3
50	RX LANE3+	21	PRTAD2
49	GND	22	PRTAD1
48	RX LANE2-	23	PRTAD0
47	RX LANE2+	24	NOT CONNECTED
46	GND	25	APS SET
45	RX LANE1-	26	NOT CONNECTED
44	RX LANE1+	27	APS SENSE
43	GND	28	APS
42	RX LANE0-	29	APS
41	RX LANE0+	30	3.3V
40	GND	31	3.3V
39	NOT CONNECTED	32	5.0V
38	NOT CONNECTED	33	GND
37	GND	34	GND
36	GND	35	GND

Figure 4. Electrical Pin Out

Electrical Pin Out Definitions

Table 7 - Pin Function Definitions (Lower Row)

Pin No	Name	Direction	Function	Note
1	GND		Electrical ground	
2	GND		Electrical ground	
3	GND		Electrical ground	
4	NOT CONNECTED		5.0 V power supply	
5	3.3 V	I	3.3 V power supply	
6	3.3 V	I	3.3 V power supply	
7	APS	I	Adaptive power supply (1.8 V)	
8	APS	I	Adaptive power supply (1.8 V)	
9	LASI	O	Logic high: normal operation Logic low: LASI asserted	See Table 10
10	RESET	I	Logic high: normal operatio Logic low: reset	
11	NOT CONNECTED			
12	TX ON/OFF	I	Pulled up inside module via 10 k Ω Logic high: transmitter on Logic low: transmitter off	
13	NOT CONNECTED			
14	MOD DETECT	O	Pulled low inside module through 1 k to GND	
15	NOT CONNECTED			
16	NOT CONNECTED			
17	MDIO	I/O	Management data IO	
18	MDC	I	Management data clock	
19	PRTAD4	I	Port address bit 4	
20	PRTAD3	I	Port address bit 3	
21	PRTAD2	I	Port address bit 2	
22	PRTAD1	I	Port address bit 1	
23	PRTAD0	I	Port address bit 0	
24	NOT CONNECTED			
25	APS SET	I	APS set connection	
26	NOT CONNECTED			
27	APS SENSE	I	APS sense connection	
28	APS	I	Adaptive Power Supply (1.8 V)	
29	APS	I	Adaptive Power Supply (1.8 V)	
30	3.3 V	I	Power	
31	3.3 V	I	Power	
32	NOT CONNECTED		5.0 V Power Supply	
33	GND		Electrical Ground	
34	GND		Electrical Ground	
35	GND		Electrical Ground	

Table 8 - Pin Function Definitions (Upper Row)

Pin No	Name	Direction	Function	Note
36	GND		Electrical Ground	
37	GND		Electrical Ground	
38	NOT CONNECTED			
39	NOT CONNECTED			
40	GND		Electrical Ground	
41	RX LANE 0+	0	Module XAUI Output Lane 0+	
42	RX LANE 0-	0	Module XAUI Output Lane 0-	
43	GND		Electrical Ground	
44	RX LANE 1+	0	Module XAUI Output Lane 1+	
45	RX LANE 1-	0	Module XAUI Output Lane 1-	
46	GND		Electrical Ground	
47	RX LANE 2+	0	Module XAUI Output Lane 2+	
48	RX LANE 2-	0	Module XAUI Output Lane 2-	
49	GND		Electrical Ground	
50	RX LANE 3+	0	Module XAUI Output Lane 3+	
51	RX LANE 3-	0	Module XAUI Output Lane 3-	
52	GND		Electrical Ground	
53	GND		Electrical Ground	
54	GND		Electrical Ground	
55	TX LANE 0+	I	Module XAUI Input Lane 0+	
56	TX LANE 0-	I	Module XAUI Input Lane 0-	
57	GND		Electrical Ground	
58	TX LANE 1+	I	Module XAUI Input Lane 1+	
59	TX LANE 1-	I	Module XAUI Input Lane 1-	
60	GND		Electrical Ground	
61	TX LANE 2+	I	Module XAUI Input Lane 2+	
62	TX LANE 2-	I	Module XAUI Input Lane 2-	
63	GND		Electrical Ground	
64	TX LANE3+	I	Module XAUI Input Lane 3+	
65	TX LANE3-	I	Module XAUI Input Lane 3-	
66	GND		Electrical Ground	
67	NOT CONNECTED			
68	NOT CONNECTED			
69	GND		Electrical Ground	
70	GND		Electrical Ground	

Mechanical Specifications

Package Dimensions

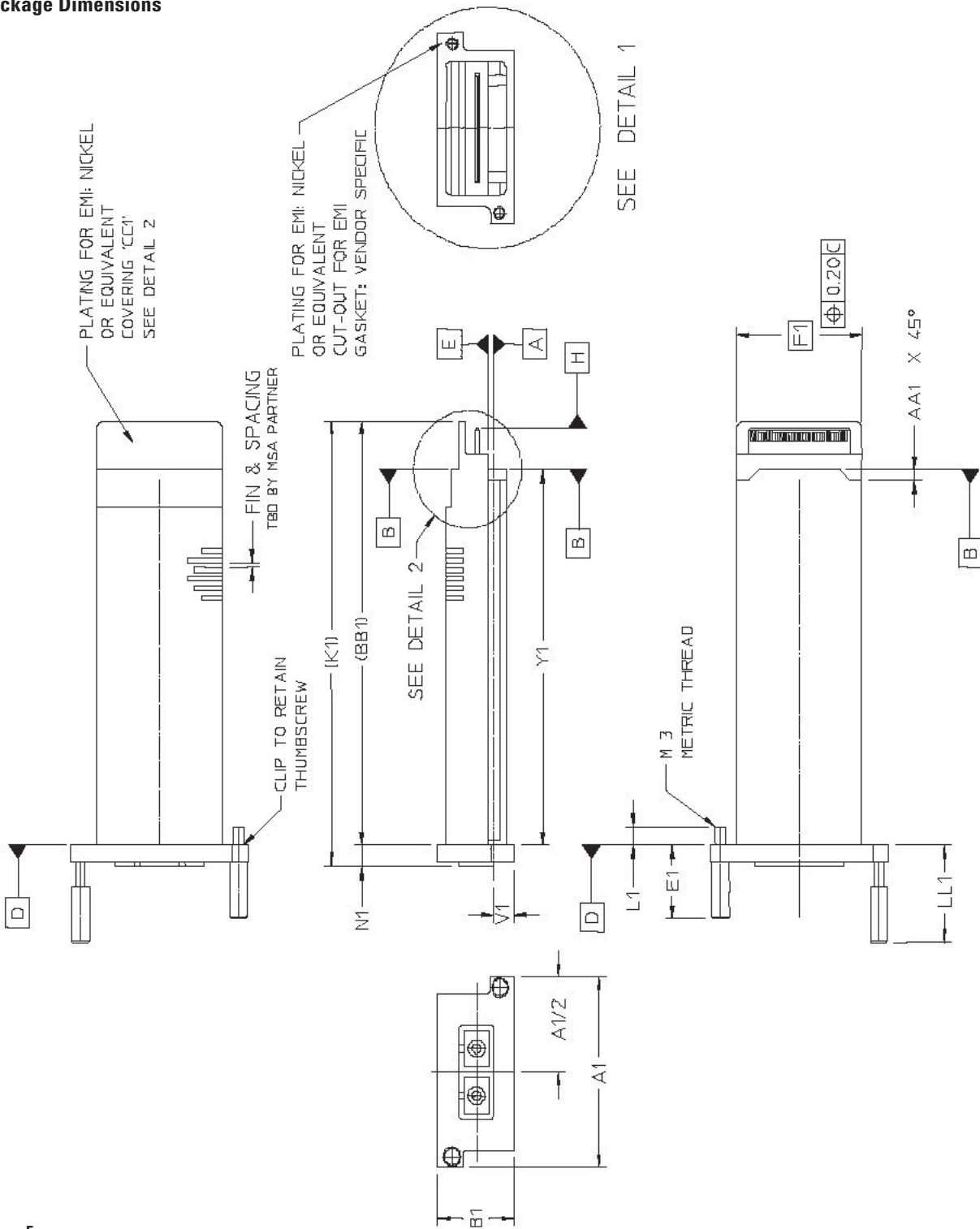


Figure 5.

Note:

It is recommended that the User refers to the XENPAK MSA at www.xenpak.org for full mechanical detail.

Dimensions Table (Figure 5)

Key	Values		Tolerance	Comments
	mm	inch		
A1	51.3	2.020	±0.20	Width of Bezel overall
B1	22.4	0.882	±0.20	Height of Bezel overall
E1	20.75	0.817	Maximum	Extension of captive screw
F1	36.0	1.417	±0.20	Width of Transceiver body
K1	(121.0)	4.764	REF	Length of Transceiver overall minus protruding captive screw heads
L1	5.00	0.197	±0.20	Length of captive screw from Datum "D" to end of threaded end
N1	5.8	0.228	±0.20	Datum "D" to front of Transceiver Bezel
V1	7.92	0.312	±0.20	Datum "E" to Bottom of Transceiver Bezel
Y1	102.20	4.024	±0.20	Datum "D" to Datum "B"
AA1	3.0	0.118	±0.50	Datum "B" to end of 45° chamfer
BB1	(115.2)	4.535	REF	Length of Module from Datum "D" to rear Over-hanging Ledge
LL1	25.8	1.016	Maximum	Length of Thumbscrew

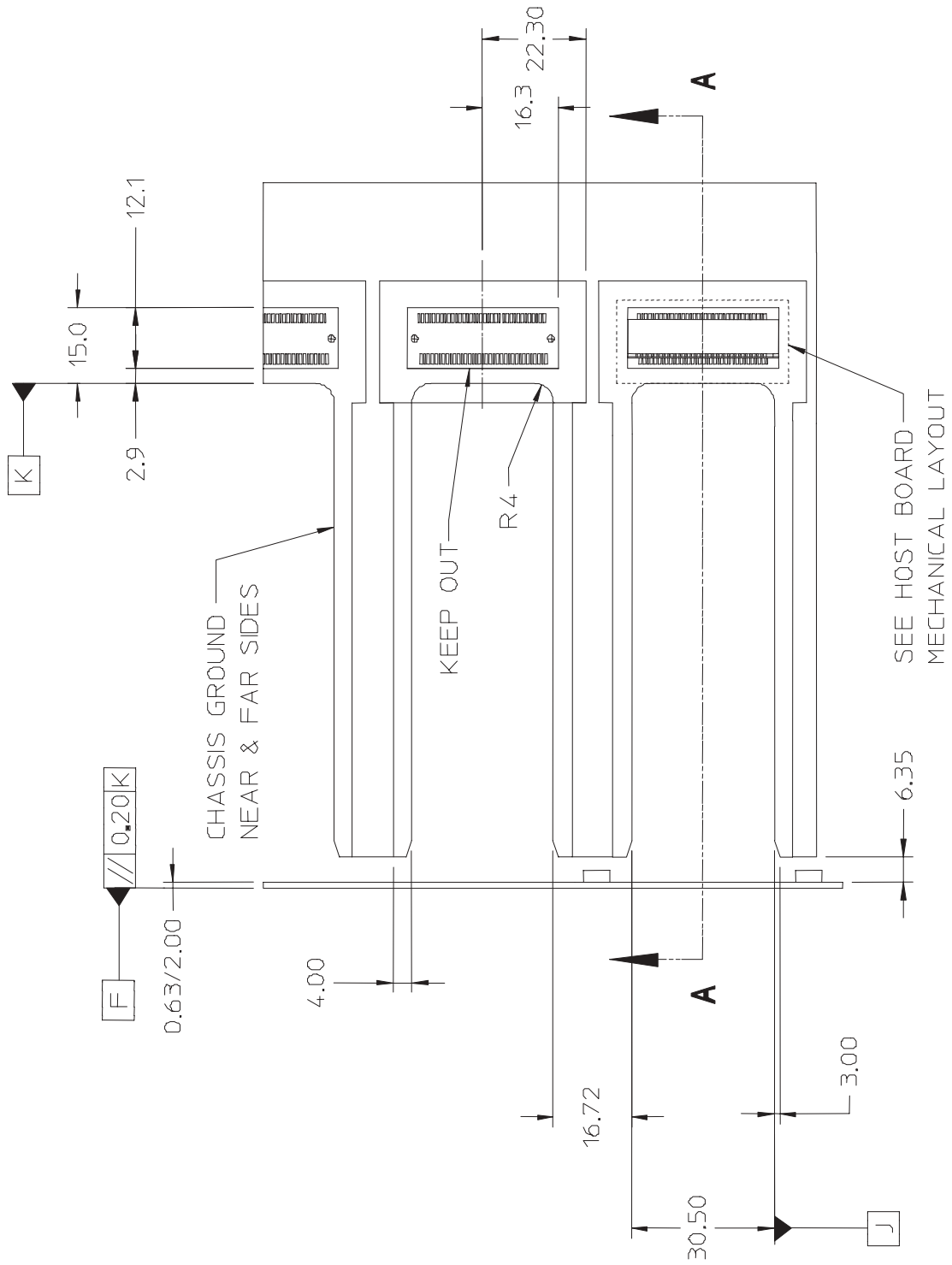
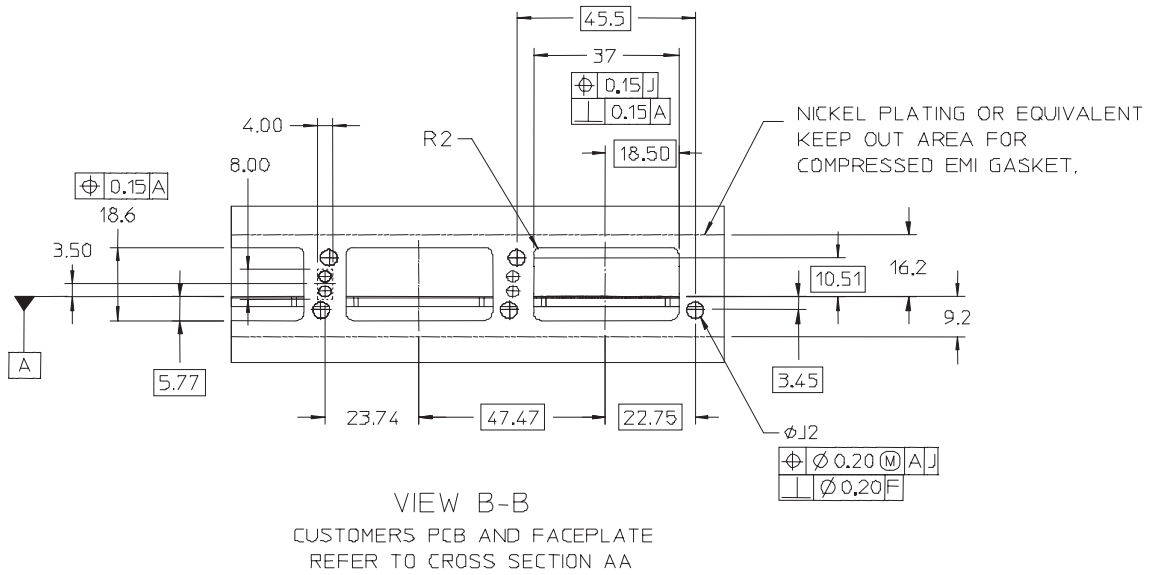
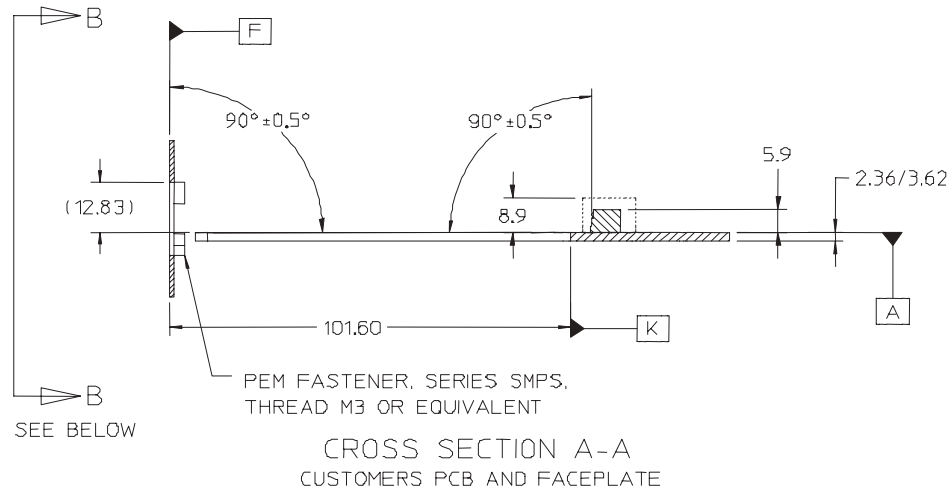


Figure 6.



Note:
Case Ground is separated from the common Rx and Tx signal ground

Figure 7.

Functional Descriptions

Block Diagram

Figure 9 shows a block diagram of the HFCT-701XBD. Figures 10 and 11 show greater detail of the transmitter and receiver paths.

Transmitter Path Summary

Figure 10 shows a block diagram of the transmit path, from the four XAUI differential inputs to the optical output. The incoming 4 x 3.125 Gb/s XAUI differential 8B/10B encoded electrical inputs, are reformatted and transmitted onto the outgoing fiber optic interface at 10.3125 Gb/s, using 64B/66B encoding.

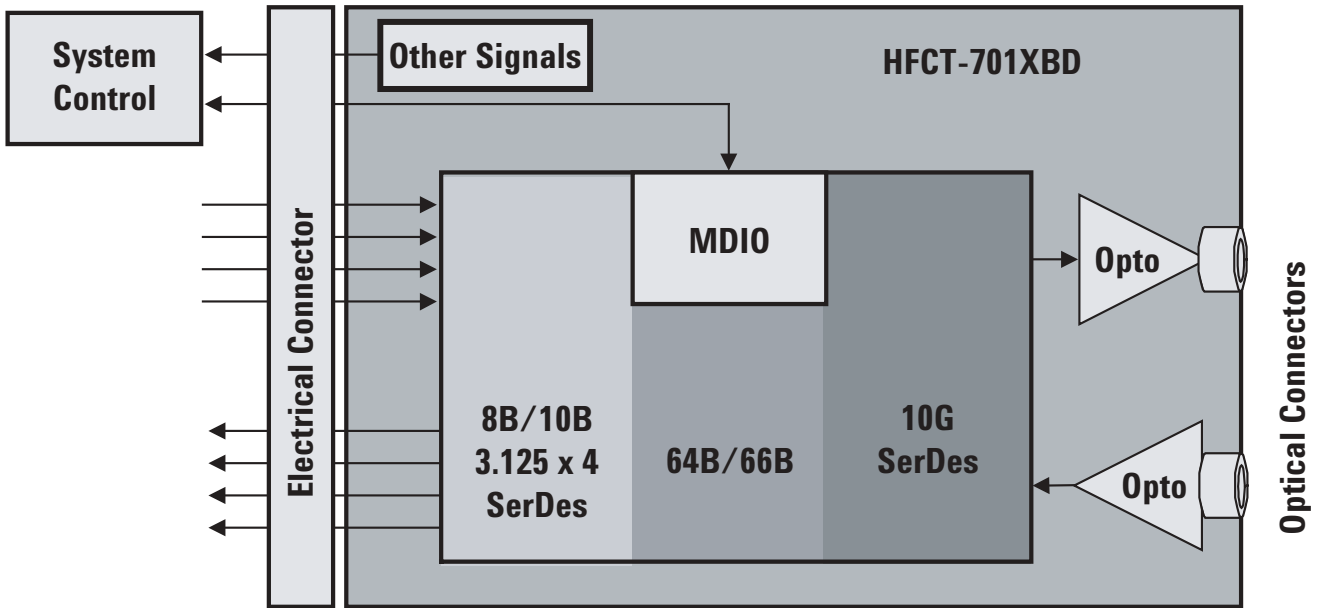


Figure 9. Block Diagram of HFCT-701XBD

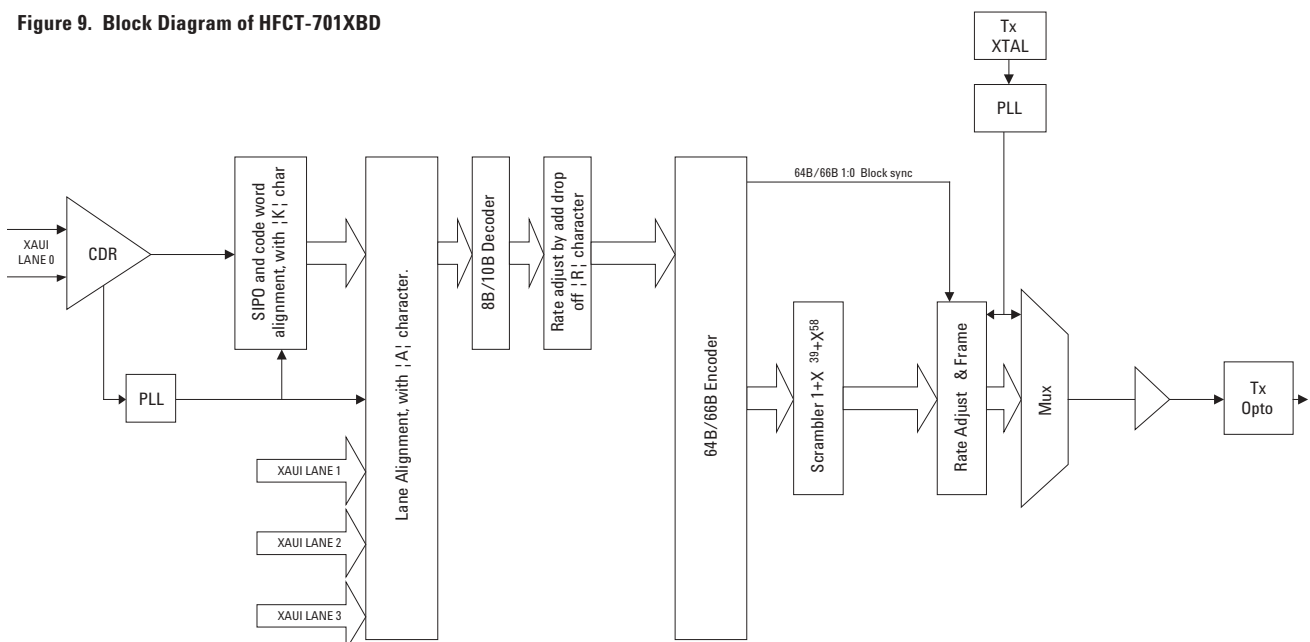


Figure 10. Transmit Path High Level Overview

Receiver Path Summary

Figure 11 shows a block diagram of the receiver path, from the incoming 10.3125 Gb/s, 64B/66B encoded optical interface to the four 3.125 Gb/s differential 8B/10B encoded XAUI electrical output interface. The XAUI output drivers provide low-swing differential output with 100 Ω differential output impedance and are ac coupled.

Management Data Input/Output (MDIO) Interface

The MDIO interface provides a simple, two wire, serial interface to connect a station management entity (STA) and a managed PHY for the purpose of controlling the PHY and gathering status from the PHY. The management interface consists of the two wire physical interface, a frame format, a protocol specification for exchanging the frames and a register set that can be read and written using these frames. The two wires of the physical interface are the Management Data Clock (MDC) and the Management Data I/O (MDIO).

Management Data Clock (MDC)

The MDC is sourced by the Station Management entity (STA) to the PHY as the timing reference for transfer of information on the MDIO signal. MDC is an aperiodic signal that has no maximum high or low times.

Management Data I/O (MDIO)

MDIO is a bidirectional signal between the PHY (HFCT-701XBD) and the STA. It is used to transfer control and status information. Data is always driven and sampled synchronously with respect to MDC. Figure 13 shows the MDIO open drain driver configuration.

MDIO Timing relationship to MDC

MDIO is a bidirectional signal that can be sourced by the STA or the HFCT-701XBD. When the STA sources the MDIO signal, the STA shall provide a minimum of 10 ns of setup time and a minimum of 10 ns of hold time referenced to the rising edge of MDC (see Figure 12). When the MDIO signal is sourced by the HFCT-701XBD, it is sampled by the STA synchronously with respect to the rising edge of MDC. The clock output delay from the HFCT-701XBD shall be a minimum of 0 ns and a maximum of 300 ns.

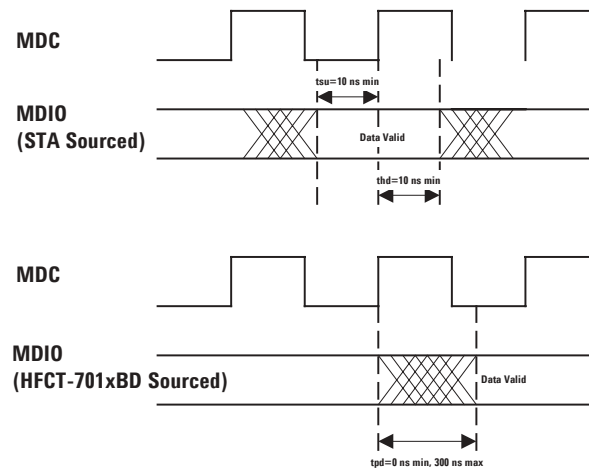


Figure 12. MDIO/MDC Timing

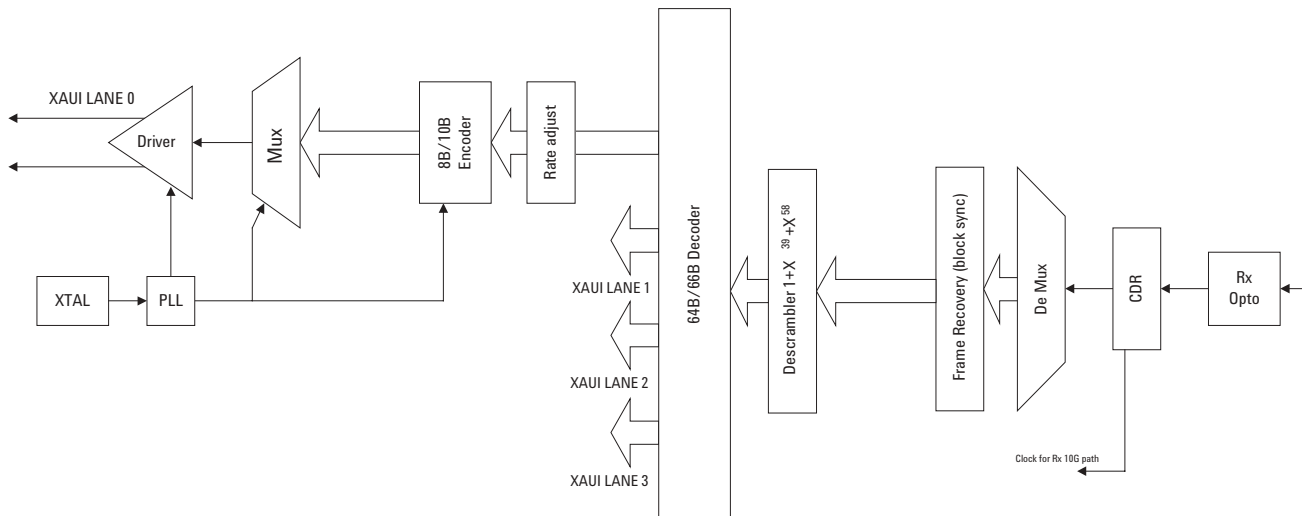


Figure 11. Receive Path High Level Overview

Management Frame Format

The HFCT-701XBD has an internal address register which is used to store the address for MDIO reads and writes. This MDIO address register can be set by using an address frame that specifies the register address to be accessed within a particular port device.

The following write, read or a post-read-increment-address frame to the same port device shall access the register whose address is stored in the HFCT-701XBD MDIO address register. An address frame should be followed immediately by its associated write, read or post-read-increment-address frame.

Upon receiving a post-read-increment-address frame and having completed the read operation, the HFCT-701XBD shall increment and store the address of the register accessed. If no address cycle is received before the next write, read or post-read-increment-address frame, then the HFCT-701XBD shall use the stored address for that register access.

The Management Frame Format for Indirect Access is specified in Table 9.

PRE - Preamble

At the beginning of each transaction the STA shall send a preamble sequence of 32 contiguous logic one bits on MDIO with 32 corresponding cycles on MDC, to provide the HFCT-701XBD with a pattern that it can use to establish synchronization. The HFCT-701XBD must observe this preamble sequence before it responds to any transaction.

ST - Start

The Start of Frame is indicated by a <00> pattern. This pattern ensures transitions from the default logic one line to zero and back to one.

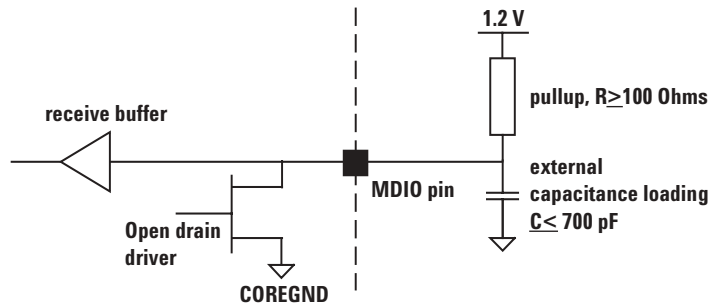


Figure 13. MDIO open Drain Driver Configuration

Table 9. Frame Format

Management Frame Fields									
FRAME	PRE	ST	OP	PRTAD	DEVAD	TA	ADDR/DATA	IDLE	
ADDRESS	1...1	00	00	PRTAD[4:0]	DA[4:0]	10	D[15:0]	Z	
WRITE	1...1	00	01	PRTAD[4:0]	DA[4:0]	10	D[15:0]	Z	
READ	1...1	00	11	PRTAD[4:0]	DA[4:0]	Z0	D[15:0]	Z	
READ INC	1...1	00	10	PRTAD[4:0]	DA[4:0]	Z0	D[15:0]	Z	

OP - Operation Code

Table 10. OP Code Definitions

OP Code	Operation
00	Register Address
01	Write Data
11	Read Data
10	Post Read Data + Increment

PRTAD

The Port Address is five bits, allowing 32 unique port addresses. HFCT-701XBD's port address is set through pins PRTAD<0:4>.

DEVAD

The Device Address is five bits, allowing 32 unique devices per port. The HFCT-701XBD supports device addresses 1 (PMA/PMD), 3 (PCS) and 4 (PHY XS).

TA

The Turnaround time is a two bit time spacing between the Register Address field and the Data field of a management frame to avoid contention during a read transaction (see IEEE 802.3ae).

ADDR/DATA

The Data/Address field is 16 bits. The first bit transmitted/received is bit 15 and the last bit is bit 0.

IDLE

The idle condition is a high-impedance state. The MDIO line will be pulled to a one.

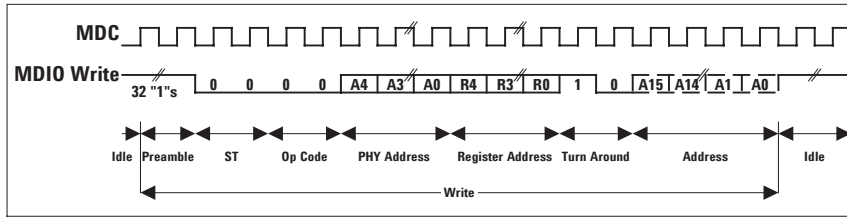
EEPROM Interface

NVR

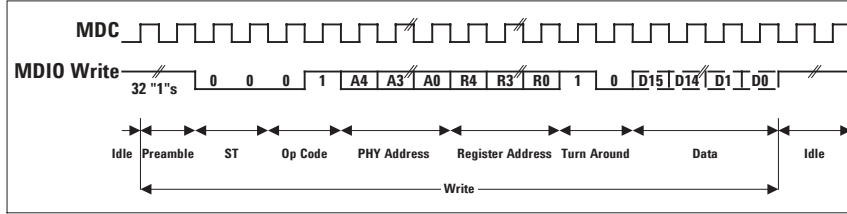
There are two main memory/register types in the HFCT-701XBD which comply with the IEEE 802.3ae and XENPAK standard: volatile and nonvolatile. These areas can be further divided into user readable and writeable areas.

At power up the module register space is initialized and, where appropriate, default values are loaded from the non user accessible nonvolatile memory. The user accessible nonvolatile memory is also uploaded entirely into the user accessible volatile memory.

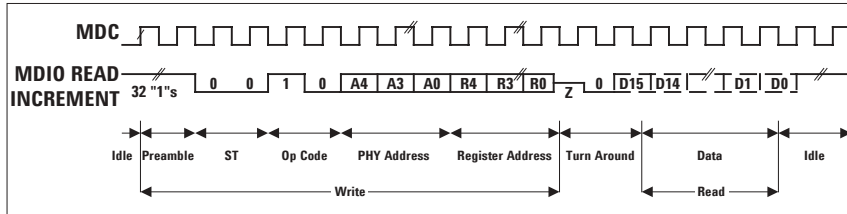
DEVICE MANAGEMENT INTERFACE - ADDRESS FRAME STRUCTURE



DEVICE MANAGEMENT INTERFACE - WRITE FRAME STRUCTURE



DEVICE MANAGEMENT INTERFACE - READ INCREMENT FRAME STRUCTURE



DEVICE MANAGEMENT INTERFACE - READ FRAME STRUCTURE

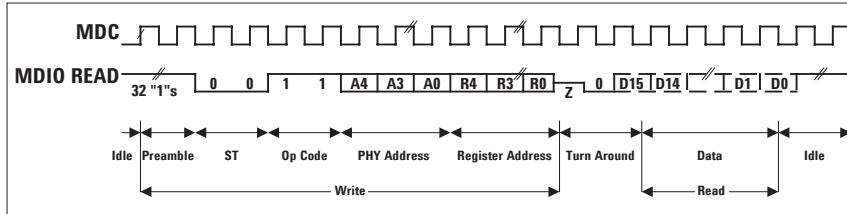


Figure 14. MDIO Frame Formats

It is important to note that writes to the user accessible volatile memory are not stored to the corresponding user nonvolatile area and will therefore be lost upon a power down or reset. For such writes to be permanent the data must be written first to the user accessible nonvolatile area and then a reload invoked via the NVR Control/Status register, see Register 1.32768.

Access

The XENPAK MSA related Nonvolatile Control/Status register is only needed for performing writes to the nonvolatile user accessible area within the HFCT-701XBD because nonvolatile memory cannot be written to by normal MDIO write cycles. Other writes to volatile memory and registers may be performed directly via normal MDIO write cycles. All volatile and nonvolatile locations may be read directly via MDIO read cycles, it is not necessary to use the NVR Control/Status register, other than for status.

Read/Write Command (bit5)

The XENPAK MSA related 1.32768.5 register must be set to 1 to perform writes to the NVR and zero (read) otherwise a zero written to bit 5 initiates an NVR read. A 1 written to bit 5 initiates an NVR write.

If the NVR register bit 5 is set to zero and the extended command bits set to 11 forces an upload of all values in the NVR to the volatile areas, including default register values. Such an upload is performed automatically after a hard or soft reset.

EEPROM Checksum Checking

The HFCT-701XBD will perform a checksum calculation and compare after every successful 256 byte read. The checksum for comparison is in EEPROM register 118 =MDIO register 1.32893.7:0. The checksum is equal to the 8 LSB 's of the sum of bytes 0 to 117 of the EEPROM. The calculated checksum is stored in MDIO register 1.49156.15:8. The result of the calculated checksum compared with the one read from EEPROM is placed in MDIO register 1.49155.7.

EEPROM 256 Byte Read Cycle

An EEPROM 256 Byte Read Cycle is initiated by setting MDIO bits 1.32768.0,1 to 0 and 1.32768.5 to 0.

The information to be read from the EEPROM stored in the 256 MDIO registers. A 256 byte read is initiated on hot-plug or reset.

EEPROM Single Byte Read or Write Cycle

An EEPROM Single Byte Read/Write Cycle is initiated by setting MDIO EEPROM control register bits 1.32768.1:0 to 10. As for the 256 byte read/write commands, MDIO register 1.32768.5 determines if a read or a write cycle will be performed. The single byte EEPROM address is read from EEPROM control register 1.32768 bit15:8. The data is placed in/read from the associated MDIO register.

Monitors and Diagnostic Features

The LASI pin is used to indicate suboptimal performance in either the receive or transmit path. It can be used as an interrupt. It is the OR of the tx_alarm, rx_alarm and the ls_alarm signals each gated with their respective enables. The enables are read from MDIO register 1.36867, LASI control.

LASI = {OR of (reg 1.36869.n 'bit wise AND ' reg 1.36866.n) for n=0 to 15}.

Table 11. LASI Control Registers

Description	MDIO Status Registers	Type	MDIO Enable Registers	Default Value
LS_ALARM	1.36869.0	RO/LH	1.36866.0	0
TX_ALARM	1.36869.1	RO/LH	1.36866.1	0
RX_ALARM	1.36869.2	RO/LH	1.36866.2	0
LASI test mode	1.36869.3	RW	1.36866.3	0
1.8 V supply too low	1.36869.4	RO/LH	1.36866.4	0
3.3 V supply too low	1.36869.5	RO/LH	1.36866.5	0
MON3P3V_IN voltage too low	1.36869.6	RO/LH	1.36866.6	0

ls_alarm

LS Alarm is latched high each time the link_status signal changes state. LS_ALARM is the output of this latch AND the LS_ALARM enable register (see Figure 15). link_status is an indicator of the link health.

link_status = {PMD signal detect (MDIO 1.10.0) AND PCS block_lock (MDIO 3.32.0) AND

PHY_XS lane_alignment (MDIO 4.24.12)}

Rx_alarm

rx_alarm is used to indicate a problem with the receive path. rx_alarm is the OR of several receive path status registers in MDIO registers 1.36867. The ORing of each term is enabled by a companion MDIO register

in 1.36864 and the overall output is enabled by the RX_ALARM enable register (1.36866.2).

rx_alarm = {OR of (reg 1.36867 'bit wise AND ' reg 1.36864..n) for n=0 to 15} AND {RX_ALARM enable (1.36866.2)}

Table 12. Receive Alarm Registers

Description	MDIO Status Registers (RO)	Mirrors	Type	MDIO Enable Registers (R/W)	Default
PHY_XS receive local fault	1.36867.0	4.8.10	RO/LH	1.36864.0	1
PHY_XS receive rate error	1.36867.1	1.49154.3	RO/LH	1.36864.1	0
PCS receive code violation	1.36867.2		RO/LH	1.36864.2	0
PCS receive local fault	1.36867.3	3.8.11	RO/LH	1.36864.3	0
PMA receive local fault	1.36867.4	1.8.11	RO/LH	1.36864.4	1
Receive power error	1.36867.5		RO/LH	1.36864.5	0

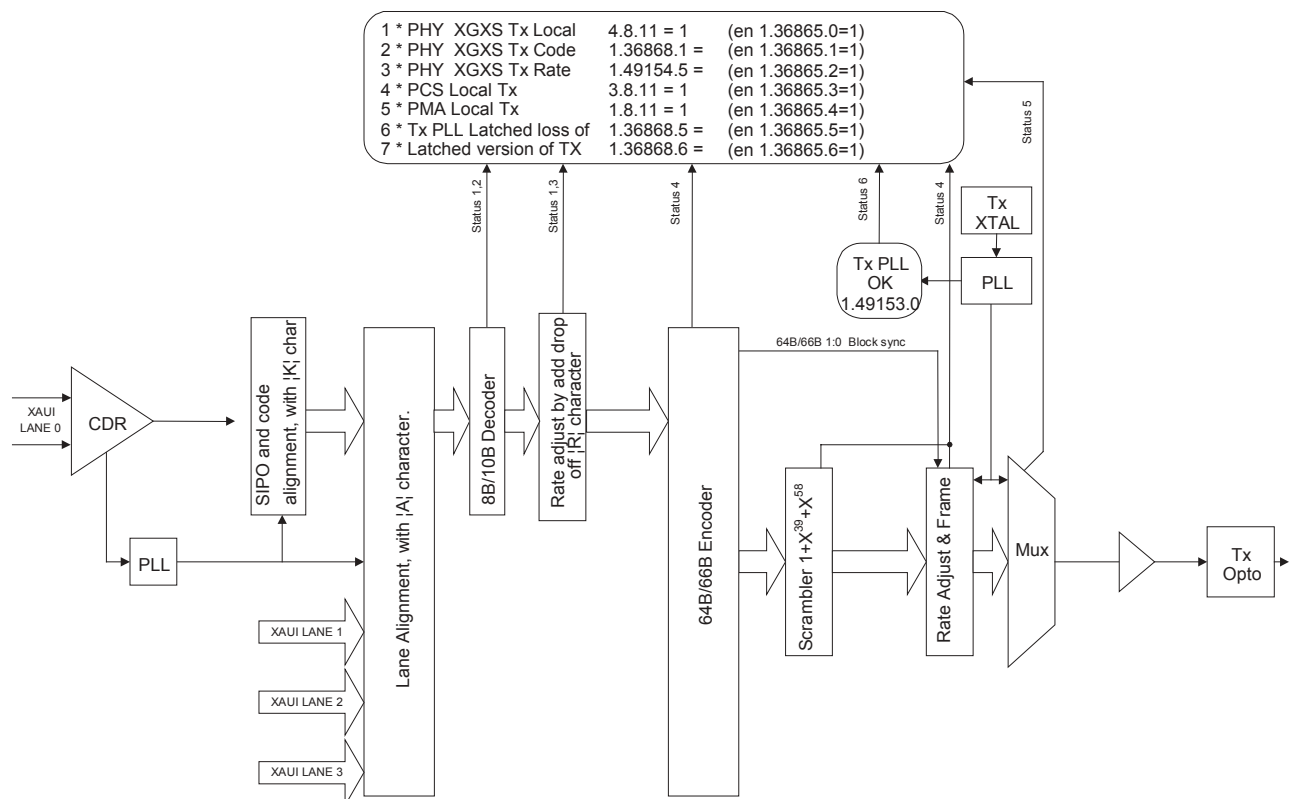


Figure 15. Tx LASI Signals

tx_alarm

tx_alarm is used to indicate a problem with the transmit path. tx_alarm is the OR of several transmit path status registers in MDIO registers

1.36868 bit wise AND'd with the TX_ALARM enable register. The ORing of each term is enabled by a companion MDIO register in 1.36865.

tx_alarm = {OR of (reg 1.36868 'bit wise AND' reg 1.36865) for n=0 to 15} AND {TX_ALARM enable (reg 1.36866.1)}

Table 13. Transmit Alarm Registers

Description	MDIO Status Registers (RO)	Mirrors	Type	MDIO Enable Registers (R/W)	Default
PHY_XS transmit local fault	1.36868.0	4.8.11	RO/LH	1.36865.0	1
PHY_XS code error	1.36868.1	-	RO/LH	1.36865.1	0
PHY_XS transmit rate error	1.36868.2	1.49154.5	RO/LH	1.36865.2	0
PCS transmit local fault	1.36868.3	3.8.11	RO/LH	1.36865.3	1
PMA transmit local fault	1.36868.4	1.8.11	RO/LH	1.36865.4	1
latched version of txlock	1.36868.5	1.49153.0	RO/LH	1.36865.5	0
latched version of TXFAULT	1.36868.6		RO/LH	1.36865.6	1
TX output power fault	1.36868.7		RO/LH	1.36865.7	0
Laser temperature fault	1.36868.8		RO/LH	1.36865.8	0
Laser bias current fault	1.36868.9		RO/LH	1.36865.9	0

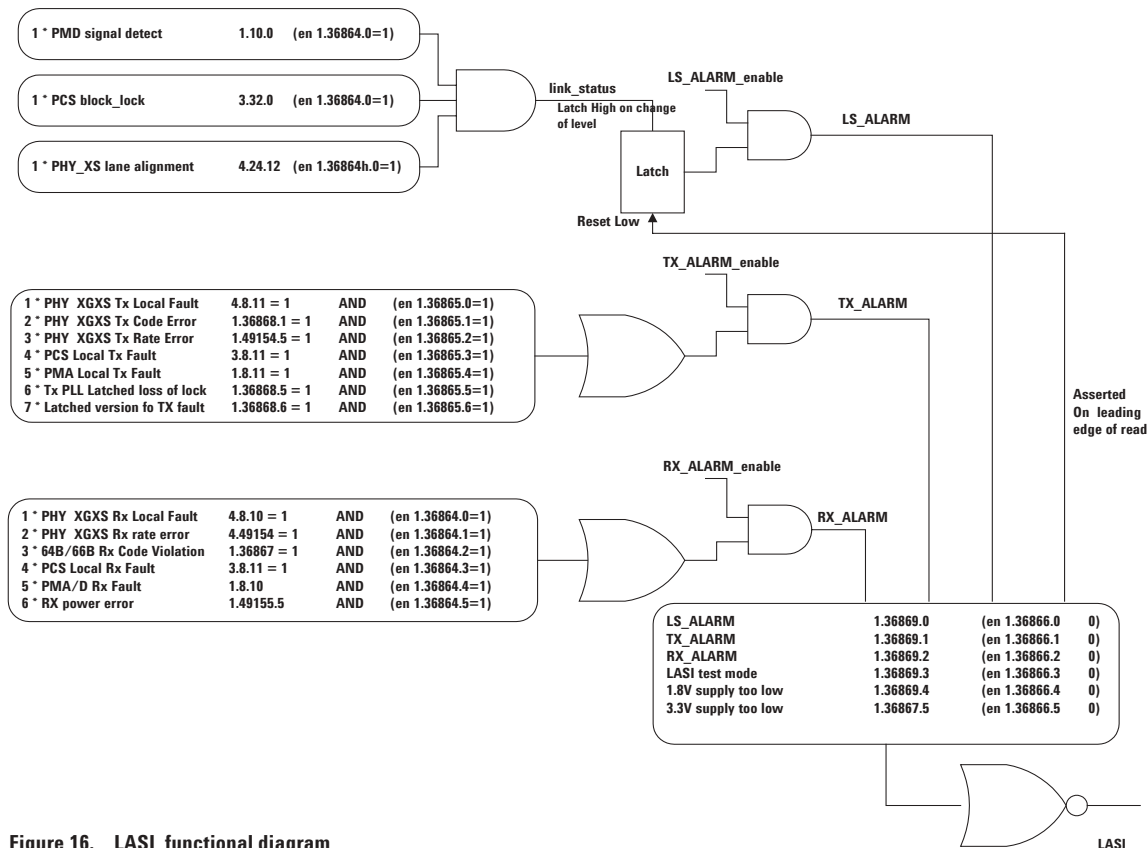


Figure 16. LASI functional diagram

Loopbacks

When in any system (PMA, PCS or XGXS system) loopback mode the HFCT-701XBD shall accept data from the transmit path and return it on the receive path.

During PMA loopback the Xenpak module will transmit the data received at the XAUI i/p's. In XGXS system loopback, the laser will default to mean power but without any modulation. In PCS loopback mode a continuous pattern of 0x0F0F will be output. Transmit data will be output instead if the associated 'loopback data out enable bit' is set high for the enabled loopback mode.

When in PMA network loopback mode, the recovered and retimed 10.3125 GBd signal is looped to the transmitter. The receive path XAUI output data will be received data. XAUI idle codes will be output instead of the received data if the 'network loopback data out enable bit' is set high.

In IEEE 802.3ae standard XGXS network loopback the recovered received data is looped back to the transmit path in the XAUI block.

Enabling of more than one loopback path is invalid.

Reset Operation

Writing a '1' to any of MDIO registers 1.0.15, 3.0.15 or 4.0.15 causes all the HFCT-701XBD registers to be reset to their default values. These bits are all self-clearing after the reset function is complete.

Pulling the RESET pin low causes a full chip reset.

Writes to any bits of the Control register while the RESET is asserted are ignored. All status and control registers are reset to their default states. The NVR read sequence is started when RESET goes high. MDIO register bits 1.0.15, 3.0.15, and 4.0.15 will be held to 1 until the reset sequence is complete.

Table 14. Loopback Summary

loopback name	loopback direction	loopback control register	bypassed path default output	data output enable register	bypassed path output control' =1
PMA system loopback ⁽¹⁾	Tx -> Rx	1.0.0	transmit data	NA	NA
PCS loopback	Tx -> Rx	3.0.14	0F0F	3.49152.5	transmit data
XGXS network loopback (802.3ae standard)	Rx -> Tx	4.0.14	Receive data at Rx Xaui	NA	NA
XGXS system loopback	Tx -> Rx 4	4.49152.14	Mean power, no modulation	4.49152.15	transmit data
PMA network loopback	Rx -> Tx 1	1.49153.4	received data	1.49153.9	idle at RxXAUI

Notes

1. PMA system loopback requires a valid optical signal to be present on the Rx to operate. However, if no valid optical signal exist, set bit 1.49153.10=1, then set 1.0 bit 0=1.

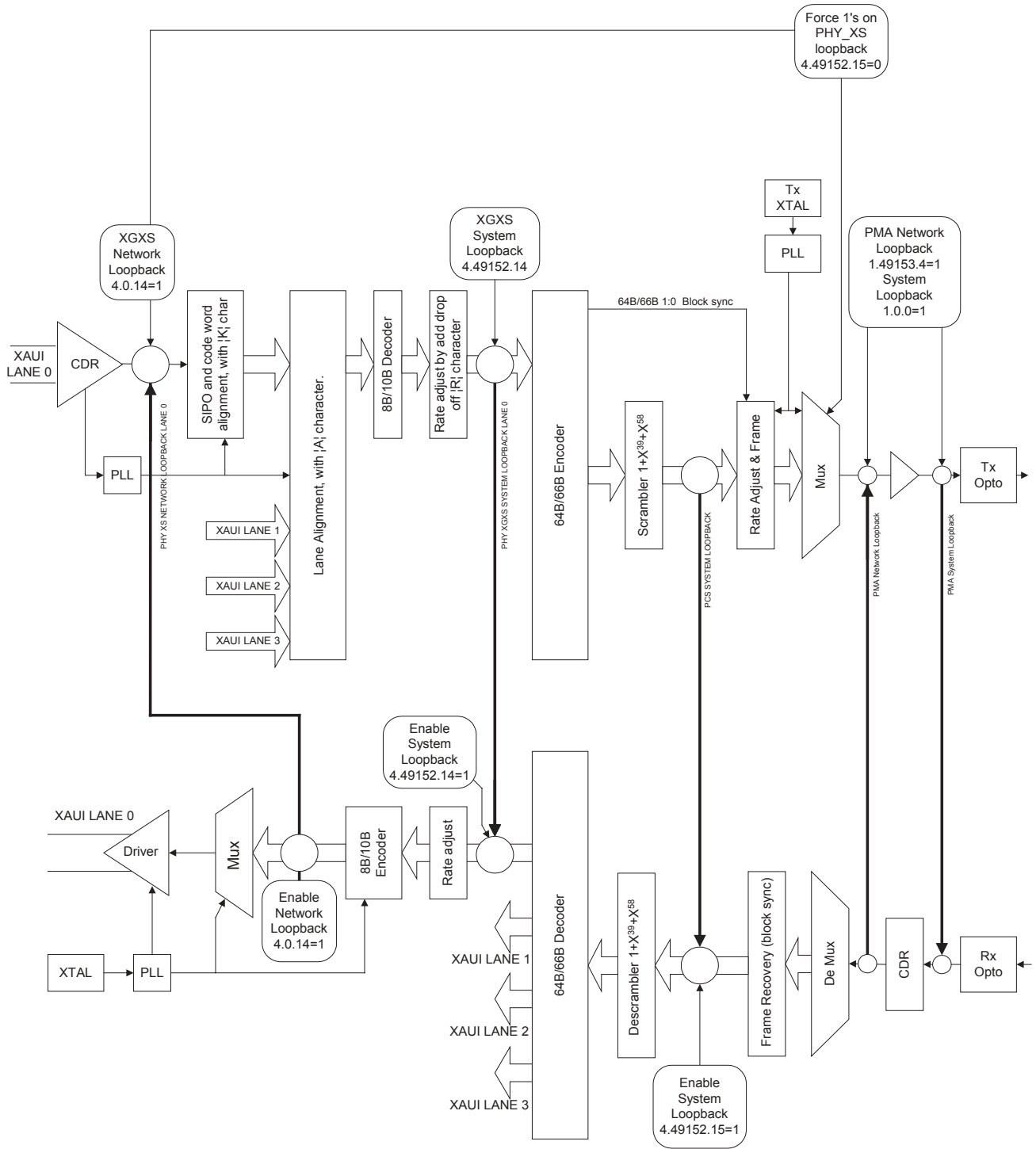


Figure 17. HFCT-701XBD Loopback Modes

Internal Clock Functionality

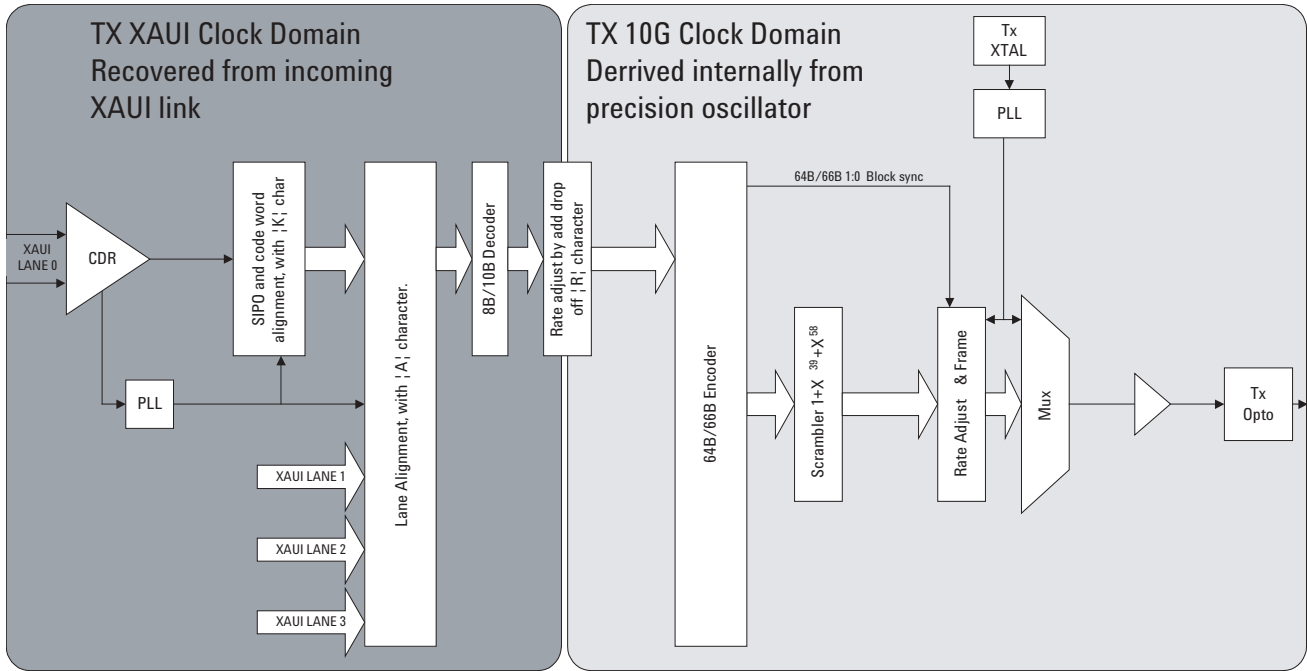


Figure 18. Transmit Path

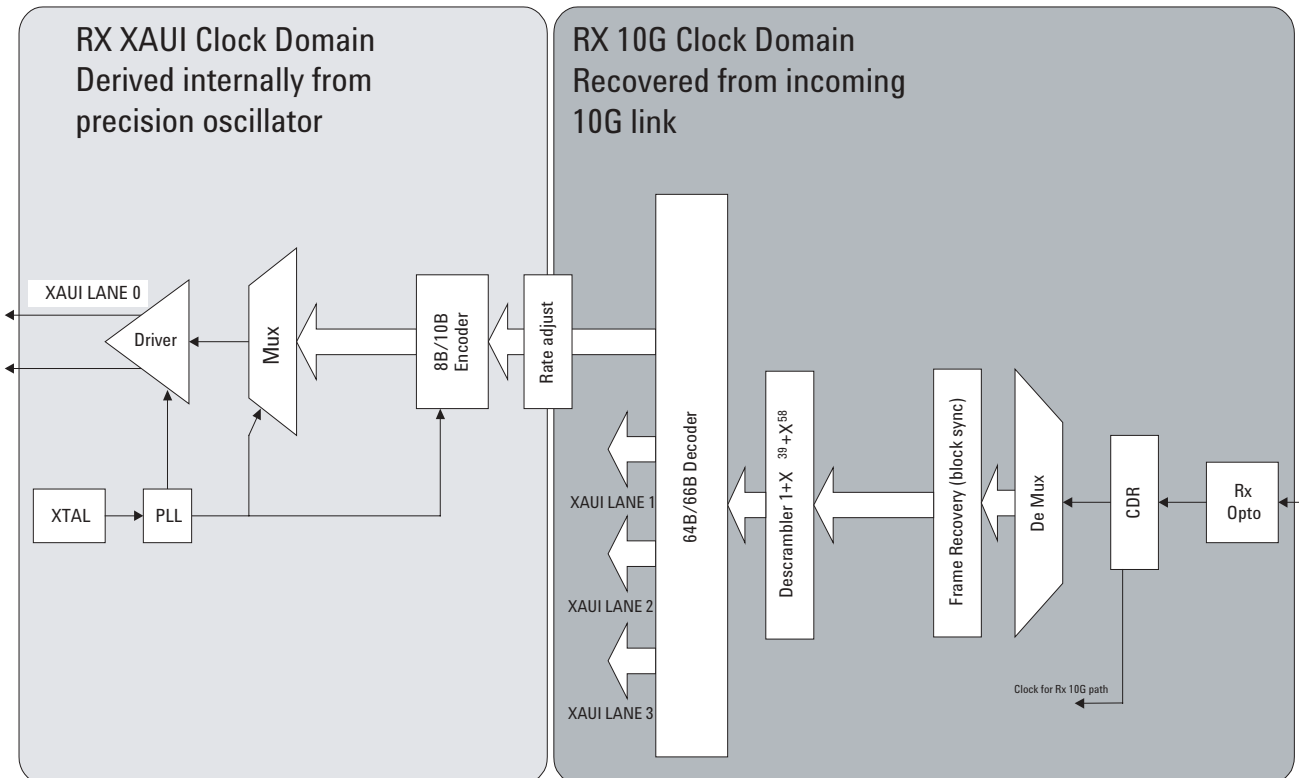


Figure 19. Receive Path

HFCT-701XBD Registers

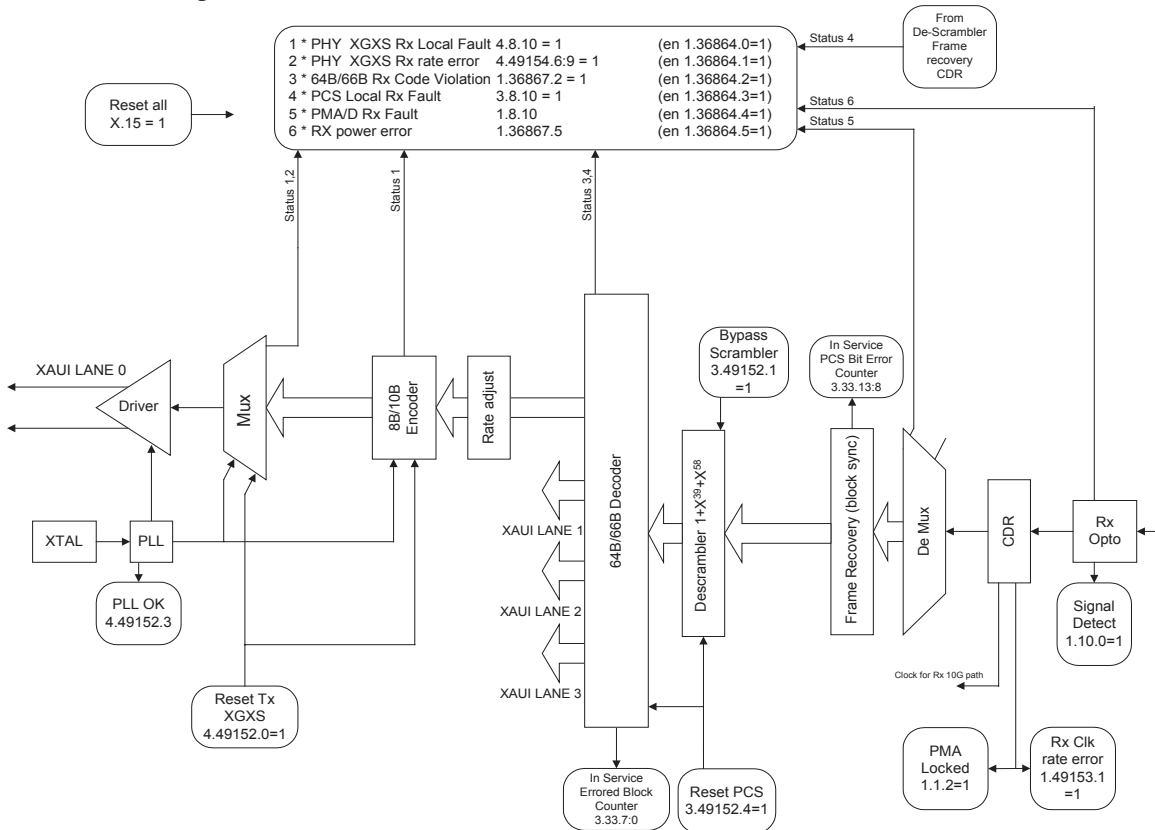


Figure 20. Summary of Key Receiver Path Registers

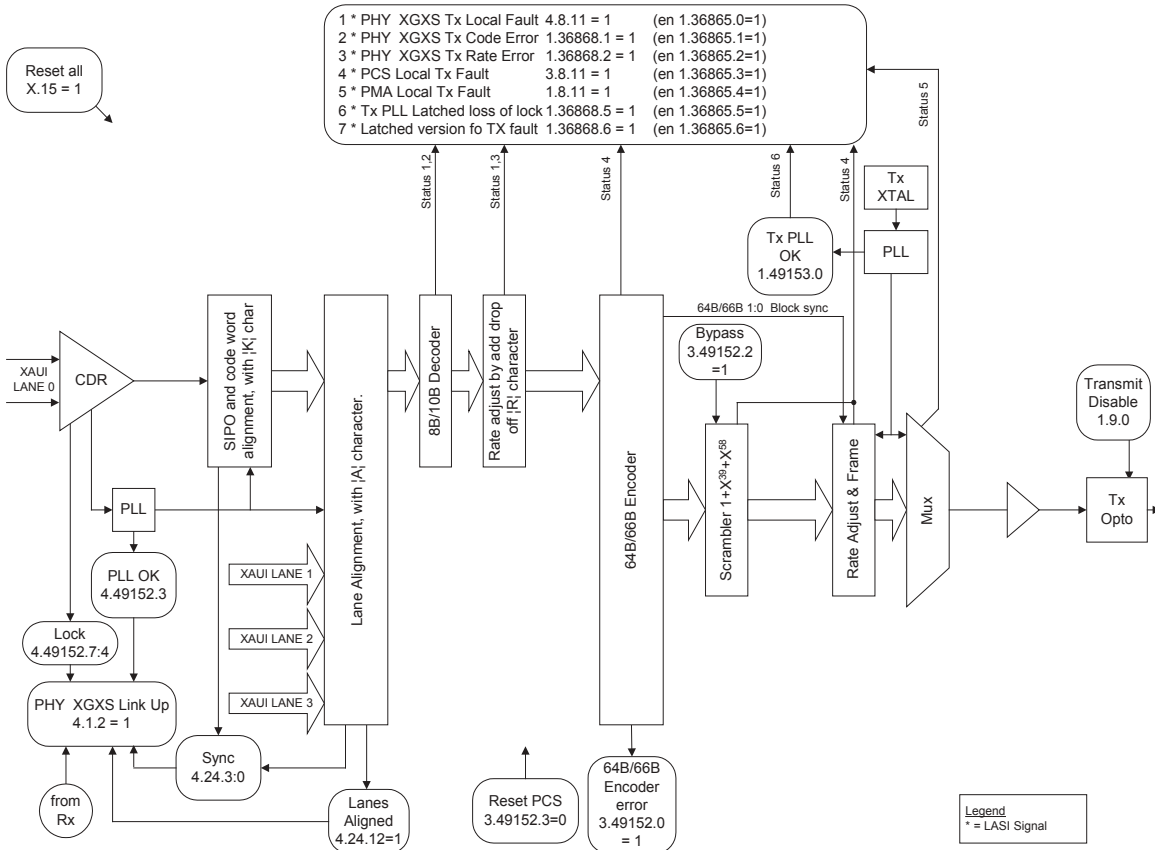


Figure 21. Summary of Key Transmit Path Registers

HFCT-701XBD Device 1 PMA/PMD Registers

Device	From		To		Register Name
	Decimal	Hex	Decimal	Hex	
1	0	0			PMA/PMD Control 1
1	1	1			PMA/PMD Status 1
1	2	2	3	3	Device identifier
1	4	4			PMA/PMD Speed Ability
1	5	5	6	6	Devices in package
1	7	7			10G PMA/PMD Control 2
1	8	8			10G PMA/PMD Status 2
1	9	9			10G PMD transmit disable
1	10	A			10G PMD receive signal detect
1	14	E	15	F	Package identifier (OUI)
1	32768	8000			NVR Control/Status
1	32775	8007			XENPAK MSA version supported
1	32776	8008	32777	8009	NVR size in bytes
1	32778	800A	32779	800B	Number of bytes used
1	32780	800C			Basic Field Address
1	32781	800D			Customer Field Address
1	32782	800E			Vendor Field Address
1	32783	800F	32784	8010	Extended Vendor Field Address
1	32785	8011			Reserved
1	32786	8012			Transceiver type
1	32787	8013			Optical connector type
1	32788	8014			Bit encoding
1	32789	8015	32790	8016	Nominal Bit Rate in multiples of 1Mb/s
1	32791	8017			Protocol Type
1	32792	8018	32801	8021	Standards Compliance Codes 10GbE Code Byte 0
1	32802	8022	32803	8023	Specifies transmission range in 10 m increments
1	32804	8024	32805	8025	Fibre Type Byte 0 and Byte1
1	32806	8026	32808	8028	Centre Optical Wavelength in 0.01nm steps - Channel 0
1	32818	8032	32821	8035	Package Identifier OUI
1	32822	8036	32825	8039	Transceiver Vendor OUI

Device	From		To		Register Name
	Decimal	Hex	Decimal	Hex	
1	32826	803A	32841	8049	Transceiver vendor name in ASCII
1	32842	804A	32857	8059	Part number provided by transceiver vendor in ASCII
1	32858	805A	32859	805B	Revision level for part number provided by vendor ASCII
1	32860	805C	32875	806B	Vendor serial number in ASCII
1	32876	806C	32885	8075	Vendor manufacturing date code in ASCII
1	32886	8076			5 V stressed environment reference
1	32887	8077			3.3 V stressed environment reference
1	32888	8078			APS stressed environment reference
1	32889	8079			Nominal APS voltage
1	32890	807A			DOM capability
1	32891	807B			Reserved
1	32893	807D			Basic Field Checksum
1	32894	807E	32941	80AD	Customer Writeable Area
1	32942	80AE	33030	8106	Vendor Specific
1	33031	8107	36863	8FFF	Extended Vendor Specific
1	36864	9000			RX_ALARM Control
1	36865	9001			TX_ALARM Control
1	36866	9002			LASI Control
1	36867	9003			RX_ALARM Status
1	36868	9004			TX_ALARM Status
1	36869	9005			LASI Status
1	49153	C001			Extended PMA features
1	49155	C003			PMA/PMD Vendor Specific
1	49156	C004			PMA/PMD Vendor Specific Checksum
1	49188	C024			PMA Vendor Specific

Register 1.0 - PMA/PMD Control 1

Bit(s)	Name	Description	R/W ¹	Default Value
1.0.15	Reset	1 = PMA/PMD reset 0 = Normal operation	RW	
1.0.14	Reserved	Value always 0, writes ignored	RW	
1.0.13	Speed selection	1 = Operation at 10 Gb/s and above 0 = Unspecified	RW	1
1.0.12	Reserved	Value always 0, writes ignored	RW	
1.0.11	Low Power	1 = Low Power mode 0 = Normal operation	RW	0
1.0.10:7	Reserved	Value always 0, writes ignored	RW	
1.0.6	Speed selection	1 = Operation at 10 Gb/s and above 0 = Unspecified	RW	1
1.0.5:2	Speed selection	5 4 3 2 1 x x x = Reserved x 1 x x = Reserved x x 1 x = Reserved 0 0 0 1 = Reserved 0 0 0 0 = 10 Gb/s	RW	
1.0.1	Reserved	Values always 0, writes ignored	RW	
1.0.0	PMA loopback	1 = Enable PMA loopback mode 0 = Disable PMA loopback mode	RW	0

Register 1.1 - PMA/PMD Status 1

Bit(s)	Name	Description	R/W ¹	Default Value
1.1.15:8	Reserved	N/A	RO	
1.1.7	Fault	1 = Local fault condition detected in PMA/PMD 0 = Local fault condition not detected in PMA/PMD (Set to a 1 when either 1.8.11 or 1.8.10 set to a one)	RO	N/A
1.1.6:3	Reserved	N/A	RO/LL	
1.1.2	Receive link status	1 = PMA locked to receive signal 0 = PMA not locked to receive signal	RO/LL	N/A
1.1.1	Power down ability	1 = PMA/PMD supports low power mode 0 = PMA/PMD does not support low power mode	RO	1
1.1.0	Reserved	N/A		

Register 1.2 to 1.3 - Device Identifier

Bit(s)	Name	Description	R/W ¹	Default Value
1.3.15:0	PMA Identifier		RO	
1.2.15:0	PMA Identifier		RO	

Register 1.4 PMA/PMD Speed Ability

Bit(s)	Name	Description	R/W ¹	Default Value
1.4.15:1	Reserved for future speeds		RO	N/A
1.4.0	10 G capable	1 = PMA/PMD is capable of operating at 10 Gb/s 0 = PMA/PMD is not capable of operating at 10Gb/s	RO	1

Note:

1. RW = Read/Write, RO = Read Only, LL = Latching Low

Register 1.5 to 1.6 - PMA/PMD Devices in Package

Bit(s)	Name	Description	R/W ¹	Default Value
1.6.15	Vendor Specific Device 2 present	1 = Vendor specific device 2 present in package 0 = Vendor specific device 2 not present in package	RO	1
1.6.14	Vendor Specific	Reserved	RO	
1.6.13:0	Reserved	N/A	RO	
1.5.15:6	Reserved	N/A	RO	
1.5.5	DTE XS present	1 = DTE XS present in package 0 = DTE XS not present in package	RO	0
1.5.4	PHY XS present	1 = PHY XS present in package 0 = PHY XS not present in package	RO	1
1.5.3	PCS present	1 = PCS present in package 0 = PCS not present in package	RO	1
1.5.2	WIS present	1 = WIS present in package 0 = WIS not present in package	RO	0
1.5.1	PMD/PMA present	1 = PMD/PMA present in package 0 = PMD/PMA not present in package	RO	1
1.5.0	Clause 22 registers present	1 = Clause 22 registers present in package 0 = Clause 22 registers not present in package	RO	0

Register 1.7 - 10 G PMA/PMD Control 2

Bit(s)	Name	Description	R/W ¹	Default Value
1.7.15:3	Reserved	N/A		
1.7.2:0	PMA/PMD type selection	2 1 0 1 1 1 = 10GBASE-SR PMA/PMD type 1 1 0 = 10GBASE-LR PMA/PMD type 1 0 1 = 10GBASE-ER PMA/PMD type 1 0 0 = 10GBASE-LX4 PMA/PMD type 0 1 1 = 10GBASE-SW PMA/PMD type 0 1 0 = 10GBASE-LW PMA/PMD type 0 0 1 = 10GBASE-EW PMA/PMD type 0 0 0 = Reserved	RW	110

Note:

1. RW = Read/Write, RO = Read Only,

Register 1.8 - 10 G PMA/PMA Status 2

Bit(s)	Name	Description	R/W ¹	Default Value
1.8.15:14	Device present	15 14 1 0 = Device responding at this address 1 1 = No device responding at this address 0 1 = No device responding at this address 0 0 = No device responding at this address	RO	10
1.8.13	Transmit local fault ability	1 = PMA/PMD has the ability to detect a local fault condition on the transmit path 0 = PMA/PMD does not have the ability to detect a fault condition on the transmit path	RO	1
1.8.12	Receive local fault ability	1 = PMA/PMD has the ability to detect a local fault condition on the receive path 0 = PMA/PMD does not have the ability to detect a fault condition on the receive path	RO	1
1.8.11	Transmit local fault	1 = Local fault condition on transmit path 0 = No local fault condition on transmit path	RO/LH	N/A
1.8.10	Receive local fault	1 = Local fault condition on receive path 0 = No local fault condition on receive path	RO/LH	N/A
1.8.9	Reserved	N/A	RO	
1.8.8	PMD transmit disable ability	1 = PMD has the ability to disable the transmit path 0 = PMD does not have the ability to disable the transmit path	RO	1
1.8.7	10GBASE-SR ability	1 = PMA/PMD is able to perform 10GBASE-SR 0 = PMA/PMD is not able to perform 10GBASE-SR	RO	0
1.8.6	10GBASE-LR ability	1 = PMA/PMD is able to perform 10GBASE-LR 0 = PMA/PMD is not able to perform 10GBASE-LR	RO	1
1.8.5	10GBASE-ER ability	1 = PMA/PMD is able to perform 10GBASE-ER 0 = PMA/PMD is not able to perform 10GBASE-ER	RO	0
1.8.4	10GBASE-LX4 ability	1 = PMA/PMD is able to perform 10GBASE-LX4 0 = PMA/PMA is not able to perform 10GBASE-LX4	RO	0
1.8.3	10GBASE-SW ability	1 = PMA/PMD is able to perform 10GBASE-SW 0 = PMA/PMD is not able to perform 10GBASE-SW	RO	0
1.8.2	10GBASE-LW ability	1 = PMA/PMD is able to perform 10GBASE-SW 0 = PMA/PMD is not able to perform 10GBASE-LW	RO	0
1.8.1	10GBASE-EW ability	1 = PMA/PMD is able to perform 10GBASE-EW 0 = PMA/PMD is not able to perform 10GBASE-EW	RO	0
1.8.0	PMA loopback ability	1 = PMA has the ability to perform a loopback function 0 = PMA does not have the ability to perform a loopback function	RO	1

Register 1.9 - 10 G PMD Transmit Disable

Bit(s)	Name	Description	R/W ¹	Default Value
1.9.15:5	Reserved	N/A	RW	
1.9.4:1	LX4 Signal Detect	Not used	RW	0
1.9.4:0	PMD Transmit Disable	1 = Transmit disable 0 = Transmit enable	RW	0

Note:

1. RW = Read/Write, RO = Read Only, LH = Latch High, clear on read (note that if the condition exists following register read, the bit will not be cleared).

Register 1.10 - 10 G PMD Receive Signal OK

Bit(s)	Name	Description	R/W ¹	Default Value
1.10.15:5	Reserved	Value always 0, writes ignored	RO	
1.10.4:1	LX4 Signal Detect	Not used	RO	
1.10.0	Global PMD Receive signal detect	1 = Signal detected on receive 0 = Signal not detected on receive	RO	

Register 1.14 to 1.15 - Package Identifier (OUI)

Bit(s)	Name	Description	R/W ¹	Default Value
1.15.15	Reserved	Reserved	RO	248
1.15.14:11	Revision Number	Revision Number	RO	
1.15.11:8	NVR Address	NVR DEV Address	RO	
1.15.7:6	NVR Address	NVR DEV Address	RO	
1.15.5:0	Package Identifier	XENPAK OUI	RO	
1.14.15:8	Package Identifier	XENPAK OUI	RO	34
1.14.7:0	Package Identifier	XENPAK OUI	RO	

Register 1.32768 - NVR Control/Status

Bit(s)	Name	Description	R/W ¹	Default Value
1.32768.15:8	Vendor Specific		RW	
1.32768.7:6	Reserved	N/A	RO	
1.32768.5	Read/Write Command ³	0 = Read NVR 1 = Write NVR	RW ²	
1.32768.4	Reserved	N/A	RO	
1.32768.3:2	Command Status	00 = Idle 01 = Command completed successfully 10 = Command in progress 11 = Command failed	RO/LH	
1.32768.1:0	Extended Commands	00 = Reserved 01 = Reserved 10 = Read/Write 1 byte 11 = Read all NVR contents	RW ²	

1.32775 to 1.32782 - NVR Information

Bit(s)	Name	Description	R/W ¹	Default Value (dec)
1.32775.7:0	Version	NVR Version number (MSB:LSB)	RO	30
1.32776.7:0	NVR_Size	NVR Size (upper byte) = 256 bytes	RO	1
1.32777.7:0	NVR_Size	NVR Size (lower byte) = 256 bytes	RO	0
1.32778.7:0	Mem_Used	Bytes used (upper byte) = 256 bytes	RO	1
1.32779.7:0	Mem_Used	Bytes used (lower byte) = 256 bytes	RO	0
1.32780.7:0	Basic Addr	Basic Field Address (MSB:LSB) Start	RO	11
1.32781.7:0	Cust Addr	Customer Field Address (MSB:LSB) Start	RO	119
1.32782.7:0	Vend Addr	Vendor Field Address (MSB:LSB) Start	RO	167
1.32783.7:0	Ext Vend Addr	Extended Vendor Field Address Start	RO	1
1.32784.7:0	Ext Vend Addr	Extended Vendor Field Address Start	RO	0
1.32785.7:0	Reserved		RO	0

Note:

1. RW = Read/Write, RO = Read Only, LH = latch high, clear on read (note that if the condition exists following register read, the bit will not be cleared).
2. The values of the 'Command' and 'Extended Command' bits are held until a command has been executed.
3. Writes to register 1.32768 ignored during "command in progress". Reads will not clear command status.

Register 1.32786 - Transceiver Type

Bit(s)	Name	Description	R/W ¹	Default Value (dec)
1.32786.7:0	Transceiver type	XENPAK	RO	1

Register 1.32787 - Optical Connector Type

Bit(s)	Name	Description	R/W ¹	Default Value (dec)
1.32787.7:0	Connector	SC Duplex Connector	RO	1

Register 1.32788 - Bit Encoding

Bit(s)	Name	Description	R/W ¹	Default Value (dec)
1.32788.7:0	Bit Encoding	NRZ	RO	1

Register 1.32789 to 1.32790 - Bit Rate

Bit(s)	Name	Description	R/W ¹	Default Value (dec)
1.32789.7:0	Bit rate	Bit 15 (MSB) to Bit 8	RO	40
1.32790.7:0	Bit rate	Bit 7 to Bit 0	RO	72

Register 1.32791 - Protocol Type

Bit(s)	Name	Description	R/W ¹	Default Value (dec)
1.32791.7:0	Protocol	Supports 10GbE	RO	1

Register 1.32792 to 1.32793 - 10GbE Compliance Code

Bit(s)	Name	Description	R/W ¹	Default Value (dec)
1.32792.7:0	Standards compliance code	Supports 10GBASE-LR	RO	2
1.32793.15:0	Reserved	N/A		0

Register 1.32802 to 1.32803 - Transmission Range

Bit(s)	Name	Description	R/W ¹	Default Value (dec)
1.32802.7:0	Transmission Range	Bit 15 (MSB) to Bit 8	RO	3
1.32803.7:0	Transmission Range	Bit 7 to Bit 0	RO	232

Register 1.32804 to 1.32805 - Fiber Type Suitability

Bit(s)	Name	Description	R/W ¹	Default Value (dec)
1.32804.5	Fiber Type	SM Generic	RO	32
1.32805.0	Reserved	N/A		0

Register 1.32806 to 1.32808 - Center Wavelength

Bit(s)	Name	Description	R/W ¹	Default Value (dec)
1.32806.7:0	Wavelength	Bits 23-16	RO	1
1.32807.7:0	Wavelength	Bits 15-8	RO	255
1.32808.7:0	Wavelength	Bits 7-0	RO	184

Note:

1. RW = Read/Write, RO = Read Only.

Register 1.32818 to 1.32821 - Package Identifier (OUI) = Xenpak

Bit(s)	Name	Description	R/W ¹	Default Value (dec)
1.32818.7:0	Package Identifier	Package Identifier	RO	0
1.32819.7:0	Package Identifier	Package Identifier	RO	65
1.32820.7:2	Package Identifier	Package Identifier	RO	244
1.32820.1:0	NVR Address	NVR Device Address	RO	
1.32821.7:5	NVR Address	NVR Device Address	RO	32
1.32821.4:1	Revision Number	Revision Number	RO	
1.32821.0	Reserved	Reserved		

Register 1.32822 to 1.32825 - Vendor (OUI) = Agilent

Bit(s)	Name	Description	R/W ¹	Default Value (dec)
1.32822.7:0	Vendor OUI	Vendor OUI	RO	0
1.32823.7:0	Vendor OUI	Vendor OUI	RO	51
1.32824.7:2	Vendor OUI	Vendor OUI	RO	54
1.32824.1:0	Model No	Model Number	RO	
1.32825.7:4	Model No	Model Number	RO	0
1.32825.3:0	Rev No	Revision Number	RO	

Register 1.32826 to 1.32841 - Vendor Name (ASCII)

Bit(s)	Name	Description	R/W ¹	Default Value
1.32826.7:0	Vendor Name	Vendor Name byte 15 (MSB:LSB)	RO	A (65)
1.32827.7:0	Vendor Name	Vendor Name byte 14 (MSB:LSB)	RO	G (71)
1.32828.7:0	Vendor Name	Vendor Name byte 13 (MSB:LSB)	RO	I (73)
1.32829.7:0	Vendor Name	Vendor Name byte 12 (MSB:LSB)	RO	L (76)
1.32830.7:0	Vendor Name	Vendor Name byte 11 (MSB:LSB)	RO	E (69)
1.32831.7:0	Vendor Name	Vendor Name byte 10 (MSB:LSB)	RO	N (78)
1.32832.7:0	Vendor Name	Vendor Name byte 9 (MSB:LSB)	RO	T (84)
1.32833.7:0	Vendor Name	Vendor Name byte 8 (MSB:LSB)	RO	SPACE (32)
1.32834.7:0	Vendor Name	Vendor Name byte 7 (MSB:LSB)	RO	SPACE (32)
1.32835.7:0	Vendor Name	Vendor Name byte 6 (MSB:LSB)	RO	SPACE (32)
1.32836.7:0	Vendor Name	Vendor Name byte 5 (MSB:LSB)	RO	SPACE (32)
1.32837.7:0	Vendor Name	Vendor Name byte 4 (MSB:LSB)	RO	SPACE (32)
1.32838.7:0	Vendor Name	Vendor Name byte 3 (MSB:LSB)	RO	SPACE (32)
1.32839.7:0	Vendor Name	Vendor Name byte 2 (MSB:LSB)	RO	SPACE (32)
1.32840.7:0	Vendor Name	Vendor Name byte 1 (MSB:LSB)	RO	SPACE (32)
1.32841.7:0	Vendor Name	Vendor Name byte 0 (MSB:LSB)	RO	SPACE (32)

Note:

1. RW = Read/Write, RO = Read Only.

Register 1.32842 to 1.32857 - Vendor Part Number (ASCII)

Bit(s)	Name	Description	R/W ¹	Default Value (dec)
1.32842.7:0	Vendor Part No	Vendor Part No. byte 15 (MSB:LSB)	RO	H (72)
1.32843.7:0	Vendor Part No	Vendor Part No. byte 14 (MSB:LSB)	RO	F (70)
1.32844.7:0	Vendor Part No	Vendor Part No. byte 13 (MSB:LSB)	RO	C (67)
1.32845.7:0	Vendor Part No	Vendor Part No. byte 12 (MSB:LSB)	RO	T (84)
1.32846.7:0	Vendor Part No	Vendor Part No. byte 11 (MSB:LSB)	RO	- (45)
1.32847.7:0	Vendor Part No	Vendor Part No. byte 10 (MSB:LSB)	RO	7 (55)
1.32848.7:0	Vendor Part No	Vendor Part No. byte 9 (MSB:LSB)	RO	0 (48)
1.32849.7:0	Vendor Part No	Vendor Part No. byte 8 (MSB:LSB)	RO	1 (49)
1.32850.7:0	Vendor Part No	Vendor Part No. byte 7 (MSB:LSB)	RO	X (88)
1.32851.7:0	Vendor Part No	Vendor Part No. byte 6 (MSB:LSB)	RO	B (66)
1.32852.7:0	Vendor Part No	Vendor Part No. byte 5 (MSB:LSB)	RO	D (68)
1.32853.7:0	Vendor Part No	Vendor Part No. byte 4 (MSB:LSB)	RO	SPACE (32)
1.32854.7:0	Vendor Part No	Vendor Part No. byte 3 (MSB:LSB)	RO	SPACE (32)
1.32855.7:0	Vendor Part No	Vendor Part No. byte 2 (MSB:LSB)	RO	SPACE (32)
1.32856.7:0	Vendor Part No	Vendor Part No. byte 1 (MSB:LSB)	RO	SPACE (32)
1.32857.7:0	Vendor Part No	Vendor Part No. byte 0 (MSB:LSB)	RO	SPACE (32)

Register 1.32858 to 1.32859 - Vendor Revision (ASCII)

Bit(s)	Name	Description	R/W ¹	Default Value (ASCII)
1.32858.7:0	Vendor Rev	Revision Upper Byte (MSB:LSB)	RO	48
1.32859.7:0	Vendor Rev	Revision Lower Byte (MSB:LSB)	RO	49

Register 1.32860 to 1.32875 - Vendor Serial Number (ASCII)

Bit(s)	Name	Description	R/W ¹	Default Value
1.32860.7:0	Vendor Serial No	Vendor Serial No. byte 15 (MSB:LSB)		
1.32861.7:0	Vendor Serial No	Vendor Serial No. byte 14 (MSB:LSB)		
1.32862.7:0	Vendor Serial No	Vendor Serial No. byte 13 (MSB:LSB)	RO	-
1.32863.7:0	Vendor Serial No	Vendor Serial No. byte 12 (MSB:LSB)	RO	-
1.32864.7:0	Vendor Serial No	Vendor Serial No. byte 11 (MSB:LSB)	RO	-
1.32865.7:0	Vendor Serial No	Vendor Serial No. byte 10 (MSB:LSB)	RO	-
1.32866.7:0	Vendor Serial No	Vendor Serial No. byte 9 (MSB:LSB)	RO	-
1.32867.7:0	Vendor Serial No	Vendor Serial No. byte 8 (MSB:LSB)	RO	-
1.32868.7:0	Vendor Serial No	Vendor Serial No. byte 7 (MSB:LSB)	RO	-
1.32869.7:0	Vendor Serial No	Vendor Serial No. byte 6 (MSB:LSB)	RO	-
1.32870.7:0	Vendor Serial No	Vendor Serial No. byte 5 (MSB:LSB)	RO	-
1.32871.7:0	Vendor Serial No	Vendor Serial No. byte 4 (MSB:LSB)	RO	-
1.32872.7:0	Vendor Serial No	Vendor Serial No. byte 3 (MSB:LSB)	RO	-
1.32873.7:0	Vendor Serial No	Vendor Serial No. byte 2 (MSB:LSB)	RO	-
1.32874.7:0	Vendor Serial No	Vendor Serial No. byte 1 (MSB:LSB)	RO	-
1.32875.7:0	Vendor Serial No	Vendor Serial No. byte 0 (MSB:LSB)	RO	-

Note:

1. RW = Read/Write, RO = Read Only.

Register 1.32876 to 1.32885 - Date Code (ASCII)

Bit(s)	Name	Description	R/W ¹	Default Value
1.32876.7:0	Year (1000's)	Year in 1000's (bit 7=MSB, bit 0=LSB)		
1.32877.7:0	Year (100's)	Year in 100's (bit 7=MSB, bit 0=LSB)		
1.32878.7:0	Year (10's)	Year in 10's (bit 7=MSB, bit 0=LSB)	RO	-
1.32879.7:0	Year (1's)	Year Units (bit 7=MSB, bit 0=LSB)	RO	-
1.32880.7:0	Month (10's)	Month in 10's (bit 7=MSB, bit 0=LSB)	RO	-
1.32881.7:0	Month (1's)	Month in units (bit 7=MSB, bit 0=LSB)	RO	-
1.32882.7:0	Day (10's)	Day in 10's (bit 7=MSB, bit 0=LSB)	RO	-
1.32883.7:0	Day (1's)	Day in Units (bit 7=MSB, bit 0=LSB)	RO	-
1.32884.7:0	Lot Code (10's)	Lot code in 10's (bit 7=MSB, bit 0=LSB)	RO	-
1.32885.7:0	Lot Code (1's)	Lot code in units (bit 7=MSB, bit 0=LSB)	RO	-

Register 1.32886 - 5 V Stressed Environment

Bit(s)	Name	Description	R/W ¹	Default Value
1.32886.7:0	5V Supply	5 V stressed environment reference	RO	0

Register 1.32887 - 3.3 V Stressed Environment

Bit(s)	Name	Description	R/W ¹	Default Value
1.32887.7:0	3.3V Supply	3.3 V stressed environment reference	RO	32

Register 1.32888 - APS Stressed Environment

Bit(s)	Name	Description	R/W ¹	Default Value
1.32888.7:0	APS Supply	APS stressed environment reference	RO	1

Register 1.32889 - APS Voltage

Bit(s)	Name	Description	R/W ¹	Default Value
1.32889.7:0	APS Voltage	Nominal APS voltage (1.8V)	RO	32

Register 1.32890 - DOM Capability

Bit(s)	Name	Description	R/W ¹	Default Value
1.32890.7	Status	DOM Control/Status Register: 0 = not implemented 1 = implemented	RO	1
1.32890.6	DOM set	Set when DOM implemented	RO	1
1.32890.5	WDM capability	WDM lane by lane DOM capability: setting this bit indicates that registers A0C0-A0FF are valid. Setting this bit will NOT override indications placed in register A06F (DOM capability)	RO	0
1.32890.4	Laser bias scale	Laser bias scale factor: 0 = 2 μ A 1 = 10 μ A	RO	1
1.32890.2:0	External DOM	Address of external DOM device	RO	001

Register 1.32891 - Reversed

Bit(s)	Name	Description	R/W ¹	Default Value
1.32891.7:0	DOM Control/Status	DOM Control/Status	RO	

Register 1.32894 - 1.32941 Customer Writeable Area

Bit(s)	Name	Description	R/W ¹	Default Value
1.32894.7:0	Start of writeable area	Start of customer writeable Area	RO	
1.32941.7:0	End of writeable area	End of customer writeable area	RO	

Note:

1. RW = Read/Write, RO = Read Only.

Register 1.32942 to 1.33030 - Vendor Specific

Bit(s)	Name	Description	R/W ¹	Default Value
1.32942.7:0 to 1.33030.7:0		Vendor Specific	RO	

Register 1.33030 - Extended Vendor Specific

Bit(s)	Name	Description	R/W ¹	Default Value
1.33031.7:0		Extended Vendor Specific	RO	

Register 1.36864 RX_ALARM Control (see also Table 1.36867 RX_ALARM Status)

Bit(s)	Name	Description	R/W ¹	Default Value
1.36864. 15:11	Reserved	Reserved	RO	0
1.36864. 6	PHY_XS receive buffer error enable	1 = PHY_XS receive buffer over/underflow error enable 0 = disabled	RW	0
1.36864. 5	Receive optical power fault	1 = Receive Optical Power Fault Enable 0 = Receive Optical Power Fault Disable		
1.36864. 4	PMA/PMD local fault	1 = PMA/PMD Receiver Local Fault Enable 0 = PMA/PMD Receiver Local Fault Disable		1
1.36864. 3	PCS local fault	1 = PCS Receiver Local Fault Enable 0 = PCS Receiver Local Fault Disable	RW	1
1.36864.2	PCS Receive Code	1 = Violation Enable 0 = Violation Disable		
1.36864.1	RX Flag	1 = Enabled 0 = Disabled	RW	0
1.36864.0	PHY XS Receive local fault	1 = PHY XS Receive Local Fault Enable 0 = PHY XS Receive Local Fault Disable	RW	1

Register 1.36865 TX_ALARM Control (see also Table 1.36868 TX_ALARM Status)

Bit(s)	Name	Description	R/W ¹	Default Value
1.36865. 15:11	Reserved	Reserved	RO	0
1.36865. 10	PHY_XS code violation error	1 = PHY_XS code violation error enabled 0 = PHY_XS code violation error disabled	RW	Note 3
1.36865. 9	Laser bias current fault	1 = Laser Bias Current Fault Enable 0 = Laser Bias Current Fault Disable	Note 2	0 Note 2
1.36865. 8	Laser temp fault	1 = Laser Temperature Fault Enable 0 = Laser Temperature Fault Disable	Note 2	0
1.36865. 7	Laser output fault	1 = Laser Output Power Fault Enable 0 = Laser Output Power Fault Disable	Note 2	0
1.36865. 6	Transmitter Fault	1 = Transmitter Fault Enable 0 = Transmitter Fault Disable	RW	1
1.36865. 5	Transmitter Loss of Lock	1 = Transmitter Loss of Lock enabled 0 = Transmitter Loss of Lock disabled	RW	Note 3
1.36865. 4	PMA/PMD transmit fault	1 = PMA/PMD Transmitter Local Fault Enable 0 = PMA/PMD Transmitter Local Fault Disable	Note 2	1
1.36865.3	PCS transmit fault	1 = PCS Transmit Local Fault Enable 0 = PCS Transmit Local Fault Disable	RW	1
1.36865.2	PCS buffer over/underflow	1 = PCS buffer over/underflow enabled 0 = PCS buffer over/underflow disabled	RW	0
1.36865.1	TX Flag	1 = TX flag enabled 0 = TX flag disabled	RW	0
1.36865.0	PHY XS transmit fault	1 = PHY XS Transmit Local Fault Enable 0 = PHY XS Transmit Local Fault Disable	RW	1

Note:

1. RW = Read/Write, RO = Read Only.
2. Optional features that are not implemented shall have their enable bit forced to zero. When implemented, the default value for the control bit shall be 1.
3. The default value for a vendor specific bit shall be vendor specific.

Register 1.36866 - LASI Control (see also Table 1.36869 LASI Status)

Bit(s)	Name	Description	R/W ¹	Default Value
1.36866.15:8	Reserved	Reserved	RO	0
1.36866.6	MON3P3V_IN supply too low	1 = Enable detection of supply too low 0 = Disable detection of supply too low	RW	
1.36866.5	3.3V supply too low	1 = Enable detection of supply too low 0 = Disable detection of supply too low	RW	0
1.36866.4	1.8V supply too low	1 = Enable detection of supply too low 0 = Disable detection of supply too low	RW	0
1.36866.3	LASI test data	1 = Enable LASI test data 0 = Disable LASI test data	RW	0
1.36866.2	RX alarm	1 = RX_ALARM enable 0 = RX_ALARM disable	RW	0
1.36866.1	TX alarm	1 = TX_ALARM enable 0 = TX_ALARM disable	RW	0
1.36866.0	LS alarm	1 = LS_ALARM enable 0 = LS_ALARM disable	RW	0

Register 1.36867 - RX_ALARM Status (see also Table 1.36864 - RX_ALARM Control)

Bit(s)	Name	Description	R/W ¹	Default Value
1.36867.15:11	Reserved	Reserved	RO/RW	
1.36867.6	PHY_XS receive buffer error enable	1 = PHY XS receive buffer over/underflow enabled 0 = PHY XS receive buffer over/underflow disabled	RO/LH	
1.36867.5	Receive optical power fault	Local fault condition detected in optical power fault	RO/LH	
1.36867.4	PMA/PMD Receive local fault	PMA/PMD receive local fault (A mirror of 1.8.10)	RO/LH	
1.36867.3	PCS Receive local fault	PCS receive local fault (A mirror of 3.8.10)	RO/LH	
1.36867.2	PCS receive code violation	Local fault condition detected in code violation	RO/LH	
1.36867.1	RX flag		RO/LH	
1.36867.0	PHY-XS Receive local fault	PHY_XS receive local fault. (A mirror of 4.8.10)	RO/LH	

Register 1.36868 - TX_ALARM Status (see also Table 1.36865 TX_ALARM Control)

Bit(s)	Name	Description	R/W ¹	Default Value
1.36868.15:11	Reserved	Reserved	RO	
1.36868.10	PHY_XS code violation enable	PHY_XS code violation error enable	RO/LH	
1.36868.9	Laser bias fault	ADC channel 2 Laser Bias Current Fault	RO/LH	
1.36868.8	Laser temp fault	ADC channel 1 Laser Temperature Fault	RO/LH	
1.36868.7	Laser power fault	ADC channel 0 Laser Output Power Fault	RO/LH	
1.36868.6	Transmitter fault	Transmitter Fault	RO/LH	
1.36868.5	Transmitter loss of lock		RO/LH	
1.36868.4	PMA/PMD transmit local fault	PMA/PMD Transmitter Local Fault (linked to 1.8.11)	RO/LH	
1.36868.3	PCS transmit local fault	PCS Transmit Local Fault (linked to 3.8.11)	RO/LH	
1.36868.2	PCS buffer over/underflow error	Linked to 4.49154.8:9	RO/LH	
1.36868.1	TX_flag		RO/LH	
1.36868.0	PHY XS transmit local fault	PHY XS Transmit Local Fault (linked to 4.8.11)	RO/LH	

Note:

1. RW = Read/Write, RO = Read Only, LH = Latch High, clear on read (note that if the condition exists following register read, the bit will not be cleared).

Register 1.36869 - LASI Status (see also Table 1.36866 LASI Control)

Bit(s)	Name	Description	R/W ¹	Default Value
1.36869.15:7	Reserved	Reserved	RO	
1.36869.6	MON3P3V_IN supply alarm	1 = 3.3V supply too low 0 = no alarm	RO/LH	
1.36869.5	3.3V supply alarm	1 = 3.3V supply too low 0 = no alarm	RO/LH	
1.36869.4	1.8V supply alarm	1 = 1.8V supply too low 0 = no alarm	RO/LH	
1.36869.3	LASI test data	Local fault condition detected in test data	RW	
1.36869.2	RX_ALARM	1 = Local fault condition detected in RX_ALARM 0 = No alarm	RO ²	
1.36869.1	TX_ALARM	1 = Local fault condition detected in TX_ALARM 0 = No alarm	RO ²	
1.36869.0	LS_ALARM	1 = Local fault condition detected in status change 0 = No status change	LH	

Register 1.49153 - Extended PMA Features

Bit(s)	Name	Description	R/W ¹	Default Value
1.49153.15:11	Reserved	N/A		
1.49153.10	RXLOSB_I override	1 = RXLOSB_I override 0 = no override	RW	0
1.49153.9	PMA Network loopback data out	1 = Transmit all idles at RxXAUI when in network loopback mode 0 = Receive data at RxXAUI when in network loopback mode	RW	
1.49153.8:5	Reserved	N/A		
1.49153.4	PMA Network loopback mode	1 = Enable network loopback 0 = Disable network loopback	RW	
1.49153.3	Reserved	N/A		
1.49153.2	refmon	0 = REFCLK present	RO	1
1.49153.1	syn_err	1 = Recovered clock rate error	RO	1
1.49153.0	txlock	1 = Fiber transmit PLL in lock	RO	1

Notes:

1. RW = Read/Write, RO = Read Only, LH = Latch High, clear on read (note that if the condition exists following register read, the bit will not be cleared).
2. The RX_ALARM and TX_ALARM indications are the logic OR of the contents of registers 0x9003 and 0x9004 respectively. Therefore, these alarms will persist until the bit(s) reflecting the source of interrupt are cleared.

Register 1.49155 - PMA/PMD Vendor Specific

Bit(s)	Name	Description	R/W ¹	Default Value
1.49155.15:14	EEPROM test mode	00 = 37kHz 01 = high frequency test mode 10 = debug mode - do not use 11 = debug mode - do not use	RW	
1.49155.13	EEPROM detect	1 = Detected	RO	
1.49155.12	EEPROM error	1 = EEPROM error	RO/LH	
1.49155.11	EEPROM active	1 = EEPROM access in progress, MDIO writes to EEPROM registers ignored	RO	
1.49155.10:8	Reserved		RO	
1.49155.7	EEPROM checksum OK	1 = OK	RO/LH	
1.49155.6	Reserved		RO	
1.49155.5:4	EEPROM 256 byte read cycle burst size	Size Bit1 Bit0 1 0 0 8 0 1 16 1 0 256 1 1	RW	11
1.49155.3:2	Reserved		RO	
1.49155.1:0	EEPROM 256 byte write cycle burst size	Size Bit1 Bit0 1 0 0 8 0 1 16 1 0 1 1 1	RW	01

Register 1.49156 - PMA/PMD Vendor Specific Checksum

Bit(s)	Name	Description	R/W ¹	Default Value
1.49156.15:8	EEPROM calculated checksum		RO	
1.49156.7:4	Reserved		RO	
1.49156.3:2	EEPROM 256 byte write cycle burst size	Size Bit1 Bit0 1 0 0 8 0 1 16 1 0 1 1 1	RW	01
1.49156.1:0	DOM write command	Bit1 Bit0 Command 0 0 Reserved 0 1 Reserved 1 0 Reserved 1 1 Write 256 bytes	RW	

Register 1.49188 - PMA Vendor Specific

Bit(s)	Name	Description	R/W ¹	Default Value
1.49188.15:4	Reserved		RO	
1.49188.3	TXPLOUT frequency selection	1 = 10 GHz 0 = 156 MHz	RW	0
1.49188.2	Reserved		RO	
1.49188.1	TXPLOUT enable	1 = enabled 0 = disabled	RW	0
1.49188.0	EEPROM_SCL tristate	1 = tristate 0 = not tristate	RW	0

Notes:

1. RW = Read/Write, RO = Read Only, LH = Latch High, clear on read (note that if the condition exists following register read, the bit will not be cleared).

HFCT-701XBD Device 3 PCS Registers

Device	From		To		Register Name
	Decimal	Hex	Decimal	Hex	
3	0	0			PCS Control 1
3	1	1			PCS Status 1
3	2	2	3	3	PCS Device identifier
3	4	4			PCS Speed Ability
3	5	5	6	6	PCS Devices in package
3	7	7			10G PCS Control 2
3	8	8			10G PCS Status 2
3	32	20			10GBASE-R PCS Status 1
3	33	21			10GBASE-R PCS Status 2
3	34	22	37	25	10GBASE-R PCS Test Pattern Seed A
3	38	26	41	29	10GBASE-R PCS Test Pattern Seed B
3	42	2A			10GBASE-R PCS Test Pattern Control
3	43	2B			10GBASE-R PCS Test Pattern Error Counter
3					
3					
3	49152	C000			PCS extended features
3	49153	C0001	49157	C005	
3	49158	C006	49169	C011	PCS Vendor Specific

Register 3.0 - PCS Control 1

Bit(s)	Name	Description	R/W ¹	Default Value
3.0.15	PCS 64/66 Reset	1 = PCS reset 0 = Normal operation	RW/SC	
3.0.14	PCSLoopback	1 = Enable loopback mode 0 = Disable loopback mode	RW	0
3.0.13	Speed Selection	1 = Operation at 10 Gb/s and above 0 = Unspecified	RW	
3.0.12	Reserved		RW	
3.0.11	Low power	1 = Low power mode 0 = Normal operation	RW	
3.0.10:7	Reserved		RW	
3.0.6	Speed selection	1 = Operation at 10 Gb/s and above 0 = Unspecified	RW	
3.0.5:2	Speed selection	5 4 3 2 0 0 0 0 = 10 Gb/s	RW	0000
3.0.1:0	Reserved		RW	

Register 3.1 - PCS Status 1

Bit(s)	Name	Description	R/W ¹	Default Value
3.1.15:8	Reserved		RO	
3.1.7	Local fault	1 = Local fault condition detected 0 = Local fault condition not detected (Set to 1 when either 3.8.11 or 3.8.10 set to 1)	RO	
3.1.6:3	Reserved	N/A		
3.1.2	PCS receive link status	1 = PCS receive link up 0 = PCS receive link down	RO/LL	
3.1.1	Low Power ability	1 = PCS supports low power mode 0 = PCS does not support low power mode	RO	
3.1.0	Reserved	N/A	RO	

Register 3.2 to 3.3 - PCS Device Identifier

A mirror of Registers 1.2 to 1.3.

Register 3.4 - PCS Speed Ability

Bit(s)	Name	Description	R/W ¹	Default Value
3.4.15:1	Reserved		RO	N/A
3.4.0	10 G capable	1 = PCS capable of operating at 10 Gb/s 0 = PCS is not capable of operating at 10 Gb/s	RO	1

Register 3.5 to 3.6 - PCS Devices in Package

A mirror of Registers 1.5 to 1.6.

Note:

1. RW = Read/Write, SC = Self Clearing, RO = Read Only, LL = Latching Low.

Register 3.7 - 10 G PCS Control 2

Bit(s)	Name	Description	R/W ¹	Default Value
3.7.15:2	Reserved	N/A		
3.7.1:0	PCS type selection	1 0 0 0 = Select 10GBASE-R PCS type	RW	00

Register 3.8 - 10 G PCS Status 2

Bit(s)	Name	Description	R/W ¹	Default Value
3.8.15:14	Device present	15 14 1 0 = Device responding at this address 1 1 = No device responding at this address 0 1 = No device responding at this address 0 0 = No device responding at this address	RO	
3.8.13:12	Reserved	N/A	RO	
3.8.11	Transmit local fault	1 = Local fault condition on transmit path 0 = No local fault condition on transmit path	RO/LH	
3.8.10	Receive local fault	1 = Local fault condition on receive path 0 = No local fault condition on receive path	RO/LH	
3.8.9:3	Reserved	N/A	RO	
3.8.2	10GBASE-W capable	1 = PCS is able to support 10GBASE-W PCS type 0 = PCS is not able to support 10GBASE-W PCS type	RO	
3.8.1	10GBASE-X capable	1 = PCS is able to support 10GBASE-X PCS type 0 = PCS is not able to support 10GBASE-X PCS type	RO	
3.8.0	10GBASE-R capable	1 = PCS is able to support 10GBASE-R PCS type 0 = PCS is not able to support 10GBASE-R PCS type	RO	

Register 3.32 - 10GBASE-R PCS Status 1

Bit(s)	Name	Description	R/W ¹	Default Value
3.32.15:13	Reserved		RO	
3.32.12	10GBASE-R receive link status	1 = 10GBASE-R PCS receive link up 0 = 10GBASE-R PCS receive link down	RO	
3.32.11:3	Reserved		RO	
3.32.2	PRBS31 pattern testing ability	1 = PCS is able to support PRBS31 pattern testing 0 = PCS is not able to support PRBS31 pattern testing	RO	
3.32.1	10GBASE-R PCS high BER	1 = 10GBASE-R PCS reporting a high BER 0 = 10GBASE-R PCS not reporting a high BER	RO	
3.32.0	10GBASE-R PCS block lock	1 = 10GBASE-R PCS locked to received blocks 0 = 10GBASE-R PCS not locked to received blocks	RO	

Notes:

1. RW = Read/Write, RO = Read Only, LH = Latch High, clear on read (note that if the condition exists following register read, the bit will not be cleared).

Register 3.33 - 10GBASE-R PCS Status 2

Bit(s)	Name	Description	R/W ¹	Default Value
3.33.15	Latched block lock	1 = PCS has reported block lock since last read 0 = PCS has not reported block lock since last read	RO/LL	
3.33.14	Latched high BER	1 = PCS has reported high BER since last read 0 = PCS has not reported high BER since last read	RO/LH	
3.33.13:8	BER	BER counter	RO/NR	
3.33.7:0	Errored blocks	Jitter pattern checker	RO/NR	

Register 3.34 to 3.37 - 10GBASE-R PCS Test Pattern Seed A

Bit(s)	Name	Description	R/W ¹	Default Value
3.37.15:10	Reserved	Value always 0, writes ignored	RW	
3.37.9:0	Test pattern seed A 3	Test pattern seed A bits 48-57	RW	
3.36.15:0	Test pattern seed A 2	Test pattern seed A bits 32-47	RW	
3.35.15:0	Test pattern seed A 1	Test pattern seed A bits 16-31	RW	
3.34.15:0	Test pattern seed A 0	Test pattern seed A bits 0-15	RW	

Register 3.38 to 3.41 - 10GBASE-R PCS Test Pattern Seed B

Bit(s)	Name	Description	R/W ¹	Default Value
3.41.15:10	Reserved	Value always 0, writes ignored	RW	
3.41.9:0	Test pattern seed B 3	Test pattern seed B bits 48-57	RW	
3.40.15:0	Test pattern seed B 2	Test pattern seed B bits 32-47	RW	
3.39.15:0	Test pattern seed B 1	Test pattern seed B bits 16-31	RW	
3.38.15:0	Test pattern seed B 0	Test pattern seed B bits 0-15	RW	

Register 3.42 - 10GBASE-R PCS Test Pattern Control

Bit(s)	Name	Description	R/W ¹	Default Value
3.42.15:6	Reserved	Value always 0, writes ignored	RW	
3.42.5	PRBS31 receive test pattern	1 = Enable PRBS31 test pattern mode on the receive path 0 = Disable PRBS31 test pattern mode on the receive path	RW	0
3.42.4	PRBS31 transmit test pattern	1 = Enable PRBS31 test pattern mode on the transmit path 0 = Disable PRBS31 test pattern mode on the transmit path	RW	0
3.42.3	Transmit test pattern	1 = Enable transmit test pattern testing 0 = Disable transmit test pattern testing	RW	
3.42.2	Receive test pattern	1 = Enable receive test pattern testing 0 = Disable receive test pattern testing	RW	
3.42.1	Test pattern select	1 = Square wave test pattern 0 = Pseudo random test pattern	RW	
3.42.0	Data pattern select	1 = Zeros data pattern 0 = LF data pattern	RW	

Notes:

1. RW = Read/Write, RO = Read Only, LL = Latching Low, LH = Latch High, clear on read (note that if the condition exists following register read, the bit will not be cleared, NR = Non Roll-Over.

Register 3.43 - 10GBASE-R PCS Test Pattern Error Counter

Bit(s)	Name	Description	R/W ¹	Default Value
3.43.15:0	Test pattern error counter	Error counter LSB = bit 0 MSB = bit 15	RO/NR	

Register 3.49152 - PCS Extended Features

Bit(s)	Name	Description	R/W ¹	Default Value
3.49152.15:8	Diagnostic Register	Diagnostic register	RO	
3.49152.7:6	Reserved	N/A		
3.49152.5	PCS loopback data out	1 = Transmit data at TXOUT when in PCS loopback mode 0 = Transmit a square wave when in PCS loopback mode	RW	0
3.49152.4	Reset transmit PCS	1 = Not reset 0 = ResetNote: not self clearing	RW	1
3.49152.3	Reset receive PCS	1 = Not reset 0 = ResetNote: not self clearing	RW	1
3.49152.2	TX scrambler bypass	1 = Bypass	RW	0
3.49152.1	RX scrambler bypass	1 = Bypass	RW	0
3.49152.0	64/66 encoder error	1 = Error	RO/LH	0

Register 3.49153 - 3.49157 - PCS Vendor Specific

Bit(s)	Name	Description	R/W ¹	Default Value
3.49153.15:0	Diagnostic registers			
3.49154.15:0				
3.49155.15:0				
3.49156.15:0				
3.49157.15:0				

Register 3.49158 - PCS Vendor Specific

Bit(s)	Name	Description	R/W ¹	Default Value
3.49158.15:7	Vendor Specific	Fiber PRBS error count	RO	
3.49158.6:0	Receive Frame Offset		RO	

Register 3.49159 - PCS Vendor Specific Receive Path PACKET Checker

Bit(s)	Name	Description	R/W ¹	Default Value
3.49159.15:0	First 16 bits of XGMII bus error flag	1 = error at this bit location	RO/LH	

Register 3.49160 - PCS Vendor Specific Receive Path PACKET Checker

Bit(s)	Name	Description	R/W ¹	Default Value
3.49160.15:0	Second 16 bits of XGMII bus error flag	1 = error at this bit location	RO/LH	

Register 3.49161 - PCS Vendor Specific Receive Path PACKET Checker Status

Bit(s)	Name	Description	R/W ¹	Default Value
3.49161.15:6	Vendor Specific	Reserved	RO	
3.49161.5	rx_idle_err_flag	Received a full packet but with start or idle errors	RO/LH	
3.49161.4	rx_start_err_flag	Received a full packer but with preamble errors	RO/LH	
3.49161.3	rx_data_err_flag	Received a full packet but long packet	RO/LH	
3.49161.2	rx_long_pkt_flag	Received a full packet but long packet	RO/LH	
3.49161.1	rx_short_pkt_flag	Received a full packet but short packet	RO/LH	
3.49161.0	rx_term_err_flag	Set if terminate received but the next byte is not an idle	RO/LH	

Notes:

1. RW = Read/Write, RO = Read Only, LH = Latch High, clear on read (note that if the condition exists following register read, the bit will not be cleared, NR = Non Roll-Over.

Register 3.49162 - PCS Vendor Specific Transmit Path PACKET Checker

Bit(s)	Name	Description	R/W ¹	Default Value
3.49162.15:0	First 16 bits of XGMII bus error flag	1 = error at this bit location	RO/LH	

Register 3.49163 - PCS Vendor Specific Transmit Path PACKET Checker

Bit(s)	Name	Description	R/W ¹	Default Value
3.49163.15:0	Second 16 bits of XGMII bus error flag	1 = error at this bit location	RO/LH	

Register 3.49164 - PCS Vendor Specific PACKET Generator/Checker

Bit(s)	Name	Description	R/W ¹	Default Value
3.49164.15:6	Packet generator idle size		RW	
3.49164.5	tx_idle_err_flag	Received a full packet but with start or idle errors	RO/LH	
3.49164.4	tx_start_err_flag	Received a full packet but with preamble errors	RO/LH	
3.49164.3	tx_data_err_flag	Received a full packet but with long packet	RO/LH	
3.49164.2	tx_long_pkt_flag	Received a full packet but with long packet	RO/LH	
3.49164.1	tx_short_pkt_flag	Received a full packet but with short packet	RO/LH	
3.49164.0	tx_term_err_flag	Set if terminate received but the next byte is not an idle	RO/LH	

Register 3.49165 - PCS Vendor Specific PACKET Generator

Bit(s)	Name	Description	R/W ¹	Default Value
3.49165.15:0	Fixed pattern	First 16 bits of XGMII	RW	

Register 3.49166 - PCS Vendor Specific PACKET Generator

Bit(s)	Name	Description	R/W ¹	Default Value
3.49166.15:0	Fixed pattern	Second 16 bits of XGMII	RW	

Register 3.49167 - PCS Vendor Specific PACKET Generator

Bit(s)	Name	Description	R/W ¹	Default Value
3.49167.15:14	Vendor Specific	Reserved	RO	
3.49167.13	Tx path pattern checker	1 = enabled 0 = disabled	RW	0
3.49167.12	Tx path pattern generator	1 = enabled 0 = disabled	RW	0
3.49167.11	Rx path pattern checker	1 = enabled 0 = disabled	RW	0
3.49167.10	Rx path pattern generator	1 = enabled 0 = disabled	RW	0
3.49167.9	Packet type	1 = increment pattern 0 = fixed pattern	RW	
3.49167.8:0	Data packet size divided by 4		RW	

Notes:

1. RW = Read/Write, RO = Read Only, LH = Latch High, clear on read (note that if the condition exists following register read, the bit will not be cleared).

Register 3.49169 - PCS Vendor Specific

Bit(s)	Name	Description	R/W ¹	Default Value
3.49169.15:2	Reserved		RO	
3.49169.1	Gearbox FIFO error	Diagnostic register	RO	
3.49169.0	Frame sync FIFO error	Diagnostic register	RO	

Note:

1. RW = Read/Write, RO = Read Only.

HFCT-701XBD Device 4 PHYXS Registers

Device	From		To		Register Name
	Decimal	Hex	Decimal	Hex	
4	0	0			PHY XS Control 1
4	1	1			PHY XS Status 1
4	2	2	3	3	PHY XS Device identifier
4	4	4			PHY XS Speed Ability
4	5	5	6	6	PHY XS Devices in package
4	8	8			PHY XS Status 2
4	14	E	15	F	PHY XS Package identifier
4	24	18			10G PHY XGXS Lane Status
4	25	19			10G PHY XGXS Test Control
4	49152	C000			PHY_XS Extended Features
4	49153	C001			PHY_XS Extended Features
4	49154	C002	49160	C008	PHY_XS Vendor Specific

Register 4.0 - PHY_XS Control 1

Bit(s)	Name	Description	R/W ¹	Default Value
4.0.15	Global Reset	1 = reset 0 = Normal operation	RW/SC	
4.0.14	Loopback	1 = Enable PHY XS loopback mode 0 = Disable PHY XS loopback mode	RW	0
4.0.13	Speed selection	1 = Operation at 10 Gb/s and above 0 = Unspecified	RW	
4.0.12	Reserved		RW	
4.0.11	Low power	1 = Low power mode 0 = Normal operation	RW	
4.0.10:7	Reserved		RW	
4.0.6	Speed selection	1 = Operation at 10 Gb/s and above 0 = Unspecified	RW	
4.0.5:2	Speed selection	5 4 3 2 0 0 0 0 = 10 Gb/s	RW	0000
4.0.1:0	Reserved	Value always 0, writes ignored	RW	

Register 4.1 - PHY_XS Status 1

Bit(s)	Name	Description	R/W ¹	Default Value
4.1.15:8	Reserved	N/A	RO	
4.1.7	Local fault	1 = Local fault condition detected on PHY XS 0 = Local fault condition not detected on PHY XS	RO	
4.1.6:3	Reserved	N/A	RO	
4.1.2	PHY XS transmit link status	1 = The PHY XS transmit link is up 0 = The PHY XS transmit link is down	RO/LL	
4.1.1	Low Power ability	1 = PHYXS supports low power mode 0 = PHYXS does not support low power mode	RO	1
4.1.0	Reserved	N/A	RO	

Register 4.2 to 4.3 - Device Identifier

A mirror of Registers 1.2 to 1.3.

Register 4.4 - PHY_XS Speed Ability

Bit(s)	Name	Description	R/W ¹	Default Value
4.4.15:1	Reserved for future speeds		RO	
4.4.0	10 G capable	1 = PHYXS is capable of operating at 10 Gb/s 0 = PHYXS is not capable of operating at 10 Gb/s	RO	1

Register 4.5 to 4.6 - Device in Package

A mirror of Registers 1.5 to 1.6.

Notes:

1. RW = Read/Write, SC = Self Clearing, RO = Read Only, LL = Latching Low.

Register 4.8 - PHY_XS Status 2

Bit(s)	Name	Description	R/W ¹	Default Value
4.8.15:14	Device present	15 14 1 0 = Device responding at this address 1 1 = No device responding at this address 0 1 = No device responding at this address 0 0 = No device responding at this address	RO	10
4.8.13:12	Reserved	N/A		
4.8.11	Transmit local fault	1 = Local fault condition on transmit path of PHY XS 0 = No local fault condition on transmit path of PHY XS	RO/LH	
4.8.10	Receive local fault	1 = Fault condition on receive path of PHY XS 0 = No fault condition on receive path of PHY XS	RO/LH	
4.8.9:0	Reserved	N/A	RO	

Register 4.14 to 4.15 - Package Identifier (OUI)

A mirror of Registers 1.32818 to 1.32821.

Register 4.24 - 10G PHY_XGXS Lane Status

Bit(s)	Name	Description	R/W ¹	Default Value
4.24.15:13	Reserved	N/A	RO	
4.24.12	PHY XGXS lane alignment status	1 = PHY XGXS transmit lanes aligned 0 = PHY XGXS transmit lanes not aligned	RO	
4.24.11	Pattern testing ability	1 = PHY XGXS is able to generate test patterns 0 = PHY XGXS is not able to generate test patterns	RO	1
4.24.10	PHY XGXS loopback ability	1 = PHY XGXS has the ability to perform a loopback function 0 = PHY XGXS does not have the ability to perform a loopback function	RO	1
4.24.9:4	Reserved	N/A	RO	
4.24.3	Lane 3 sync	1 = Lane 3 is synchronized 0 = Lane 3 is not synchronized	RO	N/A
4.24.2	Lane 2 sync	1 = Lane 2 is synchronized 0 = Lane 2 is not synchronized	RO	N/A
4.24.1	Lane 1 sync	1 = Lane 1 is synchronized 0 = Lane 1 is not synchronized	RO	N/A
4.24.0	Lane 0 sync	1 = Lane 0 is synchronized 0 = Lane 0 is not synchronized	RO	N/A

Register 4.25 - 10 G PHY_XGXS Test Control

Bit(s)	Name	Description	R/W ¹	Default Value
4.25.15:3	Reserved	N/A	RW	
4.25.2	Receive test pattern enable	1 = Receive test pattern enabled 0 = Receive test pattern not enabled	RW	0
4.25.1:0	Test pattern select	1 0 1 1 = Reserved 1 0 = Mixed frequency test pattern 0 1 = Low frequency test pattern 0 0 = High frequency test pattern	RW	

Notes:

1. RW = Read/Write, RO = Read Only, LH = Latch High, clear on read (note that if the condition exists following register read, the bit will not be cleared).

Register 4.49152 - PHY_XS Extended Features

Bit(s)	Name	Description	R/W ¹	Default Value
4.49152.15	XAUI system loopback data out enable	1 = Transmit data at TXOUT when in PHY_XS loopback mode 0 = Transmit all 1's when in PHY_XS loopback mode	RW	0
4.49152.14	XAUI system loopback (Tx - >Rx path) enable	1 = Enable XAUI loopback	RW	0
4.49152.13	XAUI PRBS enable	1 = Enable PRBS	RW	0
4.49152.12	XAUI analog monitor point control	1 = XAUI lane 3 recovered data 0 = XAUI lane 3 recovered clock		
4.49152.11:8	Reserved	N/A		
4.49152.7	Lane 3 locked	1 = lane 3 in lock	RO	N/A
4.49152.6	Lane 2 locked	1 = lane 2 in lock	RO	N/A
4.49152.5	Lane 1 locked	1 = lane 1 in lock	RO	N/A
4.49152.4	Lane 0 locked	1 = lane 0 in lock	RO	N/A
4.49152.3	XAUI PLL locked	1 = XAUI PLL locked	RO	N/A
4.49152.2	XAUI external reference clock mode	1 = external clock 0 = internal reference clock	RW	0
4.49152.1	Receive XGXS reset	1 = Not reset 0 = Reset Note: not self clearing	RW	1
4.49152.0	Transmit XGXS reset	1 = Not reset 0 = Reset Note: not self clearing	RW	1

Register 4.49153 - PHY_XS Extended Features

Bit(s)	Name	Description	R/W ¹	Default Value
4.49153.15:8	Reserved	N/A	RO	
4.49153.7	XAUI lane 7 PRBS error	1 = error	RO/LH	
4.49153.6	XAUI lane 6 PRBS error	1 = error	RO/LH	
4.49153.5	XAUI lane 5 PRBS error	1 = error	RO/LH	
4.49153.4	XAUI lane 4 PRBS error	1 = error	RO/LH	
4.49153.3	XAUI lane 3 PRBS error	1 = error	RO/LH	-
4.49153.2	XAUI lane 2 PRBS error	1 = error	RO/LH	-
4.49153.1	XAUI lane 1 PRBS error	1 = error	RO/LH	-
4.49153.0	XAUI lane 0 PRBS error	1 = error	RO/LH	-

Notes:

1. RW = Read/Write, RO = Read Only.

Register 4.49154 - PHY_XS Vendor Specific

Bit(s)	Name	Description	R/W ¹	Default Value
4.49154.15:10	Vendor Specific	Reserved	RO	
4.49154.9	XGXS Tx rate adjust overflow	1 = Overflow(linked to 1.36868.2)	RO/LH	Note 2
4.49154.8	XGXS Tx rate adjust underflow	1 = Underflow(linked to 1.36868.2)	RO/LH	Note 2
4.49154.7	XGXS Rx rate overflow	1 = Overflow(linked to 1.36867.6)	RO/LH	Note 2
4.49154.6	XGXS Rx rate adjust underflow	1 = Underflow(linked to 1.36867.6)	RO/LH	Note 2
4.49154.5:0	Vendor Specific	Reserved	RO	-

Register 4.49155 - PHY_XS Vendor Specific

Bit(s)	Name	Description	R/W ¹	Default Value
4.49155.15:12	Sync offset XAUI channel 3		RO	
4.49155.11:8	Sync offset XAUI channel 2		RO	
4.49155.7:4	Sync offset XAUI channel 1		RO	
4.49155.3:0	Sync offset XAUI channel 0		RO	

Register 4.49156 - PHY_XS Vendor Specific

Bit(s)	Name	Description	R/W ¹	Default Value
4.49156.15:12	Align offset XAUI channel 3		RO	
4.49156.11:8	Align offset XAUI channel 2		RO	
4.49156.7:4	Align offset XAUI channel 1		RO	
4.49156.3:0	Align offset XAUI channel 0		RO	

Register 4.49157 - PHY_XS Vendor Specific

Bit(s)	Name	Description	R/W ¹	Default Value
4.49157.15	PHY_XS phase_err3	XAUI lane 3 clock phase error, clear on read	RO	
4.49157.14	PHY_XS phase_err2	XAUI lane 2 clock phase error, clear on read	RO	
4.49157.13	PHY_XS phase_err1	XAUI lane 1 clock phase error, clear on read	RO	
4.49157.12	PHY_XS phase_err0	XAUI lane 0 clock phase error, clear on read	RO	
4.49157.11:0	Vendor Specific	Reserved	RO	

Notes:

1. RW = Read/Write, RO = Read Only, LH = Latch High, clear on read (note that if the condition exists following register read, the bit will not be cleared).
2. This bit is linked to an MDIO latched high diagnostic alarm register bit. When either register is read, both bits will be cleared.

Register 4.49158 - PHY_XS Vendor Specific

Bit(s)	Name	Description	R/W ¹	Default Value
4.49158.15:8	Vendor Specific	Reserved	RO	
4.49158.7	Lane 3 upper byte	10B/8B decode error	RO/LH	
4.49158.6	Lane 2 upper byte	10B/8B decode error	RO/LH	
4.49158.5	Lane 1 upper byte	10B/8B decode error	RO/LH	
4.49158.4	Lane 0 upper byte	10B/8B decode error	RO/LH	
4.49158.3	Lane 3 lower byte	10B/8B decode error	RO/LH	
4.49158.2	Lane 2 lower byte	10B/8B decode error	RO/LH	
4.49158.1	Lane 1 lower byte	10B/8B decode error	RO/LH	
4.49158.0	Lane 0 lower byte	10B/8B decode error	RO/LH	

Register 4.49160 - PHY_XS Vendor Specific

Bit(s)	Name	Description	R/W ¹	Default Value
4.49160.15:0	PHY_XS receive code violation counter	Clear on read Bit0 = LSB Bit15 = MSB Note: in Tx path	RO/NR	

Notes:

1. RW = Read/Write, RO = Read Only, LH = Latch High, clear on read (note that if the condition exists following register read, the bit will not be cleared, NR = Non Roll-Over.

XENPAK Digital Optical Monitoring (DOM) Overview

The XENPAK Digital Optical Monitoring (DOM) interface is a derivative of *SFF-8472: Digital Diagnostic Monitoring Interface for Optical Transceivers* appropriate to XENPAK transceivers. This specification defines a 256 byte block of register space that is accessible over the 2 wire serial MDIO/MDC interface.

A memory map is used to access measurements of *transceiver temperature, receive optical power, laser output power, and laser bias current* through the 2 wire serial MDIO/MDC interface. Support for these measurements is indicated through the capability registers (1.41065: DOM Capability and 1.41065: DOM Capability - Extended). The transceiver generates this monitoring data by digitization of internal analog signals, which are calibrated to absolute measurements. Measured parameters are reported in 16 bit data fields (two concatenated bytes).

Alarm flags are required so DOM indicators can be made inputs to the Link Alarm Status Interrupt (LASI) function. Calibrated alarm and warning threshold data is written during device manufacture.

XENPAK Digital Optical Monitoring MDIO Register Space

Device	From		To		Register Name
	Decimal	Hex	Decimal	Hex	
1	40960	A000	40999	A027	Alarm and Warning Thresholds
1	41056	A060	41065	A069	DOM interface

Measured Parameter Definitions

Internally measured transceiver temperature

This value is represented as a 16 bit signed two's complement value in increments of 1/256 degrees Celsius between -40 °C and +125 °C. The HFCT-701XBD accuracy is better than +/- 5 °C between 0 °C and +70 °C.

Table 15. Temperature Value

Temperature	Binary Value		Hexadecimal Value	
	MSB	LSB	MSB	LSB
-40 °C	11011000	00000000	D8	00
0 °C	00000000	00000000	00	00
+125 °C	01111101	00000000	7D	00

Laser Bias Current

Measured laser bias current in μA . Represented as a 16 bit unsigned integer with the current defined as the full 16 bit value (0 - 65535) with LSB equal to 2 μA . Total measurement range is from 0 mA to 655.35 mA. The HFCT-701XBD accuracy is better than +/- 10% of I_{bias} set-point over the operating temperature and voltage range.

Table 16. Current Value (LSB = 2 μA)

Current	Binary Value		Hexadecimal Value	
	MSB	LSB	MSB	LSB
0.0 mA	00000000	00000000	00	00
50.0 mA	01100001	10101000	61	A8
131.07 mA	11111111	11111111	FF	FF

Laser Output Power

Measured laser output power in mW. Represented as a 16 bit unsigned integer with the power defined as the full 16 bit value (0 - 65535) with LSB equal to 0.1 μ W. Total measurement range is from 0 mW to 6.5535 mW (-40 dBm to +8.2 dBm). Data presented is average fiber coupled power and factory calibrated using the most representative fiber type. The HFCT-701XBD accuracy is +/- 2 dB between -8.2 dBm and +1.5 dBm. The data is not valid when transmitter is disabled.

Table 17. Tx Power Value

Power	Binary Value		Hexadecimal Value	
	MSB	LSB	MSB	LSB
0.0 mW	00000000	00000000	00	00
3.0 mW	01110101	00110000	75	30
6.5535 mW	11111111	11111111	FF	FF

Receive Optical Power

Measured receive optical power in mW. This value is represented as a 16 bit unsigned integer with the power defined as the full 16 bit value (0 - 65535) with LSB equal to 0.1 μ W. The Total measurement range is from 0 mW to 6.5535 mW (-40 dBm to +8.2 dBm). The data is average receive power from the fiber into the transceiver. The HFCT-701XBD accuracy is +/- 2dB over average receive power range of -16 dBm to +2 dBm.

Table 18. Rx Power Value

Power	Binary Value		Hexadecimal Value	
	MSB	LSB	MSB	LSB
0.0 mW	00000000	00000000	00	00
1.0 mW	00100111	00010000	27	10
6.5535 mW	11111111	11111111	FF	FF

Table 18a. DOM Accuracy

Parameter	Accuracy Specification (typ)	Accuracy Specification (max)
Rx Power Range	± 1.5 dB (-16 dBm to +2 dBm)	± 2.0 dB (-16 dBm to +2 dBm)
Output Power Range	± 1.0 dB (-8.2 dBm to +0.5 dBm avg)	± 2.0 dB (-8.2 dBm to +0.5 dBm avg)
Temperature Range	± 2 $^{\circ}$ C (-5 $^{\circ}$ C to +75 $^{\circ}$ C)	± 5 $^{\circ}$ C (-5 $^{\circ}$ C to +75 $^{\circ}$ C)
Ibias Range	2 mA to 80 mA	$\pm 10\%$ (2 mA to 80 mA)

Each measured value has a corresponding high alarm, low alarm, high warning, and low warning threshold. These factory-preset values allow the user to determine when a particular value is outside of “normal” limits as programmed by Agilent.

The values in these registers are represented as detailed in Tables 15 to 18.

Table 19. Alarm and Warning Threshold Memory Map

MSB at low address

Device	From Decimal	Hex	To Decimal	Hex	Register Name	Default Value	Meaning
1	40960	A000	40961	A001	Transceiver Temp High Alarm		+70 °C
1	40962	A002	40963	A003	Transceiver Temp Low Alarm		0 °C
1	40964	A004	40965	A005	Transceiver Temp High Warning		+65 °C
1	40966	A006	40967	A007	Transceiver Temp Low Warning		+5 °C
1	40968	A008	40975	A00F	Reserved		
1	40976	A010	40977	A011	Laser Bias Current High Alarm		80 mA
1	40978	A012	40979	A013	Laser Bias Current Low Alarm		10 mA
1	40980	A014	40981	A015	Laser Bias Current High Warning		75 mA
1	40982	A016	40983	A017	Laser Bias Current Low Warning		15 mA
1	40984	A018	40985	A019	Laser Output Power High Alarm		+2.0 dBm
1	40986	A01A	40987	A01B	Laser Output Power Low Alarm		-9.7 dBm
1	40988	A01C	40989	A01D	Laser Output Power High Warning		+1.0 dBm
1	40990	A01E	40991	A01F	Laser Output Power Low Warning		-4.0 dBm
1	40992	A020	40993	A021	Receive Optical Power High Alarm		+2.0 dBm
1	40994	A022	40995	A023	Receive Optical Power Low Alarm		-15.0 dBm
1	40996	A024	40997	A025	Receive Optical Power High Warning		+0.5 dBm
1	40998	A026	40999	A027	Receive Optical Power Low Warning		-12.0 dBm

Monitored A/D Values

Supported measurements are calibrated to stated accuracies over vendor specified operating temperature and voltage and should be interpreted according to previous sections.

Table 20. Monitored A/D Value Memory Map

Device	From Decimal	Hex	To Decimal	Hex	Register Name
1	41056	A060	41057	A061	Transceiver Temp
1	41060	A064	41061	A065	Laser Bias Current
1	41062	A066	41063	A067	Laser Output Power
1	41064	A068	41065	A069	Receive Optical Power

DOM Status/Control Registers

The following register has been reserved in the XENPAK Non-Volatile Register (NVR) space for Digital Optical Monitoring (DOM) Capability.

Register 1.32890

Bit(s)	Name	Description	R/W ¹	Default Value
1.32890.7	Status	DOM Control/Status Register: 0 = not implemented 1 = implemented	RO	1
1.32890.6	DOM set	Set when DOM implemented	RO	1
1.32890.5	WDM capability	WDM lane by lane DOM capability: setting this bit indicates that registers A0C0-A0FF are valid. Setting this bit will NOT override indications placed in register A06F (DOM capability)	RO	0
1.32890.4	Laser bias scale	Laser bias scale factor: 0 = 2 μ A 1 = 10 μ A	RO	1
1.32890.2:0	External DOM	Address of external DOM device	RO	001

Note:

1. RO = Read Only.

Register 1.41071 Digital Optical Monitoring (DOM) Capability - Extended

Bit(s)	Name	Description	R/W ¹	Default Value (dec)
1.41071.7	Temp Monitor capable	Set to indicate transceiver temperature monitoring capable	RO	1
1.41071.6	Laser bias monitor capable	Set to indicate laser bias current monitoring capable	RO	1
1.41071.5	LoP monitor capable	Set to indicate laser output power monitoring capable	RO	1
1.41071.4	Rx power monitor capable	Set to indicate receive optical power monitoring capable	RO	1
1.41071.3	Alarm flags implemented	Set to indicate alarm flags implemented for monitored quantities	RO	1
1.41071.2	Warning flags implemented	Set to indicate warning flags implemented for monitored quantities	RO	1
1.41071.1	LASI inputs = True	Set to indicate monitored quantities are inputs to LASI function. If this bit is set, bit 3 must also be set (i.e. alarm flag support).	RO	1
1.41071.0	0	Reserved	RO	0

The Optional DOM Control/Status Register 1.41216 provides facilities to update MDIO registers with DOM information:

Register 1.41216 Optional Digital Optical Monitoring (DOM) Control/Status

Bit(s)	Name	Description	R/W ¹	Default Value (dec)
1.41216.3:2		Command Status: 00 = Idle 01 = Command completed successfully 10 = Command in progress (indicates MDIO registers being updated with DOM information - See XENPAK MSA Figure 19 for additional information) 11 = Command failed	RO	
1.41216.1:0		Update Commands: 00 = Write to bits initiates a single update of MDIO registers with all bytes of DOM information. Write of this bit combination also stops periodic update modes. 01 = 1 sec periodic update of MDIO registers 10 = 10 sec periodic update of MDIO registers 11 = 60 sec periodic update of MDIO registers	RW	00

Note:

1. RO = Read Only, RW = Read/Write

Notes regarding operation of DOM Control/Status register Update Commands:

Implementation of Control/Status register for periodic update is vendor specific. The recommended operation is as follows:

Step 1. Station Management (STA) initiates periodic update: write to control bits 1.41216.1:0=[<0:1>,<1:0>,<1:1>].

Step 2. MDIO registers updated with all bytes of DOM information: status bits <bit3:bit2>=<1:0> during update.

Step 3. If update successful:

- Status bits <bit3:bit2>=<0:1>.
- STA capable of reading status bits <bit3:bit2> between periodic updates of MDIO registers.
- MDIO registers updated with all bytes of DOM information at next scheduled interval: during update status bits <bit3:bit2>=<1:0>, than are loaded with completion status (i.e. successful or failed).

Step 4. If update failed:

- Status bits <bit3:bit2>=<1:1>.
- Periodic update of MDIO registers stopped: STA capable of query through control/status bits.

Alarm and Warning Flags

MDIO registers 1.41072 to 1.41079 contain alarm and warning flags that monitor measured values in registers 1.41056-1.41069.

Two flag types are defined:

- Alarm flags associated with transceiver temperature, receive optical power, laser output power, and laser bias current. Alarm flags indicate conditions likely to be associated with an in-operational link and cause for immediate action.
- Warning flags associated with transceiver temperature, receive optical power, laser output power, and laser bias current. Warning flags indicate conditions outside the normally guaranteed bounds, but not necessarily causes of immediate link failures.

Registers Alarm and Warning Flag Memory Map

Bit(s)	Name	Description	R/W ¹	Default Value (dec)
1.41072.7	Transceiver Temp High Alarm	Set when transceiver temp exceeds high alarm level	RO	
1.41072.6	Transceiver Temp Low Alarm	Set when transceiver temp is below low alarm level	RO	
1.41072.4-5	Reserved			
1.41072.3	Laser Bias Current High Alarm	Set when laser bias current exceeds high alarm level	RO	
1.41072.2	Laser Bias Current Low Alarm	Set when laser bias current is below low alarm level	RO	
1.41072.1	Laser Output Power High Alarm	Set when laser output power exceeds high alarm level	RO	
1.41072.0	Laser Output Power Low Alarm	Set when laser output power is below low alarm level	RO	
1.41073.7	Receive Optical Power High Alarm	Set when receive optical power exceeds high alarm level	RO	
1.41073.6	Receive Optical Power Low Warning	Set when receive optical power is below low warning level	RO	
1.41073.0-5	Reserved			
1.41074-75.7:1	Reserved			
1.41076.7	Transceiver Temp High Warning	Set when transceiver temp exceeds high warning level	RO	
1.41076.6	Transceiver Low High Warning	Set when transceiver temp is below low warning level	RO	
1.41076.4-5	Reserved			
1.41076.3	Laser Bias Current High Warning	Set when laser bias current exceeds high warning level	RO	
1.41076.2	Laser Bias Current Low Warning	Set when laser bias current is below low warning level	RO	
1.41076.1	Laser Output Power High Warning	Set when laser output power exceeds high warning level	RO	
1.41076.0	Laser Output Power Low Warning	Set when laser output power is below low warning level	RO	
1.41077.7	Receive Optical Power High Warning	Set when receive optical power exceeds high warning level	RO	
1.41077.6	Receive Optical Power Low Warning	Set when receive optical power is below low warning level	RO	
1.41077.0-5	Reserved			
1.41078-9.7:0	Reserved			

Note:

1. RW = Read/Write

Operation

A top-level block diagram of Digital Optical Monitoring (DOM) incorporated into the Link Alarm Status Interrupt (LASI) function is shown in Figure 20.

TX_FLAG Status

Assertion of TX_FLAG indicates that one or more of the transmitter operating parameters (transceiver temperature, laser bias current, or laser output power) exceeds the alarm levels. Tx alarm flags only monitor A/D values in registers 1.41056-1.41069. TX_FLAG shall be the logic OR of the bits in register 1.41072. The contents of the TX_FLAG status register are shown below. Bit 1 of TX_ALARM (TX_FLAG) will have the properties of latch high, clear on read (note that if the condition exists following register read, the bit will not be cleared).

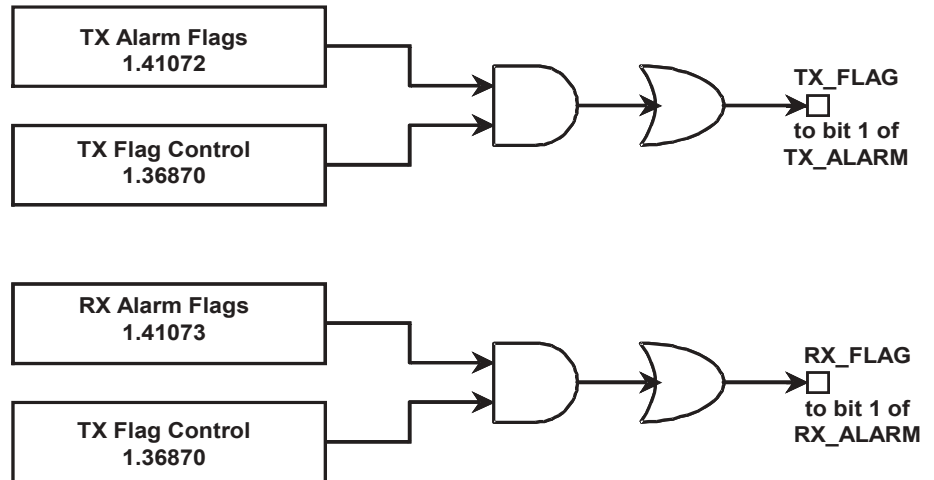


Figure 20. DOM/LASI Block Diagram

Register 1.41072 TX_FLAG Status Bits

Bit(s)	Name	Description	R/W ¹	Default Value (dec)
1.41072.7	Temp High	Transceiver Temperature High Alarm	O/RO	
1.41072.6	Temp Low	Transceiver Temperature Low Alarm	O/RO	
1.41072.5:4		Reserved	RO	
1.41072.3	Current high	Laser Bias Current High Alarm	O/RO	
1.41072.2	Current Low	Laser Bias Current Low Alarm	O/RO	
1.41072.1	LoP High	Laser Output Power High Alarm	O/RO	
1.41072.0	LoP low	Laser Output Power Low Alarm	O/RO	

Notes:

1. O = Optional, RO = Read Only (this register may be optionally implemented as read/write).

TX_FLAG Control

TX_FLAG may be programmed to assert only when specific transmit operation parameters exceed their alarm levels. The programming is performed by writing the contents of a mask register located at offset 1.36870. The contents of register 1.41072 shall be AND'ed with the contents of register 1.36870 prior to application of the OR function that generates the TX_FLAG signal.

Register 1.36870: TX_FLAG Control Bits

Bit(s)	Name	Description	R/W ¹	Default Value (dec)
1.36870.7	Temp high Enable	Transceiver Temp High Alarm Enable	RW	0
1.36870.6	Temp low enable	Transceiver Temp Low Alarm Enable	RW	0
1.36870.5:4		Reserved	RW	0
1.36870.3	Current High enable	Laser Bias Current High Alarm Enable	RW	0
1.36870.2	Current low enable	Laser Bias Current Low Alarm Enable	RW	0
1.36870.1	LoP high enable	Laser Output Power High Alarm Enable	RW	0
1.36870.0	LoP low enable	Laser Output Power Low Alarm Enable	RW	0

RX_FLAG Status

Assertion of RX_FLAG indicates that one or more of the receiver operating parameters (receive optical power) exceeds the alarm levels. Rx alarm flags only monitor A/D values in registers 1.41056-1.41070. RX_FLAG shall be the logic OR of the bits in register 1.41073. The contents of the RX_FLAG status register are shown below. Bit 1 of RX_ALARM (RX_FLAG) will have the properties of latch high, clear on read (note that if the condition exists following register read, the bit will not be cleared).

Register 1.41073: RX_FLAG Status Bits

Bit(s)	Name	Description	R/W ¹	Default Value (dec)
1.41073.7	Rx Power high	Receive Optical Power High Alarm	O/RO	
1.41073.6	Rx power Low	Receive Optical Power Low Alarm	O/RO	
1.41073.5:0		Reserved	RO	

RX_FLAG Control

RX_FLAG may be programmed to assert only when specific receive operation parameters exceed their alarm levels. The programming is performed by writing the contents of a mask register located at offset 1.36871. The contents of register 1.41072 shall be AND'ed with the contents of register 1.36871 prior to application of the OR function that generates the RX_FLAG signal.

Register 1.36871: RX_FLAG Control Bits

Bit(s)	Name	Description	R/W ¹	Default Value (dec)
1.36871.7	Rx power High enable	Receive Optical Power High Alarm Enable	RW	0
1.36871.6	Rx power low enable	Receive Optical Power Low Alarm Enable	RW	0
1.36871.5:0		Reserved	RW	0

Note:

1. RW = Read/Write, O = Optional, RO = Read Only (this register may be optionally implemented as Read/Write).

Regulatory Compliance

The HFCT-701XBD is intended to enable commercial system designers to develop equipment that complies with the various regulations governing Certification of Information Technology equipment (see Table 15).

Electrostatic Discharge (ESD)

There are two design cases in which immunity to ESD damage is important. The first case is during handling of the transceiver prior to plugging into the circuit board. It is important to use normal ESD handling precautions for ESD sensitive devices. These precautions include using grounded wrist straps, work benches and floor mats in ESD controlled areas. The second case to consider is static charges to the exterior of the equipment chassis containing the transceiver parts. To the extent that the SC duplex connector is exposed to the outside of the equipment chassis it may be subject to whatever ESD system level criteria that the equipment is intended to meet.

Electromagnetic Interference (EMI)

Most equipment design utilizing these high speed transceivers from Agilent will be required to meet the requirements of FCC in the United States, CENELEC EN55022 (CISPR 22) in Europe and VCCI in Japan. Performance of the HFCT-701XBD transceiver is dependent upon customer board and chassis design.

Immunity

Equipment utilizing these transceivers will be subject to radio frequency electromagnetic fields in some environments. These transceivers have been characterized without the benefit of the normal equipment chassis enclosure and results are reported below. Performance of a system containing these transceivers within a well-designed chassis enclosure is expected to be better than the results of these tests without a chassis enclosure.

Glossary

PHY = Module = Used interchangeably with HFCT-701XB in this document.

Network = Used to indicate elements that are on the optical side of the module.

Network loopback = A signal path within the module from the optical input of the module to the optical output of the module.

System = Used to indicate elements that are on the electrical side of the module.

System loopback = A signal path within the module from the electrical input of the module to the electrical output of the module.

Table 19. Regulatory Compliance - Typical Performance

Feature	Test Method	Performance
General	Telcordia GR-468-CORE	Qualified in accordance with Remote terminal requirements
Electrostatic Discharge - Human Body Model	MIL STD 883 Method 3015	500 V
Electrostatic Discharge - Charged Device Model	JEDEC JES D22-C101	500 V
Electrostatic Discharge - Contact Discharge	IEC 61000-4-2	8000 V
Electromagnetic Interference	FCC Class BCENELEC EN55022 Class B (CISPR 22B) VCCI Class 2	Margins are dependant on customer board and chassis design
Immunity	Variation of IEC 61000-4-3	A BER of better than 1E-12 was observed from a 10 V/m field swept from 27 MHz to 1 GHz.
Eye Safety	IEC 60825/CDRH Class 1	CDRH: 9521220-51 TUV: 933/510230/01

**[www.agilent.com/
semiconductors](http://www.agilent.com/semiconductors)**

For product information and a complete list of distributors, please go to our web site.

For technical assistance call:

Americas/Canada: +1 (800) 235-0312
or (916) 788-6763

Europe: +49 (0) 6441 92460

China: 10800 650 0017

Hong Kong: (+65) 6271 2451

India, Australia, New Zealand: (+65) 6271 2394

Japan: (+81 3) 3335-8152(Domestic/International), or 0120-61-1280(Domestic Only)

Korea: (+65) 6271 2194

Malaysia, Singapore: (+65) 6271 2054

Taiwan: (+65) 6271 2654

Data subject to change.

Copyright © 2004 Agilent Technologies, Inc.
March 11, 2004

5989-0765EN



Agilent Technologies