

54LS00/DM54LS00/DM74LS00 Quad 2-Input NAND Gates

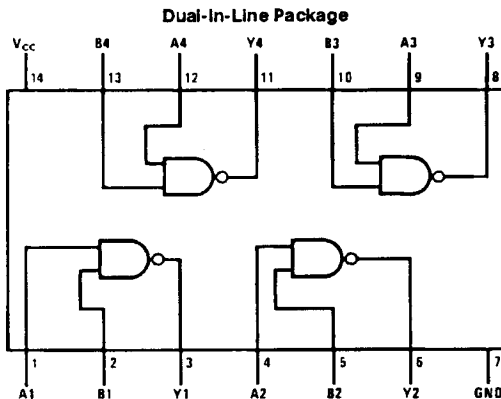
General Description

This device contains four independent gates each of which performs the logic NAND function.

Features

- Alternate Military/Aerospace device (54LS00) is available. Contact a National Semiconductor Sales Office/Distributor for specifications.

Connection Diagram



TL/F/6439-1

Order Number 54LS00DMQB, 54LS00FMB, 54LS00LMB, DM54LS00J, DM54LS00W, DM74LS00M or DM74LS00N
See NS Package Number E20A, J14A, M14A, N14A or W14B

Function Table

$$Y = \overline{AB}$$

| Inputs | | Output |
|--------|---|--------|
| A | B | Y |
| L | L | H |
| L | H | H |
| H | L | H |
| H | H | L |

H = High Logic Level

L = Low Logic Level

Absolute Maximum Ratings (Note)

If Military/Aerospace specified devices are required, please contact the National Semiconductor Sales Office/Distributors for availability and specifications.

Supply Voltage 7V

Input Voltage 7V

Operating Free Air Temperature Range

DM54LS and 54LS -55°C to +125°C

DM74LS 0°C to +70°C

Storage Temperature Range -65°C to +150°C

Note: The "Absolute Maximum Ratings" are those values beyond which the safety of the device cannot be guaranteed. The device should not be operated at these limits. The parametric values defined in the "Electrical Characteristics" table are not guaranteed at the absolute maximum ratings. The "Recommended Operating Conditions" table will define the conditions for actual device operation.

Recommended Operating Conditions

| Symbol | Parameter | DM54LS00 | | | DM74LS00 | | | Units |
|-----------------|--------------------------------|----------|-----|------|----------|-----|------|-------|
| | | Min | Nom | Max | Min | Nom | Max | |
| V _{CC} | Supply Voltage | 4.5 | 5 | 5.5 | 4.75 | 5 | 5.25 | V |
| V _{IH} | High Level Input Voltage | 2 | | | 2 | | | V |
| V _{IL} | Low Level Input Voltage | | | 0.7 | | | 0.8 | V |
| I _{OH} | High Level Output Current | | | -0.4 | | | -0.4 | mA |
| I _{OL} | Low Level Output Current | | | 4 | | | 8 | mA |
| T _A | Free Air Operating Temperature | -55 | | 125 | 0 | | 70 | °C |

Electrical Characteristics over recommended operating free air temperature range (unless otherwise noted)

| Symbol | Parameter | Conditions | Min | Typ (Note 1) | Max | Units |
|------------------|-----------------------------------|---|------|--------------|-------|-------|
| V _I | Input Clamp Voltage | V _{CC} = Min, I _I = -18 mA | | | -1.5 | V |
| V _{OH} | High Level Output Voltage | V _{CC} = Min, I _{OH} = Max, V _{IL} = Max | DM54 | 2.5 | 3.4 | V |
| | | | DM74 | 2.7 | 3.4 | |
| V _{OL} | Low Level Output Voltage | V _{CC} = Min, I _{OL} = Max, V _{IH} = Min | DM54 | | 0.25 | V |
| | | | DM74 | | 0.35 | |
| | | I _{OL} = 4 mA, V _{CC} = Min | DM74 | | 0.25 | 0.4 |
| I _I | Input Current @ Max Input Voltage | V _{CC} = Max, V _I = 7V | | | 0.1 | mA |
| I _{IH} | High Level Input Current | V _{CC} = Max, V _I = 2.7V | | | 20 | μA |
| I _{IL} | Low Level Input Current | V _{CC} = Max, V _I = 0.4V | | | -0.36 | mA |
| I _{OS} | Short Circuit Output Current | V _{CC} = Max (Note 2) | DM54 | -20 | -100 | mA |
| | | | DM74 | -20 | -100 | |
| I _{CCH} | Supply Current with Outputs High | V _{CC} = Max | | 0.8 | 1.6 | mA |
| I _{CCL} | Supply Current with Outputs Low | V _{CC} = Max | | 2.4 | 4.4 | mA |

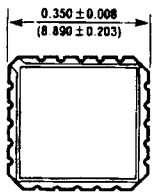
Switching Characteristics at V_{CC} = 5V and T_A = 25°C (See Section 1 for Test Waveforms and Output Load)

| Symbol | Parameter | R _L = 2 kΩ | | | | Units |
|------------------|---|------------------------|-----|------------------------|-----|-------|
| | | C _L = 15 pF | | C _L = 50 pF | | |
| | | Min | Max | Min | Max | |
| t _{PLH} | Propagation Delay Time Low to High Level Output | 3 | 10 | 4 | 15 | ns |
| t _{PHL} | Propagation Delay Time High to Low Level Output | 3 | 10 | 4 | 15 | ns |

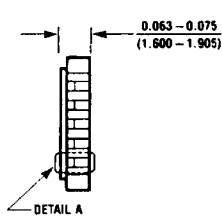
Note 1: All typicals are at V_{CC} = 5V, T_A = 25°C.

Note 2: Not more than one output should be shorted at a time, and the duration should not exceed one second.

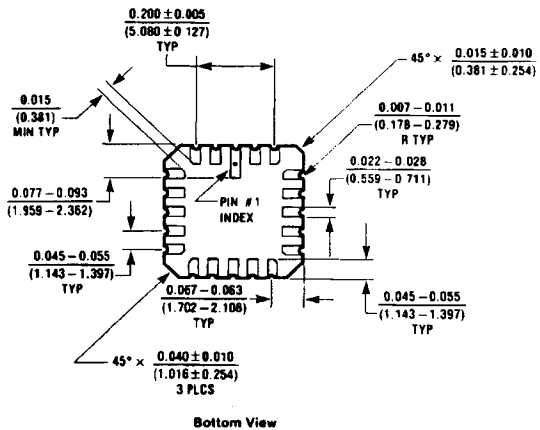
Physical Dimensions inches (millimeters)



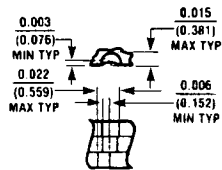
Top View



Side View



Bottom View

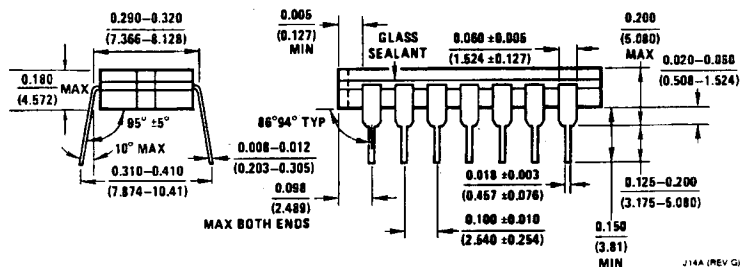
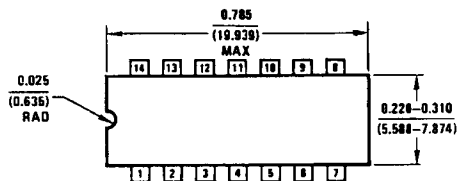


Detail A

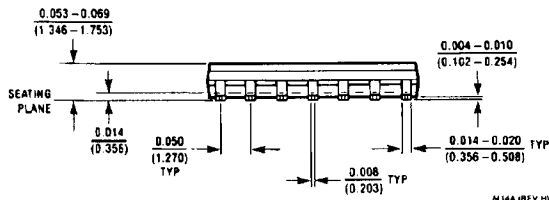
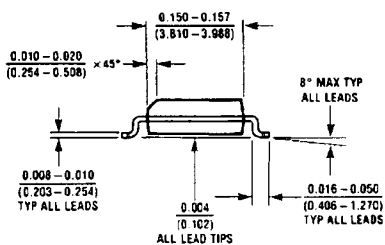
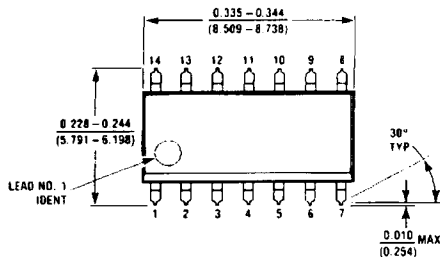
Ceramic Leadless Chip Carrier Package (E)
Order Number 54LS00LMOB
NS Package Number E20A

E20A (REV D)

Physical Dimensions inches (millimeters)

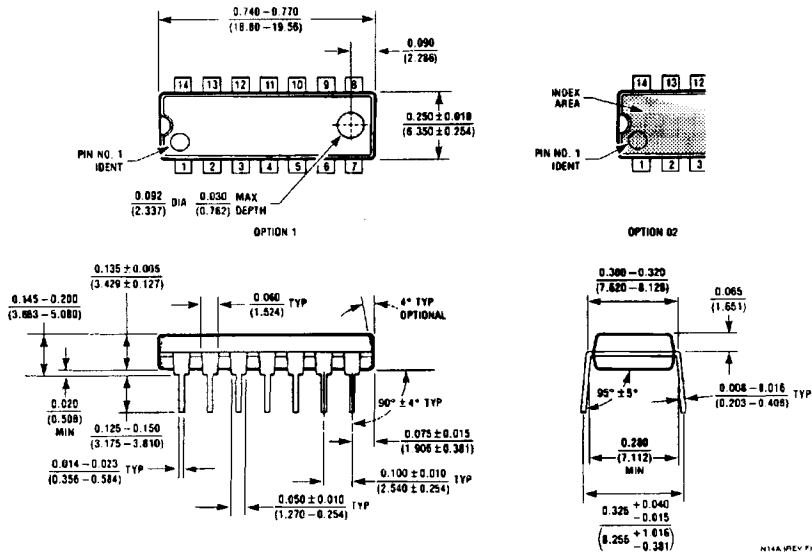


14-Lead Ceramic Dual-In-Line Package (J)
Order Number 54LS00DMQB or DM54LS00J
NS Package Number J14A



14-Lead Small Outline Molded Package (M)
Order Number DM74LS00M
NS Package Number M14A

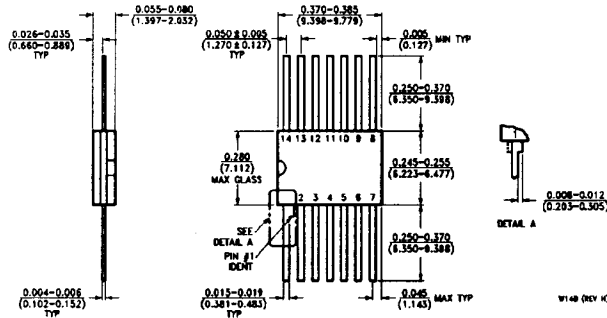
Physical Dimensions inches (millimeters) (Continued)



14-Lead Molded Dual-In-Line Package (N)
Order Number DM74LS00N
NS Package Number N14A

NS14A (REV. F)

Physical Dimensions inches (millimeters) (Continued)



14-Lead Ceramic Flat Package (W)
 Order Number 54LS00FMQB or DM54LS00W
 NS Package Number W14B

LIFE SUPPORT POLICY

NATIONAL'S PRODUCTS ARE NOT AUTHORIZED FOR USE AS CRITICAL COMPONENTS IN LIFE SUPPORT DEVICES OR SYSTEMS WITHOUT THE EXPRESS WRITTEN APPROVAL OF THE PRESIDENT OF NATIONAL SEMICONDUCTOR CORPORATION. As used herein:

1. Life support devices or systems are devices or systems which, (a) are intended for surgical implant into the body, or (b) support or sustain life, and whose failure to perform, when properly used in accordance with instructions for use provided in the labeling, can be reasonably expected to result in a significant injury to the user.
2. A critical component is any component of a life support device or system whose failure to perform can be reasonably expected to cause the failure of the life support device or system, or to affect its safety or effectiveness.



National Semiconductor Corporation
 2900 Semiconductor Drive
 P.O. Box 58080
 Santa Clara, CA 95052-8080
 Tel: (408) 721-5000
 TWX: (910) 538-9240

National Semiconductor GmbH
 Westendstrasse 193-195
 D-8000 Munchen 21
 West Germany
 Tel: (089) 5 70 95 01
 Telex: 522772

NS Japan Ltd.
 Saisedo Bldg. 5F
 4-15 Nishi Shinjuku
 Shinjuku-Ku,
 Tokyo 160, Japan
 Tel: 3-299-7001
 FAX: 3-299-7000

National Semiconductor Hong Kong Ltd.
 Southeast Asia Marketing
 Austin Tower, 4th Floor
 22-26A Austin Avenue
 Tsimshatsui, Kowloon, H.K.
 Tel: 3-7231290, 3-7243645
 Cable: NSSEAMKTG
 Telex: 52906 NSSEA HX

National Semicondutores De Brasil Ltda.
 Av. Brig. Faria Lima, 830
 8 Andar
 01452 Sao Paulo, SP, Brasil
 Tel: (65/11) 212-5066
 Telex: 381-1131931 NSBR BR

National Semiconductor (Australia) Pty, Ltd.
 21/3 High Street
 Bayswater, Victoria 3153
 Australia
 Tel: (03) 729-6333
 Telex: AA32096

National does not assume any responsibility for use of any circuitry described, no circuit patent licenses are implied and National reserves the right at any time without notice to change said circuitry and specifications.
 © 1989 National Semiconductor Corporation