



# SPI/I<sup>2</sup>C<sup>®</sup> Compatible, 10-Bit Digital Temperature Sensor and Quad Voltage Output 12/10/8-Bit DAC

## Preliminary Technical Data

## ADT7316/7317/7318

### FEATURES

- ADT7316 - Four 12-Bit DACs
- ADT7317 - Four 10-Bit DACs
- ADT7318 - Four 8-Bit DACs
- Buffered Voltage Output
- Guaranteed Monotonic By Design Over All Codes
- 10-Bit Temperature to Digital Converter
- Temperature range: -40°C to +125°C
- Temperature Sensor Accuracy of ±0.5°C
- Supply Range : + 2.7 V to + 5.5 V

- DAC Output Range: 0 - 2V<sub>REF</sub>
- Power-Down Current 1µA
- Internal 2.25 V<sub>REF</sub> Option
- Double-Buffered Input Logic
- Buffered / Unbuffered Reference Input Option
- Power-on Reset to Zero Volts
- Simultaneous Update of Outputs (LDAC Function)
- On-Chip Rail-to-Rail Output Buffer Amplifier

- I<sup>2</sup>C<sup>®</sup>, SPI<sup>™</sup>, QSPI<sup>™</sup>, MICROWIRE<sup>™</sup> and DSP-Compatible 4-wire Serial Interface
- 16-Lead QSOP Package

### APPLICATIONS

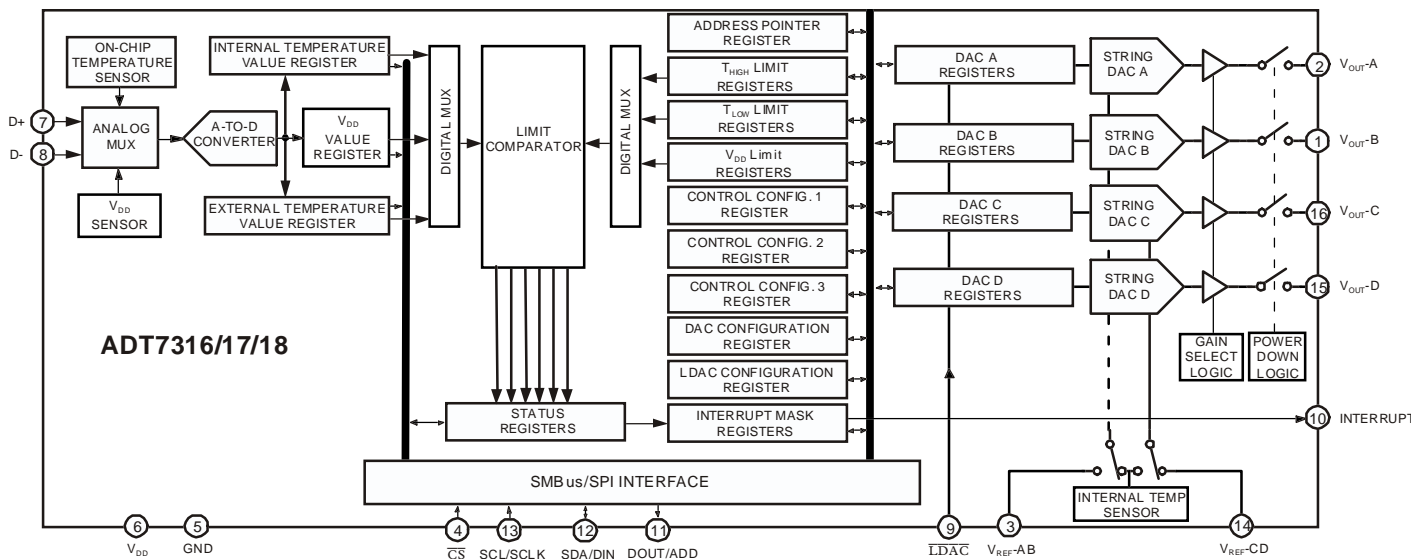
- Portable Battery Powered Instruments
- Personal Computers
- Telecommunications Systems
- Electronic Test Equipment
- Domestic Appliances
- Process Control

### GENERAL DESCRIPTION

The ADT7316/7317/7318 combines a 10-Bit Temperature-to-Digital Converter and a quad 12/10/8-Bit DAC respectively, in a 16-Lead QSOP package. This includes a bandgap temperature sensor and a 10-bit ADC to monitor and digitize the temperature reading to a resolution of 0.25°C. The ADT7316/17/18 operates from a single +2.7V to +5.5V supply. The output voltage of the DAC ranges from 0 V to 2V<sub>REF</sub>, with an output voltage settling time of typ 7 msec. The ADT7316/17/18 provides two serial interface options, a four-wire serial interface which is compatible with SPI<sup>™</sup>, QSPI<sup>™</sup>, MICROWIRE<sup>™</sup> and DSP interface standards; and a two-wire I<sup>2</sup>C interface. It features a standby mode that is controlled via the serial interface.

The reference for the four DACs is derived either internally or from two reference pins (one per DAC pair). The outputs of all DACs may be updated simultaneously using the software LDAC function or external LDAC pin. The ADT7316/7317/7318 incorporates a power-on-reset circuit, which ensures that the DAC output powers-up to zero volts and it remains there until a valid write takes place.

The ADT7316/7317/7318's wide supply voltage range, low supply current and SPI/I<sup>2</sup>C-compatible interface, make it ideal for a variety of applications, including personal computers, office equipment and domestic appliances.



**FUNCTIONAL BLOCK DIAGRAM**

REV. PrN 02/02

Information furnished by Analog Devices is believed to be accurate and reliable. However, no responsibility is assumed by Analog Devices for its use, nor for any infringements of patents or other rights of third parties which may result from its use. No license is granted by implication or otherwise under any patent or patent rights of Analog Devices.

I<sup>2</sup>C is a registered trademark of Philips Corporation

\* Protected by U.S. Patent No. 5,969,657; other patents pending.

SPI and QSPI are trademarks of Motorola, INC.

MICROWIRE is a trademark of National Semiconductor Corporation.

One Technology Way, P.O. Box 9106, Norwood, MA 02062-9106, U.S.A.

Tel: 781/329-4700

Fax: 781/326-8703

www.analog.com

Analog Devices, Inc., 2002

ADT7316/ADT7317/ADT7318-SPECIFICATIONS<sup>1</sup>(V<sub>DD</sub>=2.7 V to 5.5 V, GND=0 V, REF<sub>IN</sub>=2.25 V, unless otherwise noted)

Parameter <sup>2</sup>	Min	Typ	Max	Units	Conditions/Comments
<b>DACDCPERFORMANCE<sup>3,4</sup></b>					
<b>ADT7318</b>					
Resolution		8		Bits	
Relative Accuracy		±0.15	±1	LSB	
Relative Accuracy		tbd	tbd	LSB	Excluding Offset and Gain errors
Differential Nonlinearity		±0.02	±0.25	LSB	Guaranteed Monotonic by design over all codes
<b>ADT7317</b>					
Resolution		10		Bits	
Relative Accuracy		±0.5	±4	LSB	
Relative Accuracy		tbd	tbd	LSB	Excluding Offset and Gain errors
Differential Nonlinearity		±0.05	±0.5	LSB	Guaranteed Monotonic by design over all codes
<b>ADT7316</b>					
Resolution		12		Bits	
Relative Accuracy		±2	±16	LSB	
Relative Accuracy		tbd	tbd	LSB	Excluding Offset and Gain errors
Differential Nonlinearity		±0.02	±0.9	LSB	Guaranteed Monotonic by design over all codes
Offset Error		±0.4	±3	% of FSR	
Offset Error Match			±0.5	LSB	
Gain Error		±0.3	±1.25	% of FSR	
Gain Error Match			±0.5	LSB	
Lower Deadband		20	60	mV	Lower Deadband exists only if Offset Error is Negative. See Figure 5.
Upper Deadband		tbd	tbd	mV	Upper Deadband exists if V <sub>REF</sub> = V <sub>DD</sub> and Offset plus Gain Error is positive. See Figure 6.
Offset Error Drift <sup>6</sup>		-12		ppm of FSR/°C	
Gain Error Drift <sup>6</sup>		-5		ppm of FSR/°C	
DC Power Supply Rejection Ratio <sup>6</sup>		-60		dB	ΔV <sub>DD</sub> = ±10%
DC Crosstalk <sup>6</sup>		200		μV	R <sub>L</sub> = 2 KΩ to GND or V <sub>DD</sub>
<b>THERMAL CHARACTERISTICS</b>					
<b>INTERNAL TEMPERATURE SENSOR</b>					
Accuracy @ V <sub>DD</sub> =3.3V			±2	°C	T <sub>A</sub> = 0°C to +85°C
			±3	°C	T <sub>A</sub> = -40°C to +125°C
Accuracy @ V <sub>DD</sub> =5V		±2		°C	T <sub>A</sub> = 0°C to +85°C
		±3		°C	T <sub>A</sub> = -40°C to +125°C
Resolution			10	Bits	
Long Term Drift		0.5		°C/1000hrs	
<b>EXTERNAL TEMPERATURE SENSOR</b>					
Accuracy @ V <sub>DD</sub> =3.3V			±2	°C	External Transistor = 2N3906. T <sub>A</sub> = 0°C to +85°C.
			±3	°C	T <sub>A</sub> = -40°C to +125°C
Accuracy @ V <sub>DD</sub> =5V		±2		°C	T <sub>A</sub> = 0°C to +85°C
		±3		°C	T <sub>A</sub> = -40°C to +125°C
Resolution			10	Bits	
Update Rate, t <sub>r</sub>		TBD		μs	Round Robin <sup>5</sup> enabled
		TBD		μs	Round Robin disabled
Temperature Conversion Time		TBD		μs	
Output Source Current		180		μA	High Level
		11		μA	Low Level
<b>VOLTAGE OUTPUT</b>					
<b>8-Bit DAC Output</b>					
Resolution	1			°C	
Scale Factor		8.79		mV/°C	0-V <sub>REF</sub> Output. T <sub>A</sub> = -40°C to +125°C
		17.58		mV/°C	0-2V <sub>REF</sub> Output. T <sub>A</sub> = -40°C to +125°C
<b>10-Bit DAC Output</b>					
Resolution	0.25			°C	

# PRELIMINARY TECHNICAL DATA

## ADT7316/7317/7318

Parameter <sup>2</sup>	Min	Typ	Max	Units	Conditions/Comments
Scale Factor		2.2 4.39		mV/°C mV/°C	0-V <sub>REF</sub> Output. T <sub>A</sub> = -40°C to +125°C 0-2V <sub>REF</sub> Output. T <sub>A</sub> = -40°C to +125°C
DAC EXTERNAL REFERENCE INPUT <sup>6</sup>					
V <sub>REF</sub> Input Range	1		V <sub>DD</sub>	V	Buffered Reference Mode
V <sub>REF</sub> Input Range	0.25		V <sub>DD</sub>	V	Unbuffered Reference Mode
V <sub>REF</sub> Input Impedance	37 74	45 90		kΩ kΩ	Unbuffered Reference Mode. 0-2 V <sub>REF</sub> Output Range. Unbuffered Reference Mode. 0- V <sub>REF</sub> Output Range.
Reference Feedthrough		>10		MΩ	Buffered reference mode and Power-Down Mode
Channel-toChannel Isolation		-90 -75		dB dB	Frequency=10KHz Frequency=10KHz
ON-CHIP REFERENCE					
Reference Voltage <sup>6</sup>		2.25		V	
Temperature Coefficient <sup>6</sup>		80		ppm/°C	
OUTPUT CHARACTERISTICS <sup>6</sup>					
Output Voltage <sup>7</sup>	0.001		V <sub>DD</sub> -0.001	V	This is a measure of the minimum and maximum drive capability of the output amplifier
DC Output Impedance		0.5		Ω	
Short Circuit Current		25		mA	V <sub>DD</sub> = +5V
		16		mA	V <sub>DD</sub> = +3V
Power Up Time		2.5 5		μs μs	Coming out of Power Down Mode. V <sub>DD</sub> = +5 V Coming out of Power Down Mode. V <sub>DD</sub> = +3 V
DIGITAL INPUTS <sup>6</sup>					
Input Current			±1	μA	V <sub>IN</sub> = 0V to V <sub>DD</sub>
V <sub>IL</sub> Input Low Voltage			0.8	V	V <sub>DD</sub> = +5V±10%
			0.6	V	V <sub>DD</sub> = +3V±10%
V <sub>IH</sub> Input High Voltage	1.89			V	
Pin Capacitance		3	10	pF	All Digital Inputs
SCL, SDA Glitch Rejection			50	ns	Input Filtering Suppresses Noise Spikes of Less than 50 ns
DIGITAL OUTPUT					
Output High Voltage, V <sub>OH</sub>	2.4			V	I <sub>SOURCE</sub> = I <sub>SINK</sub> = 200 μA
Output Low Voltage, V <sub>OL</sub>			0.4	V	I <sub>OL</sub> = 3 mA
Output High Current, I <sub>OH</sub>			1	mA	V <sub>OH</sub> = 5 V
Output Capacitance, C <sub>OUT</sub>			50	pF	
ALERT Output Saturation Voltage			0.8	V	I <sub>OUT</sub> = 4 mA
I <sup>2</sup> C TIMING CHARACTERISTICS <sup>8,9</sup>					
Serial Clock Period, t <sub>1</sub>	2.5			μs	Fast-Mode I <sup>2</sup> C. See Figure 1
Data In Setup Time to SCL High, t <sub>2</sub>				ns	See Figure 1
Data Out Stable after SCL Low, t <sub>3</sub>	0			ns	See Figure 1
SDA Low Setup Time to SCL Low (Start Condition), t <sub>4</sub>	50			ns	See Figure 1
SDA High Hold Time after SCL High (Stop Condition), t <sub>5</sub>	50			ns	See Figure 1
SDA and SCL Fall Time, t <sub>6</sub>			90	ns	See Figure 1
SPITIMING CHARACTERISTICS <sup>10,11</sup>					
$\overline{CS}$ to SCLK Setup Time, t <sub>1</sub>	0			ns	See Figure 2
SCLK High Pulsewidth, t <sub>2</sub>	50			ns	See Figure 2
SCLK Low Pulse, t <sub>3</sub>	50			ns	See Figure 2
Data Access Time after SCLK Falling edge, t <sub>4</sub> <sup>12</sup>			35	ns	See Figure 2
Data Setup Time Prior to SCLK Rising Edge, t <sub>5</sub>	20			ns	See Figure 2
Data Hold Time after SCLK Rising Edge, t <sub>6</sub>	0			ns	See Figure 2
$\overline{CS}$ to SCLK Hold Time, t <sub>7</sub>	0			ns	See Figure 2
$\overline{CS}$ to DOUT High Impedance, t <sub>8</sub>			40	ns	See Figure 2
POWER REQUIREMENTS					
V <sub>DD</sub>	2.7		5.5	V	
V <sub>DD</sub> Settling Time			50	ms	V <sub>DD</sub> settles to within 10% of it's final voltage level.

# PRELIMINARY TECHNICAL DATA

## ADT7316/7317/7318

$I_{DD}$ (Normal Mode) <sup>13</sup>	0.85	1.3	mA	$V_{IH} = V_{DD}$ and $V_{IL} = GND$
$I_{DD}$ (Power Down Mode)	1	3	$\mu A$	$V_{DD} = +4.5V$ to $+5.5V$ , $V_{IH}=V_{DD}$ and $V_{IL}=GND$
	0.5	1	$\mu A$	$V_{DD} = +2.7V$ to $+3.6V$ , $V_{IH}=V_{DD}$ and $V_{IL}=GND$
Power Dissipation	tbd	tbd	$\mu W$	$V_{DD} = +2.7 V$ . Using Normal Mode
	tbd	tbd	$\mu W$	$V_{DD} = +2.7 V$ . Using Shutdown Mode

- Notes:
- <sup>1</sup> Temperature ranges are as follows: A Version:  $-40^{\circ}C$  to  $+125^{\circ}C$ .
  - <sup>2</sup> See Terminology.
  - <sup>3</sup> DC specifications tested with the outputs unloaded.
  - <sup>4</sup> Linearity is tested using a reduced code range;; ADT7316 (code 115 to 4095); ADT7317 (code 28 to 1023); ADT7318 (code 8 to 255)
  - <sup>5</sup> See Terminology.
  - <sup>6</sup> Guaranteed by Design and Characterization, not production tested
  - <sup>7</sup> In order for the amplifier output to reach its minimum voltage, Offset Error must be negative. In order for the amplifier output to reach its maximum voltage,  $V_{REF}=V_{DD}$ , "Offset plus Gain" Error must be positive.
  - <sup>8</sup> The SDA & SCL timing is measured with the input filters turned on so as to meet the Fast-Mode I<sup>2</sup>C specification. Switching off the input filters improves the transfer rate but has a negative affect on the EMC behaviour of the part.
  - <sup>9</sup> Guaranteed by design. Not tested in production.
  - <sup>10</sup> Guaranteed by design and characterization, not production tested.
  - <sup>11</sup> All input signals are specified with  $t_r = t_f = 5$  ns (10% to 90% of  $V_{DD}$ ) and timed from a voltage level of 1.6 V.
  - <sup>12</sup> Measured with the load circuit of Figure 3.
  - <sup>13</sup>  $I_{DD}$  spec. is valid for all DAC codes. Interface inactive. All DACs active. Load currents excluded.
- Specifications subject to change without notice.

## DAC AC CHARACTERISTICS<sup>1</sup>

( $V_{DD} = +2.7V$  to  $+5.5 V$ ;  $R_L=4k7\Omega$  to GND;  $C_L=200pF$  to GND;  
 $4K7\Omega$  to  $V_{DD}$ ; All specifications  $T_{MIN}$  to  $T_{MAX}$  unless otherwise noted.)

Parameter <sup>2</sup>	Min	Typ @ 25°C	Max	Units	Conditions/Comments
Output Voltage Settling Time					$V_{REF}=V_{DD}=+5V$
ADT7318		6	8	$\mu s$	1/4 Scale to 3/4 Scale change (40 Hex to C0 Hex)
ADT7317		7	9	$\mu s$	1/4 Scale to 3/4 Scale change (100 Hex to 300 Hex)
ADT7316		8	10	$\mu s$	1/4 Scale to 3/4 Scale change (400 Hex to C00 Hex)
Slew Rate		0.7		V/ $\mu s$	
Major-Code Change Glitch Energy		12		nV-s	1 LSB change around major carry.
Digital Feedthrough		0.5		nV-s	
Digital Crosstalk		1		nV-s	
Analog Crosstalk		0.5		nV-s	
DAC-to-DAC Crosstalk		3		nV-s	
Multiplying Bandwidth		200		kHz	$V_{REF}=2V\pm 0.1V_{pp}$
Total Harmonic Distortion		-70		dB	$V_{REF}=2.5V\pm 0.1V_{pp}$ . Frequency=10kHz.

- NOTES
- <sup>1</sup> Guaranteed by Design and Characterization, not production tested
  - <sup>2</sup> See Terminology
- Specifications subject to change without notice.

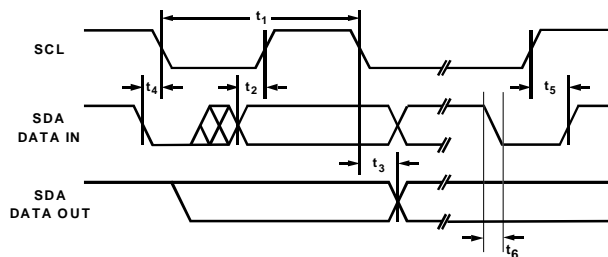


Figure 1. Diagram for I<sup>2</sup>C Bus Timing

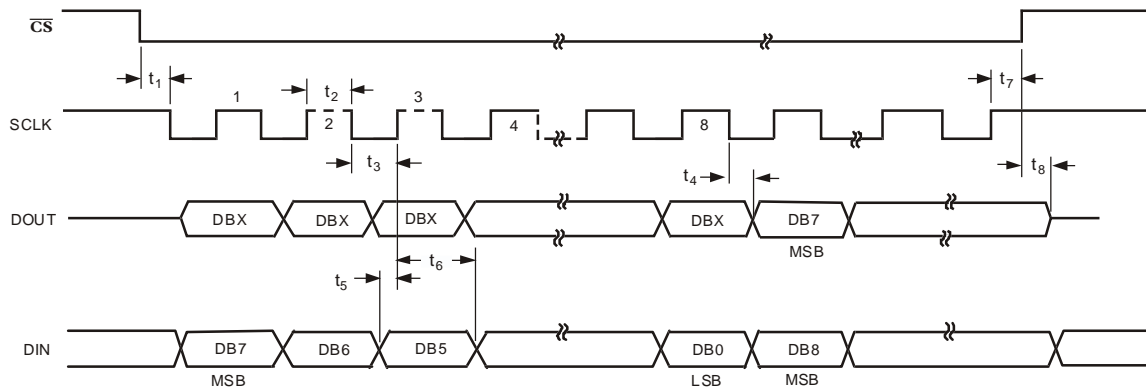


Figure 2. Diagram for SPI Bus Timing

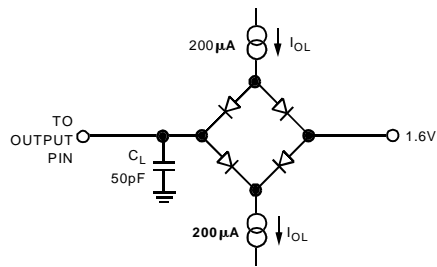


Figure 3. Load Circuit for Access Time and Bus Relinquish Time

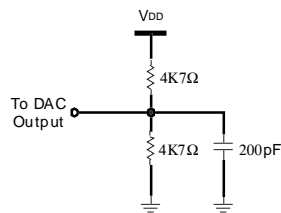


Figure 4. Load Circuit for DAC Outputs

# PRELIMINARY TECHNICAL DATA

## ADT7316/7317/7318

### ABSOLUTE MAXIMUM RATINGS\*

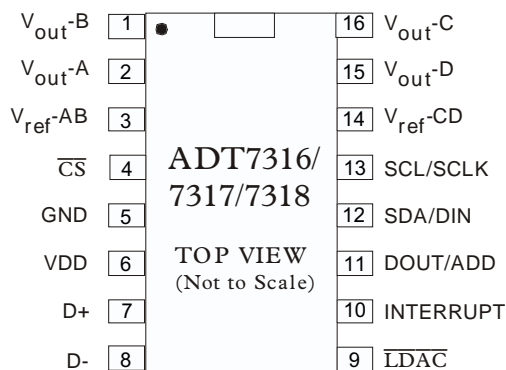
$V_{DD}$ to GND	-0.3 V to +7 V
Digital Input Voltage to GND	-0.3 V to $V_{DD} + 0.3$ V
Digital Output Voltage to GND	-0.3 V to $V_{DD} + 0.3$ V
Reference Input voltage to GND	-0.3 V to $V_{DD} + 0.3$ V
Operating Temperature Range	-40°C to +125°C
Storage Temperature Range	-65°C to +150°C
Junction Temperature	+150°C
16-Lead QSOP Package	
Power Dissipation	$(T_j \text{ max} - T_A) / \theta_{JA}$
$\theta_{JA}$ Thermal Impedance	150 °C/W (QSOP)
Reflow Soldering	
Peak Temperature	+220 +/- 0°C
Time of Peak Temperature	10 sec to 40 sec

Table 1. I<sup>2</sup>C Address Selection

ADD Pin	I <sup>2</sup> C Address
Low	1001 000
Float	1001 010
High	1001 011

\*Stresses above those listed under Absolute Maximum Ratings may cause permanent damage to the device. This is a stress rating only; functional operation of the device at these or any other conditions above those indicated in the operational section of this specification is not implied. Exposure to absolute maximum rating conditions for extended periods may affect device reliability.

### PIN CONFIGURATION QSOP



### ORDERING GUIDE

Model	Temperature Range	DAC Resolution	Package Description	Package Options
ADT7318ARQ	-40°C to +125°C	8-Bits	16-Lead QSOP	RQ-16
ADT7317ARQ	-40°C to +125°C	10-Bits	16-Lead QSOP	RQ-16
ADT7316ARQ	-40°C to +125°C	12-Bits	16-Lead QSOP	RQ-16

### CAUTION

ESD (electrostatic discharge) sensitive device. Electrostatic charges as high as 4000 V readily accumulate on the human body and test equipment and can discharge without detection. Although the ADT7316/7317/7318 feature proprietary ESD protection circuitry, permanent damage may occur on devices subjected to high energy electrostatic discharges. Therefore, proper ESD precautions are recommended to avoid performance degradation or loss of functionality.



## PRELIMINARY TECHNICAL DATA

## ADT7316/7317/7318

## ADT7316/7317/7318 PIN FUNCTION DESCRIPTION

Pin	Mnemonic	Description
1	V <sub>OUTB</sub>	Buffered Analog Output Voltage from DAC B. The output amplifier has rail-to-rail operation.
2	V <sub>OUTA</sub>	Buffered Analog Output Voltage from DAC A. The output amplifier has rail-to-rail operation.
3	V <sub>REFAB</sub>	Reference Input Pin for DACs A and B. It may be configured as a buffered or unbuffered input to each or both of the DACs A and B. It has an input range from 0.25 V to V <sub>DD</sub> in unbuffered mode and from 1 V to V <sub>DD</sub> in buffered mode.
4	$\overline{CS}$	SPI Active low control Input. This is the frame synchronization signal for the input data. When $\overline{CS}$ goes low, it enables the input register and data is transferred in and out on the rising edges of the following serial clocks. This pin must be kept high for I <sup>2</sup> C mode of operation. $\overline{CS}$ is also used as a control pin when selecting the serial interface type after power-up.
5	GND	Ground Reference Point for All Circuitry on the part. Analog and Digital Ground.
6	V <sub>DD</sub>	Positive Supply Voltage, +2.7 V to +5.5 V. The supply should be decoupled to ground.
7	D+	Positive connection to external temperature sensor
8	D-	Negative connection to external temperature sensor
9	$\overline{LDAC}$	Active low control input that transfers the contents of the input registers to their respective DAC registers. Pulsing this pin low allows any or all DAC registers to be updated if the input registers have new data. This allows simultaneous update of all DAC outputs. Bit C3 of Control Configuration 3 register enables $\overline{LDAC}$ pin. Default is with $\overline{LDAC}$ pin controlling the loading of DAC registers.
10	INTERRUPT	Over Limit Interrupt. The output polarity of this pin can be set to give an active low or active high interrupt when temperature, V <sub>DD</sub> and AIN limits are exceeded. Default is active low.
11	DOUT/ADD	SPI Serial Data Output. Logic Output. Data is clocked out of any register at this pin. Data is clocked out at the falling edge of SCLK. ADD, I <sup>2</sup> C serial bus address selection pin. Logic input. During the first valid I <sup>2</sup> C bus communication this pin is checked to determine the serial bus address assigned to the ADT7316/17/18. Any subsequent changes on this pin will have no effect on the I <sup>2</sup> C serial bus address. A low on this pin gives the address 1001 000, leaving it floating gives the address 1001 010 and setting it high gives the address 1001 011.
12	SDA/DIN	SDA - I <sup>2</sup> C Serial Data Input. I <sup>2</sup> C serial data to be loaded into the parts registers is provided on this input. DIN - SPI Serial Data Input. Serial data to be loaded into the parts registers is provided on this input. Data is clocked into a register on the rising edge of SCLK.
13	SCL/SCLK	Serial Clock Input. This is the clock input for the serial port. The serial clock is used to clock data out of any register of the ADT7316/7317/7318 and also to clock data into any register that can be written to.
14	V <sub>REFCD</sub>	Reference Input Pin for DACs C and D. It may be configured as a buffered or unbuffered input to each or both of the DACs C and D. It has an input range from 0.25 V to V <sub>DD</sub> in unbuffered mode and from 1 V to V <sub>DD</sub> in buffered mode.
15	V <sub>OUTD</sub>	Buffered Analog Output Voltage from DAC D. The output amplifier has rail-to-rail operation.
16	V <sub>OUTC</sub>	Buffered Analog Output Voltage from DAC C. The output amplifier has rail-to-rail operation.

## ADT7316/7317/7318

**TERMINOLOGY****RELATIVE ACCURACY**

Relative accuracy or integral nonlinearity (INL) is a measure of the maximum deviation, in LSBs, from a straight line passing through the endpoints of the DAC transfer function. Typical INL versus Code plots can be seen in TPCs 1, 2, and 3.

**DIFFERENTIAL NONLINEARITY**

Differential Nonlinearity (DNL) is the difference between the measured change and the ideal 1 LSB change between any two adjacent codes. A specified differential nonlinearity of  $\pm 1$  LSB maximum ensures monotonicity. This DAC and Temperature Sensor ADC is guaranteed monotonic by design. Typical DAC DNL versus Code plots can be seen in TPCs 4, 5, and 6.

**OFFSET ERROR**

This is a measure of the offset error of the DAC and the output amplifier. (See Figures 5 and 6.) It can be negative or positive. It is expressed in mV.

**OFFSET ERROR MATCH**

This is the difference in Offset Error between any two channels.

**GAIN ERROR**

This is a measure of the span error of the DAC. It is the deviation in slope of the actual DAC transfer characteristic from the ideal expressed as a percentage of the full-scale range.

**GAIN ERROR MATCH**

This is the difference in Gain Error between any two channels.

**OFFSET ERROR DRIFT**

This is a measure of the change in offset error with changes in temperature. It is expressed in (ppm of full-scale range)/ $^{\circ}$ C.

**GAIN ERROR DRIFT**

This is a measure of the change in gain error with changes in temperature. It is expressed in (ppm of full-scale range)/ $^{\circ}$ C.

**DC POWER-SUPPLY REJECTION RATIO (PSRR)**

This indicates how the output of the DAC is affected by changes in the supply voltage. PSRR is the ratio of the change in  $V_{OUT}$  to a change in  $V_{DD}$  for full-scale output of the DAC. It is measured in dBs.  $V_{REF}$  is held at 2 V and  $V_{DD}$  is varied  $\pm 10\%$ .

**DC CROSSTALK**

This is the dc change in the output level of one DAC in response to a change in the output of another DAC. It is measured with a full-scale output change on one DAC while monitoring another DAC. It is expressed in  $\mu$ V.

**REFERENCE FEEDTHROUGH**

This is the ratio of the amplitude of the signal at the DAC output to the reference input when the DAC output is not being updated (i.e.,  $\overline{LDAC}$  is high). It is expressed in dBs.

**CHANNEL-TO-CHANNEL ISOLATION**

This is the ratio of the amplitude of the signal at the output of one DAC to a sine wave on the reference input of another DAC. It is measured in dBs.

**MAJOR-CODE TRANSITION GLITCH ENERGY**

Major-code transition glitch energy is the energy of the impulse injected into the analog output when the code in the DAC register changes state. It is normally specified as the area of the glitch in nV secs and is measured when the digital code is changed by 1 LSB at the major carry transition (011...11 to 100...00 or 100...00 to 011...11).

**DIGITAL FEEDTHROUGH**

Digital feedthrough is a measure of the impulse injected into the analog output of a DAC from the digital input pins of the device but is measured when the DAC is not being written to. It is specified in nV secs and is measured with a full-scale change on the digital input pins, i.e., from all 0s to all 1s or vice versa.

**DIGITAL CROSSTALK**

This is the glitch impulse transferred to the output of one DAC at midscale in response to a full-scale code change (all 0s to all 1s and vice versa) in the input register of another DAC. It is measured in stand-alone mode and is expressed in nV secs.

**ANALOG CROSSTALK**

This is the glitch impulse transferred to the output of one DAC due to a change in the output of another DAC. It is measured by loading one of the input registers with a full-scale code change (all 0s to all 1s and vice versa) while keeping  $\overline{LDAC}$  high. Then pulse  $\overline{LDAC}$  low and monitor the output of the DAC whose digital code was not changed. The area of the glitch is expressed in nV secs.

**DAC-TO-DAC CROSSTALK**

This is the glitch impulse transferred to the output of one DAC due to a digital code change and subsequent output change of another DAC. This includes both digital and analog crosstalk. It is measured by loading one of the DACs with a full-scale code change (all 0s to all 1s and vice versa) with  $\overline{LDAC}$  low and monitoring the output of another DAC. The energy of the glitch is expressed in nV secs.

**MULTIPLYING BANDWIDTH**

The amplifiers within the DAC have a finite bandwidth. The multiplying bandwidth is a measure of this. A sine wave on the reference (with full-scale code loaded to the DAC) appears on the output. The multiplying bandwidth is the frequency at which the output amplitude falls to 3 dB below the input.



**TOTAL HARMONIC DISTORTION**

This is the difference between an ideal sine wave and its attenuated version using the DAC. The sine wave is used as the reference for the DAC, and the THD is a measure of the harmonics present on the DAC output. It is measured in dBs.

**ROUND ROBIN**

This term is used to describe the ADT7316/17/18 cycling through the available measurement channels in sequence taking a measurement on each channel.

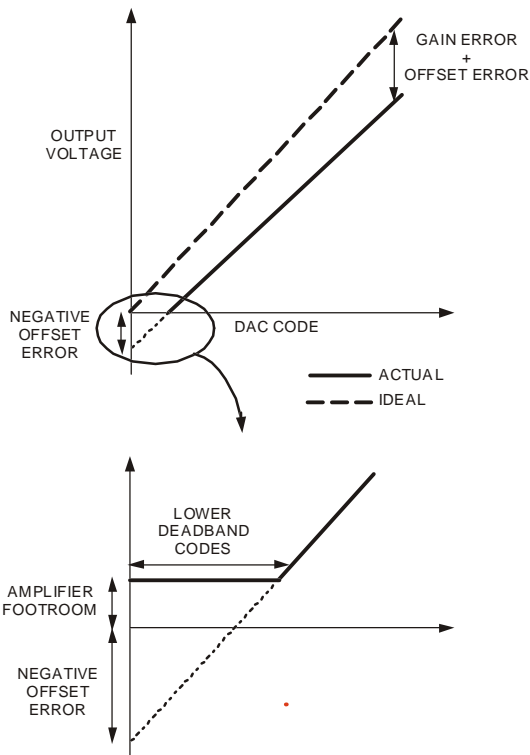


Figure 5. Transfer Function with Negative Offset

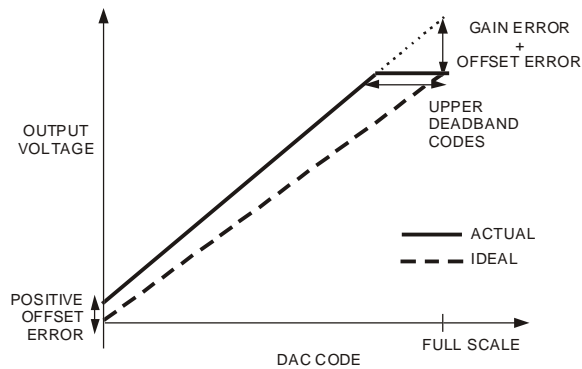
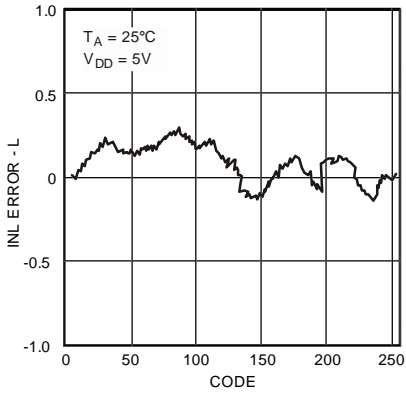
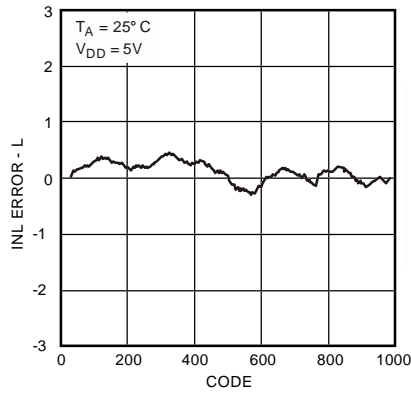


Figure 6. Transfer Function with Positive Offset ( $V_{REF} = V_{DD}$ )

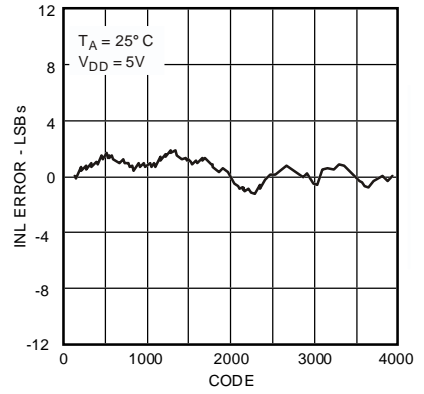
ADT7316/7317/7318



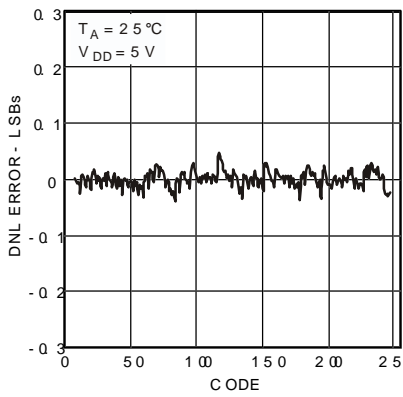
TPC 1. ADT7318 Typical INL Plot



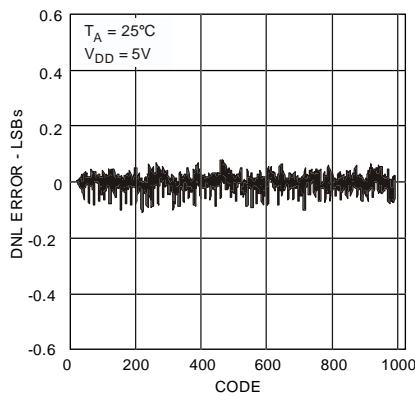
TPC 2. ADT7317 Typical INL Plot



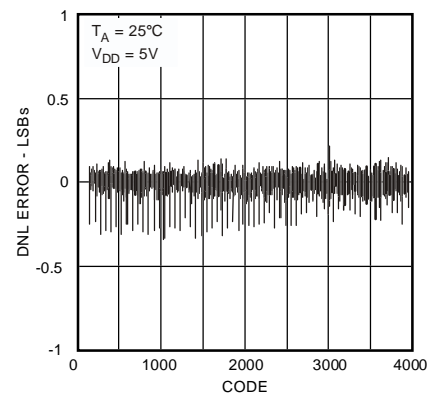
TPC 3. ADT7316 Typical INL Plot



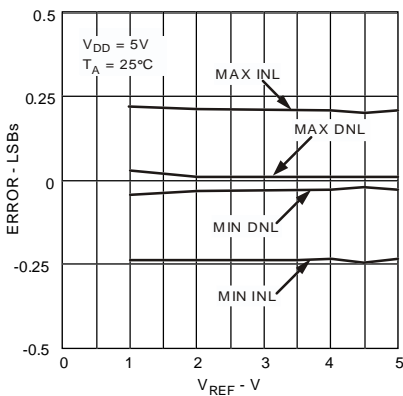
TPC 4. ADT7318 Typical DNL Plot



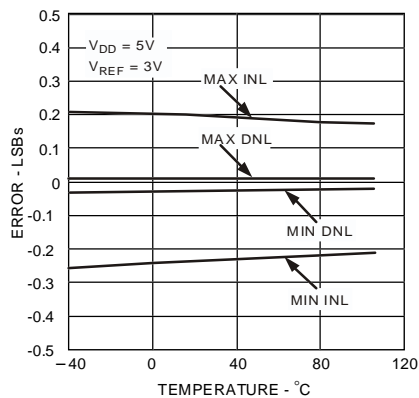
TPC 5. ADT7317 Typical DNL Plot



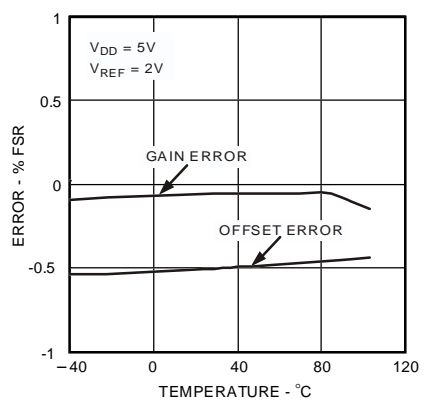
TPC 6. ADT7316 Typical DNL Plot



TPC 7. ADT7318 INL and DNL Error vs  $V_{REF}$

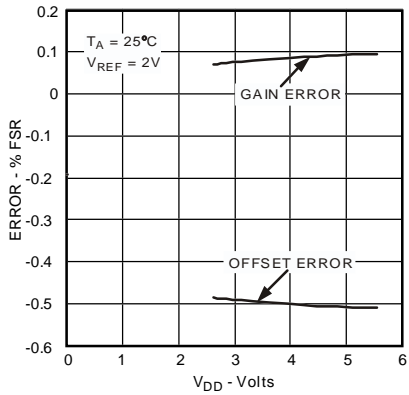


TPC 8. ADT7318 INL Error and DNL Error vs Temperature

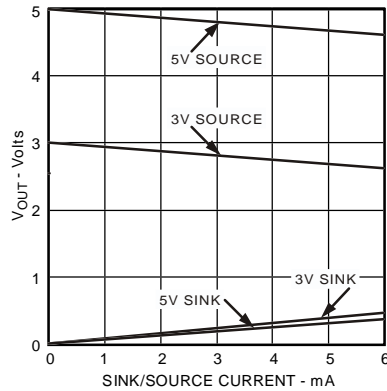


TPC 9. ADT7318 Offset Error and Gain Error vs Temperature

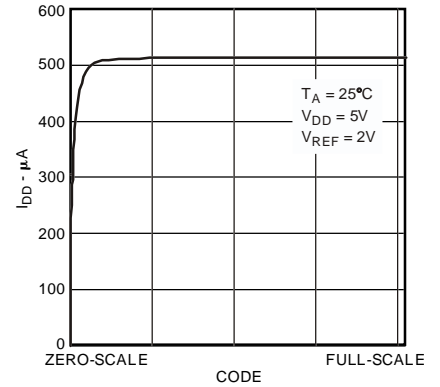
## ADT7316/7317/7318



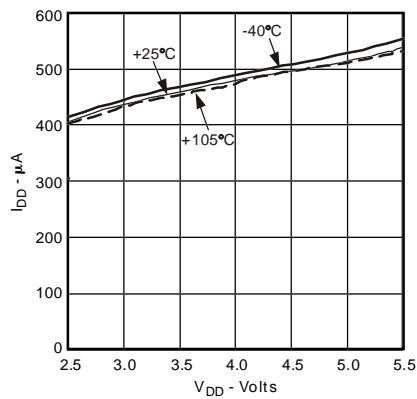
TPC 10. Offset Error and Gain Error vs  $V_{DD}$



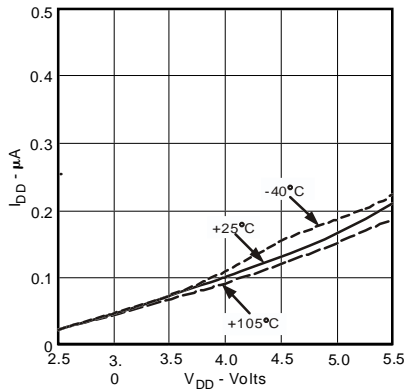
TPC 11.  $V_{OUT}$  Source and Sink Current Capability



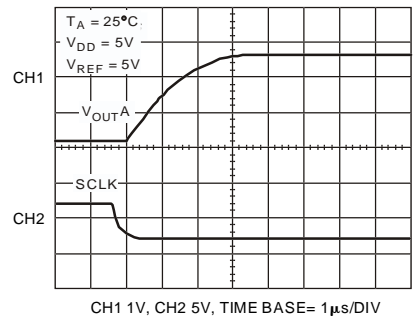
TPC 12. Supply Current vs. DAC Code



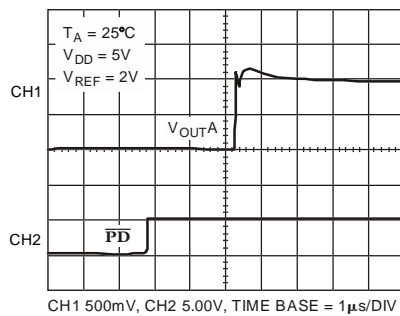
TPC 13. Supply Current vs. Supply Voltage



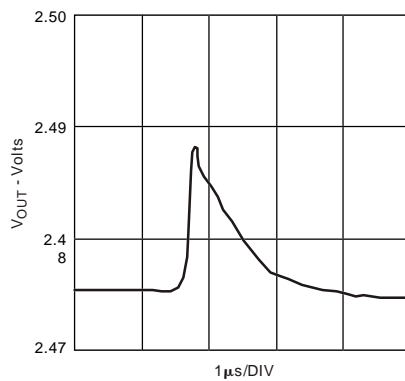
TPC 14. Power-Down Current vs. Supply Voltage



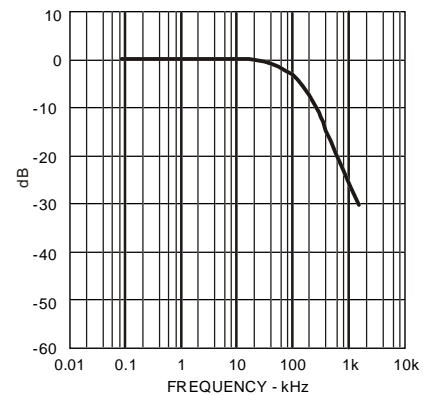
TPC 15. Half-Scale Settling (1/4 to 3/4 Scale Code Change)



TPC 16. Exiting Power-Down to Midscale



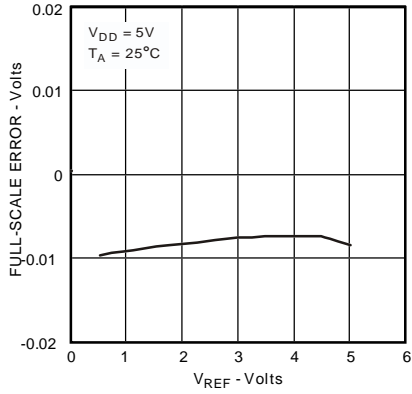
TPC 17. ADT7316 Major-Code Transition Glitch Energy



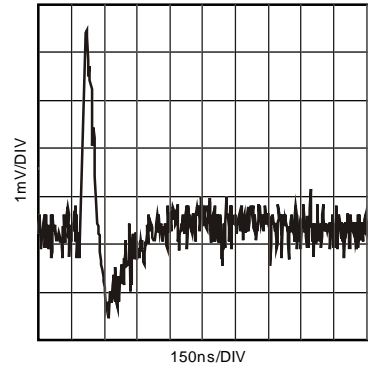
TPC 18. Multiplying Bandwidth (Small-Signal Frequency Response)

# PRELIMINARY TECHNICAL DATA

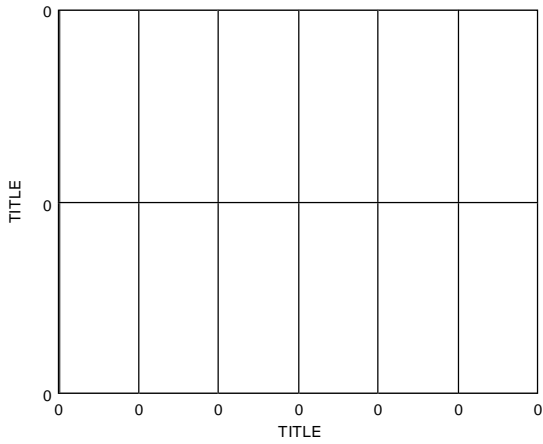
ADT7316/7317/7318



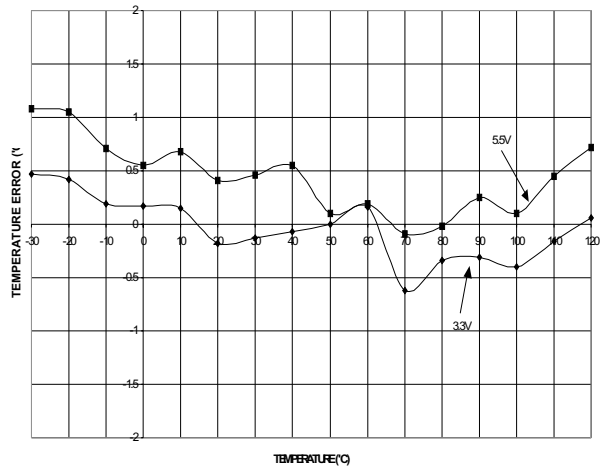
TPC 19. Full-Scale Error vs.  $V_{REF}$



TPC 20. DAC-to-DAC Crosstalk



TPC 21. PSRR vs Supply Ripple Frequency



TPC 22. Temperature Error @ 3.3 V and 5.5 V

**FUNCTIONAL DESCRIPTION - DAC**

The ADT7316/7317/7318 has quad resistor-string DACs fabricated on a CMOS process with a resolutions of 12, 10 and 8 bits respectively. They contain four output buffer amplifiers and is written to via I<sup>2</sup>C serial interface or SPI serial interface. See Serial Interface Selection section for more information.

The ADT7316/7317/7318 operates from a single supply of 2.7 V to 5.5 V and the output buffer amplifiers provide rail-to-rail output swing with a slew rate of 0.7V/μs. DACs A and B share a common reference input, namely V<sub>REFAB</sub>. DACs C and D share a common reference input, namely V<sub>REFCD</sub>. Each reference input may be buffered to draw virtually no current from the reference source, or unbuffered to give a reference input range from GND to V<sub>DD</sub>. The devices have a power-down mode, in which all DACs may be turned off completely with a high-impedance output.

Each DAC output will not be updated until it receives the LDAC command. Therefore while the DAC registers would have been written to with a new value, this value will not be represented by a voltage output until the DACs have received the LDAC command. Reading back from any DAC register prior to issuing an LDAC command will result in the digital value that corresponds to the DAC output voltage. Thus the digital value written to the DAC register cannot be read back until after the LDAC command has been initiated. This LDAC command can be given by either pulling the  $\overline{\text{LDAC}}$  pin low, setting up Bits D4 and D5 of DAC Configuration register(Address = 1Bh) or using the LDAC register(Address = 1Ch).

**Digital-to-Analog Section**

The architecture of one DAC channel consists of a resistor-string DAC followed by an output buffer amplifier. The voltage at the V<sub>REF</sub> pin or the on-chip reference of 2.25 V provides the reference voltage for the corresponding DAC. Figure 7 shows a block diagram of the DAC architecture. Since the input coding to the DAC is straight binary, the ideal output voltage is given by:

$$V_{\text{OUT}} = \frac{V_{\text{REF}} * D}{2^N}$$

where D=decimal equivalent of the binary code which is loaded to the DAC register;

- 0-255 for ADT7318 (8-Bits)
- 0-1023 for ADT7317 (10-Bits)
- 0-4095 for ADT7316 (12-Bits)

N = DAC resolution.

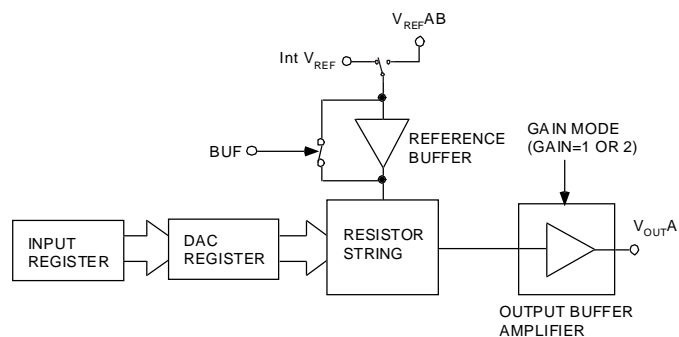


Figure 7. Single DAC channel architecture

**Resistor String**

The resistor string section is shown in Figure 9. It is simply a string of resistors, each of value R. The digital code loaded to the DAC register determines at what node on the string the voltage is tapped off to be fed into the output amplifier. The voltage is tapped off by closing one of the switches connecting the string to the amplifier. Because it is a string of resistors, it is guaranteed monotonic.

**DAC Reference Inputs**

There is a reference pin for each pair of DACs. The reference inputs are buffered but can also be individually configured as unbuffered.

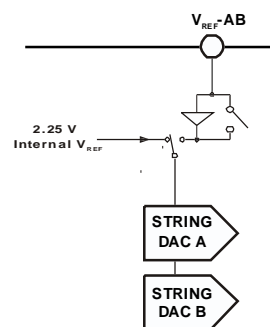


Figure 8. DAC Reference Buffer Circuit

The advantage with the buffered input is the high impedance it presents to the voltage source driving it. However if the unbuffered mode is used, the user can have a reference voltage as low as 0.25 V and as high as V<sub>DD</sub> since there is no restriction due to headroom and footroom of the reference amplifier.

## ADT7316/7317/7318

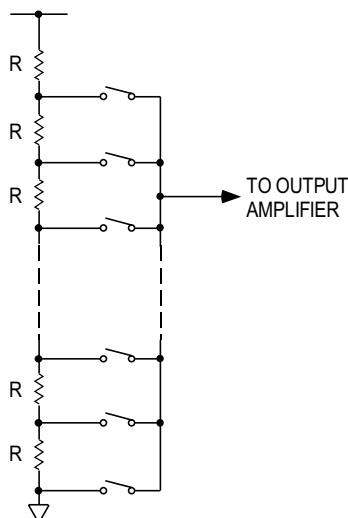


Figure 9. Resistor String

If there is a buffered reference in the circuit, there is no need to use the on-chip buffers. In unbuffered mode the input impedance is still large at typically 90 k $\Omega$  per reference input for 0- $V_{REF}$  output mode and 45 k $\Omega$  for 0- $2V_{REF}$  output mode.

The buffered/unbuffered option is controlled by the DAC Configuration Register (address 1Bh, see data register descriptions). The LDAC Configuration register controls the option to select between internal and external voltage references. The default setting is for external reference selected.

#### Output Amplifier

The output buffer amplifier is capable of generating output voltages to within 1mV of either rail. Its actual range depends on the value of  $V_{REF}$ , GAIN and offset error.

If a gain of 1 is selected (Bits 0-3 of DAC Configuration register = 0) the output range is 0.001 V to  $V_{REF}$ .

If a gain of 2 is selected (Bits 0-3 of DAC Configuration register = 1) the output range is 0.001 V to  $2V_{REF}$ . However because of clamping the maximum output is limited to  $V_{DD} - 0.001V$ .

The output amplifier is capable of driving a load of 2k $\Omega$  to GND or  $V_{DD}$ , in parallel with 500pF to GND or  $V_{DD}$ . The source and sink capabilities of the output amplifier can be seen in the plot in TPC 11.

The slew rate is 0.7V/ $\mu$ s with a half-scale settling time to  $\pm 0.5$  LSB (at 8 bits) of 6 $\mu$ s.

## FUNCTIONAL DESCRIPTION

### POWER-UP TIME

On power-up it is important that no communication to the part is initiated until 200ms after  $V_{CC}$  has settled. During this 200ms the part is performing a calibration routine and any communication to the device will interrupt this routine and could cause erroneous temperature measurements.  $V_{DD}$  must have settled to within 10% of its final value after 50ms power-on time has elapsed. Therefore once power is applied to the ADT7316/17/18, it can be addressed 250ms later. If it not possible to have  $V_{DD}$  at its

nominal value by the time 50ms has elapsed then it is recommended that a measurement be taken on the  $V_{DD}$  channel before a temperature measurement is taken.

### TEMPERATURE SENSOR

The ADT7316/7317/7318 contains a two-channel A to D converter with special input signal conditioning to enable operation with external and on-chip diode temperature sensors. When the ADT7316/7317/7318 is operating normally, the A to D converter operates in a free-running mode. When in Round Robin mode the analog input multiplexer sequentially selects the  $V_{DD}$  input channel, on-chip temperature sensor to measure its internal temperature and then the external temperature sensor. These signals are digitized by the ADC and the results stored in the various Value Registers.

The measured results are compared with the Internal and External,  $T_{HIGH}$ ,  $T_{LOW}$  limits. These temperature limits are stored in on-chip registers. If the temperature limits are not masked out then any out of limit comparisons generate flags that are stored in Interrupt Status 1 Register and one or more out-of limit results will cause the INTERRUPT output to pull either high or low depending on the output polarity setting.

Theoretically, the temperature sensor and ADC can measure temperatures from  $-128^{\circ}C$  to  $+127^{\circ}C$  with a resolution of 0.25 $^{\circ}C$ . However, temperatures outside  $T_A$  are outside the guaranteed operating temperature range of the device. Temperature measurement from  $-128^{\circ}C$  to  $+127^{\circ}C$  is possible using an external sensor.

Temperature measurement is initiated by three methods. The first method is applicable when the part is in single channel measurement mode. It uses an internal clock countdown of 20ms and then a conversion is performed. The internal oscillator is the only circuit that's powered up between conversions and once it times out, every 20ms, a wake-up signal is sent to power-up the rest of the circuitry. A monostable is activated at the beginning of the wake-up signal to ensure that sufficient time is given to the power-up process. The monostable typically takes 4  $\mu$ s to time out. It then takes typically 25 $\mu$ s for each conversion to be completed. The temperature is measured 16 times and internally averaged to reduce noise. The total time to measure a temperature channel is typically 400 $\mu$ s (25 $\mu$ s x 16). The new temperature value is loaded into the Temperature Value Register and ready for reading by the I<sup>2</sup>C or SPI interface. The user has the option of disabling the averaging by setting a bit (Bit 5) in the Control Configuration Register 2 (address 19h). The ADT7316/7317/7318 defaults on power-up with the averaging enabled.

Temperature measurement is also initiated after every read or write to the part when the part is in single channel measurement mode. Once serial communication has started, any conversion in progress is stopped and the ADC reset. Conversion will start again immediately after the serial communication has finished. The temperature measurement proceeds normally as described above.

The third method is applicable when the part is in round robin measurement mode. The part measures both the

## ADT7316/7317/7318

internal and external temperature sensors as it cycles through all possible measurement channels. The two temperature channels are measured each time the part runs a round robin sequence. In round robin mode the part is continuously measuring.

**V<sub>DD</sub> MONITORING**

The ADT7316/17/18 also has the capability of monitoring its own power supply. The part measures the voltage on its V<sub>DD</sub> pin to a resolution of 10 bits. The resultant value is stored in two 8-bit registers, the two LSBs stored in register address 03h and the eight MSBs are stored in register address 06h. This allows the user to have the option of just doing a one byte read if 10-bit resolution is not important. The measured result is compared with V<sub>HIGH</sub> and V<sub>LOW</sub> limits. If the V<sub>DD</sub> interrupt is not masked out then any out of limit comparison generates a flag in Interrupt Status 2 Register and one or more out-of-limit results will cause the INTERRUPT output to pull either high or low depending on the output polarity setting.

Measuring the voltage on the V<sub>DD</sub> pin is regarded as monitoring a channel. Therefore, along with the Internal and External temperature sensors the V<sub>DD</sub> voltage makes up the third and final monitoring channel. You can select the V<sub>DD</sub> channel for single channel measurement by setting Bit C4 = 1 and setting Bit 0 to Bit 2 to all 0's in Control Configuration 2 register.

When measuring the V<sub>DD</sub> value the reference for the ADC is sourced from the Internal Reference. Table 2 shows the data format. As the max V<sub>CC</sub> voltage measurable is 7 V, internal scaling is performed on the V<sub>CC</sub> voltage to match the 2.25V internal reference value. Below is an example of how the transfer function works.

$$V_{DD} = 5 \text{ V}$$

$$\text{ADC Reference} = 2.25 \text{ V}$$

$$1 \text{ LSB} = \text{ADC Reference} / 2^{10} = 2.25 / 1024 = 2.197\text{mV}$$

$$\text{Scale Factor} = \text{Fullscale } V_{CC} / \text{ADC Reference} = 7 / 2.25 = 3.11$$

$$\begin{aligned} \text{Conversion Result} &= V_{DD} / ((7/\text{Scale Factor}) \times \text{LSB size}) \\ &= 5 / (3.11 \times 2.197\text{mV}) \\ &= 2\text{DBh} \end{aligned}$$

**TABLE 2. V<sub>DD</sub> Data Format, V<sub>REF</sub> = 2.25V**

V <sub>DD</sub> Value	Digital Output	
	Binary	Hex
2.5 V	01 0110 1110	16E
3 V	01 1011 0111	1B7
3.5 V	10 0000 0000	200
4 V	10 0100 1001	249
4.5 V	10 1001 0010	292
5 V	10 1101 1011	2DB
5.5 V	11 0010 0100	324

6 V	11 0110 1101	36D
6.5 V	11 1011 0110	3B6
7 V	11 1111 1111	3FF

**ON-CHIP REFERENCE**

The ADT7316/17/18 has an on-chip 1.2 V band-gap reference which is gained up by a switched capacitor amplifier to give an output of 2.25 V. The amplifier is only powered up at the start of the conversion phase and is powered down at the end of conversion. On power-up the default mode is to have the internal reference selected as the reference for the DAC and ADC. The internal reference is always used when measuring the internal and external temperature sensors.

**ROUND ROBIN MEASUREMENT**

On power-up the ADT7316/17/18 goes into Round Robin mode but monitoring is disabled. Setting Bit C0 of Configuration Register 1 to a 1 enables conversions. It sequences through the three channels of V<sub>DD</sub>, Internal temperature sensor and External temperature sensor and takes a measurement from each. At intervals of t<sub>bd</sub> ms another measurement cycle is performed on all three channels. This method of taking a measurement on all three channels in one cycle is called Round Robin. Setting Bit 4 of Control Configuration 2 (address 19h) disables the Round Robin mode and in turn sets up the single channel mode. The single channel mode is where only one channel, eg. Internal temperature sensor, is measured in each conversion cycle.

The time taken to monitor all channels will normally not be of interest, as the most recently measured value can be read at any time.

For applications where the Round Robin time is important, it can be easily calculated.

As mentioned previously a conversion on each temperature channel takes 25 us and on the V<sub>DD</sub> channel it takes 15 us. Each channel is measured 16 times and internally averaged to reduce noise.

The total cycle time for voltage and temperature channels is therefore nominally :

$$(2 \times 16 \times 25) + (16 \times 15) = 1.04 \text{ ms}$$

**SINGLE CHANNEL MEASUREMENT**

Setting C4 of Control Configuration 2 register enables the single channel mode and allows the ADT7316/17/18 to focus on one channel only. A channel is selected by writing to Bits 0:2 in register Control Configuration 2 register. For example, to select the V<sub>DD</sub> channel for monitoring write to the Control Configuration 2 register and set C4 to 1 (if not done so already), then write all 0's to bits 0 to 2. All subsequent conversions will be done on the V<sub>DD</sub> channel only. To change the channel selection to the Internal temperature channel, write to the Control Configuration 2 register and set C0 = 1. When measuring in single channel mode there is a time delay of t<sub>BD</sub> us between each measurement. A measurement is also initiated after every read or write operation.

## ADT7316/7317/7318

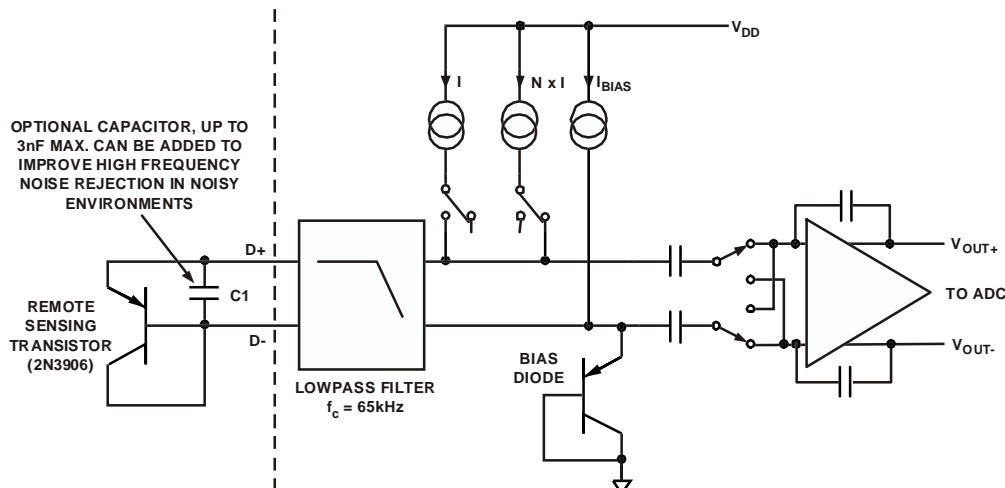


Figure 10. Signal Conditioning for External Diode temperature Sensors

**MEASUREMENT METHOD****INTERNAL TEMPERATURE MEASUREMENT**

The ADT7316/7317/7318 contains an on-chip bandgap temperature sensor, whose output is digitized by the on-chip ADC. The temperature data is stored in the Internal Temperature Value Register. As both positive and negative temperatures can be measured, the temperature data is stored in two's complement format, as shown in Table 3. The thermal characteristics of the measurement sensor could change and therefore an offset is added to the measured value to enable the transfer function to match the thermal characteristics. This offset is added before the temperature data is stored. The offset value used is stored in the Internal Temperature Offset Register.

**EXTERNAL TEMPERATURE MEASUREMENT**

The ADT7316/7317/7318 can measure the temperature of one external diode sensor or diode-connected transistor.

The forward voltage of a diode or diode-connected transistor, operated at a constant current, exhibits a negative temperature coefficient of about  $-2\text{mV}/^\circ\text{C}$ . Unfortunately, the absolute value of  $V_{be}$  varies from device to device, and individual calibration is required to null this out, so the technique is unsuitable for mass-production.

The time taken to measure the external temperature can be reduced by setting C0 of Control Config. 3 register (1Ah). This increases the ADC clock speed from 1.4KHz to 22KHz but the analog filters on the D+ and D- input pins are switched off to accommodate the higher clock speeds. Running at the slower ADC speed, the time taken to measure the external temperature is TBD while on the fast ADC this time is reduced to TBD.

The technique used in the ADT7316/7317/7318 is to measure the change in  $V_{be}$  when the device is operated at two different currents.

This is given by:

$$\Delta V_{be} = KT/q \times \ln(N)$$

where:

K is Boltzmann's constant

q is charge on the carrier

T is absolute temperature in Kelvins

N is ratio of the two currents

Figure 10 shows the input signal conditioning used to measure the output of an external temperature sensor. This figure shows the external sensor as a substrate transistor, provided for temperature monitoring on some microprocessors, but it could equally well be a discrete transistor.

If a discrete transistor is used, the collector will not be grounded, and should be linked to the base. If a PNP transistor is used the base is connected to the D- input and the emitter to the D+ input. If an NPN transistor is used, the emitter is connected to the D- input and the base to the D+ input.

We recommend that a 2N3906 be used as the external transistor.

To prevent ground noise interfering with the measurement, the more negative terminal of the sensor is not referenced to ground, but is biased above ground by an internal diode at the D- input. As the sensor is operating in a noisy environment, C1 is provided as a noise filter. See the section on layout considerations for more information on C1.

To measure  $\Delta V_{be}$ , the sensor is switched between operating currents of  $I$  and  $N \times I$ . The resulting waveform is passed through a lowpass filter to remove noise, thence to a chopper-stabilized amplifier that performs the functions of amplification and rectification of the waveform to produce a DC voltage proportional to  $\Delta V_{be}$ . This voltage is measured by the ADC to give a temperature output in 8-bit two's complement format. To further reduce the effects of noise, digital filtering is performed by averaging the results of 16 measurement cycles.



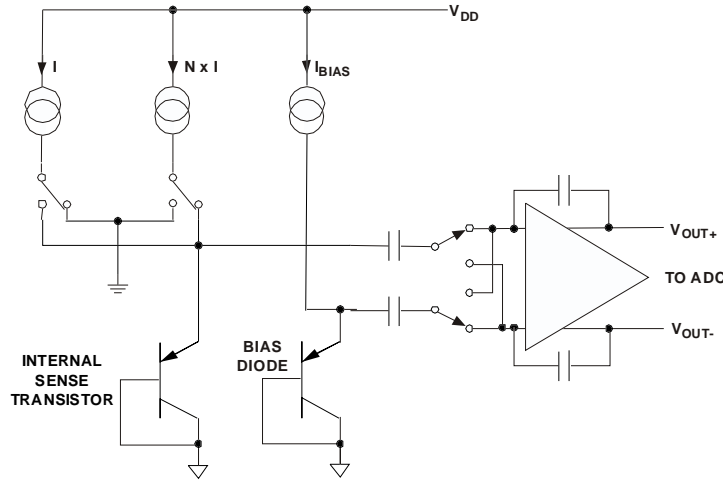


Figure 11. Top Level Structure of Internal Temperature Sensor

**LAYOUT CONSIDERATIONS**

Digital boards can be electrically noisy environments, and care must be taken to protect the analog inputs from noise, particularly when measuring the very small voltages from a remote diode sensor. The following precautions should be taken:

1. Place the ADT7316/17/18 as close as possible to the remote sensing diode. Provided that the worst noise sources such as clock generators, data/address buses and CRTs are avoided, this distance can be 4 to 8 inches.
2. Route the D+ and D- tracks close together, in parallel, with grounded guard tracks on each side. Provide a ground plane under the tracks if possible.
3. Use wide tracks to minimize inductance and reduce noise pickup. 10 mil track minimum width and spacing is recommended.



Figure 12. Arrangement of Signal Tracks

4. Try to minimize the number of copper/solder joints, which can cause thermocouple effects. Where copper/solder joints are used, make sure that they are in both the D+ and D- path and at the same temperature.

Thermocouple effects should not be a major problem as 1°C corresponds to about 240µV, and thermocouple voltages are about 3µV/°C of temperature difference. Unless there are two thermocouples with a big temperature differential between them, thermocouple voltages should be much less than 200mV.

5. Place 0.1µF bypass and 2200pF input filter capacitors close to the ADT7316/17/18.
6. If the distance to the remote sensor is more than 8 inches, the use of twisted pair cable is recommended. This will work up to about 6 to 12 feet.
7. For really long distances (up to 100 feet) use shielded twisted pair such as Belden #8451 microphone cable. Connect the twisted pair to D+ and D- and the shield to GND close to the ADT7316/17/18. Leave the remote end of the shield unconnected to avoid ground loops.

Because the measurement technique uses switched current sources, excessive cable and/or filter capacitance can affect the measurement. When using long cables, the filter capacitor may be reduced or removed.

Cable resistance can also introduce errors. 1Ω series resistance introduces about 0.5°C error.

**TEMPERATURE VALUE FORMAT**

One LSB of the ADC corresponds to 0.25°C. The ADC can theoretically measure a temperature span of 255 °C. The internal temperature sensor is guaranteed to a low value limit of -40 °C. It is possible to measure the full temperature span using the external temperature sensor. The temperature data format is shown in Tables 3.

The result of the internal or external temperature measurements is stored in the temperature value registers, and is compared with limits programmed into the Internal or External High and Low Registers.

**TABLE 3. Temperature Data Format (Internal and External Temperature)**

Temperature	Digital Output DB9.....DB0
-40 °C	11 0110 0000

ADT7316/7317/7318

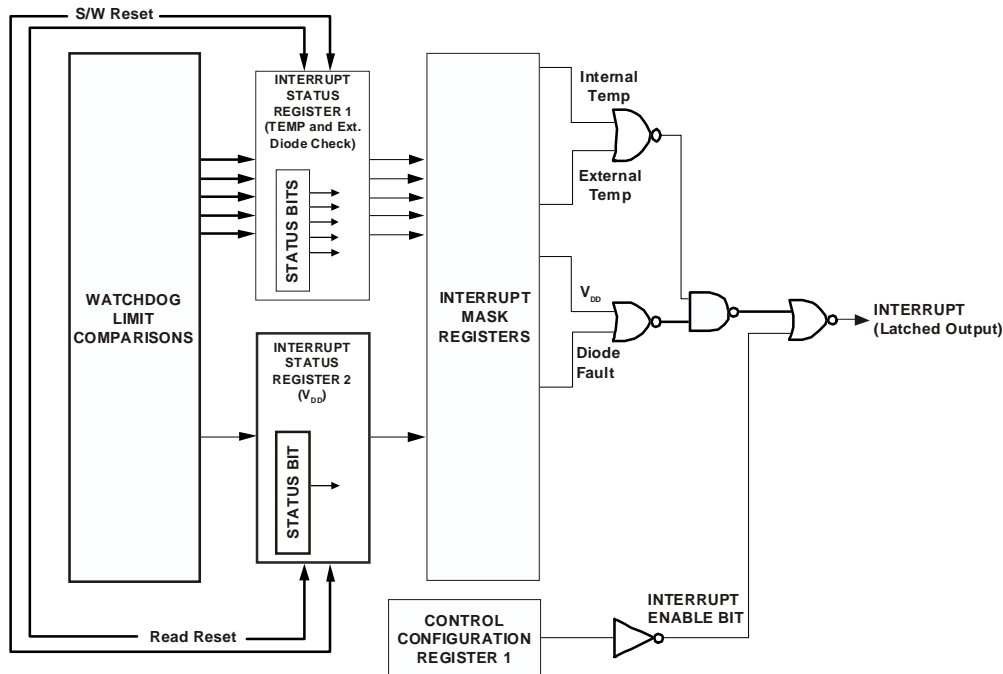


Figure 13. ADT7316/17/18 Interrupt Structure

-25 °C	11 1001 1100
-10 °C	11 1101 1000
-0.25 °C	11 1111 1111
0 °C	00 0000 0000
+0.25 °C	00 0000 0001
+10 °C	00 0010 1000
+25 °C	00 0110 0100
+50 °C	00 1100 1000
+75 °C	01 0010 1100
+100 °C	01 1001 0000
+105 °C	01 1010 0100
+125 °C	01 1111 0100

Temperature Conversion Formula:

1. Positive Temperature = ADC Code/4
2. Negative Temperature = (ADC Code\* - 512)/4

\*DB9 is removed from the ADC Code

**INTERRUPTS**

The measured results from the internal temperature sensor, external temperature sensor and the V<sub>DD</sub> pin are compared with the T<sub>HIGH</sub>/V<sub>HIGH</sub> and T<sub>LOW</sub>/V<sub>LOW</sub> limits. These limits are stored in on-chip registers. Please note that the limit registers are 8 bits long while the conversion results are 10 bits long. If the limits are not masked out then any out of limit comparisons generate flags that are stored in

Interrupt Status 1 Register (address = 00h) and Interrupt Status 2 Register (address = 01h). One or more out-of-limit results will cause the INTERRUPT output to pull either high or low depending on the output polarity setting.

Figure 13 shows the interrupt structure for the ADT7316/17/18. It gives a block diagram representation of how the various measurement channels affect the INTERRUPT pin.

**THERMAL VOLTAGE OUTPUT**

The ADT7316/17/18 has the capability of outputting a voltage that is proportional to temperature. DAC A output can be configured to represent the temperature of the internal sensor while DAC B output can be configured to represent the external temperature sensor. Bits 5 and 6 of Control Configuration 3 register select the temperature proportional output voltage. Each time a temperature measurement is taken the DAC output is updated. The output resolution ADT7318 is 8 bits with 1°C change corresponding to one LSB change. The output resolution for the ADT7316 and ADT7317 is capable of 10 bits with 0.25°C change corresponding to one LSB change. The default output resolution for the ADT7316 and ADT7317 is 8 bits. To increase this to 10 bits, set bit 1=1 of Control Configuration 3 register. The default output range is 0V-V<sub>REF</sub> and this can be increased to 0V-2V<sub>REF</sub>. Increasing the output voltage span to 2V<sub>REF</sub> can be done by setting D0 = 1 for DAC A (Internal Temperature Sensor) and D1 = 1 for DAC B (External Temperature Sensor) in DAC Configuration register (address 1Bh).

The output voltage is capable of tracking a max temperature range of -128°C to +127°C but the default setting is -40°C to +127°C. If the output voltage range is 0V-V<sub>REF</sub>

( $V_{REF} = 2.25\text{ V}$ ) then this corresponds to 0V representing  $-40^{\circ}\text{C}$  and 1.48V representing  $+127^{\circ}\text{C}$ . This of course will give an upper deadband between 1.48V and  $V_{REF}$ .

The Internal and External Analog Temperature Offset registers can be used to vary this upper deadband and consequently the temperature that 0V corresponds to. Tables 4 and 5 give examples of how this is done using a DAC output voltage span of  $V_{REF}$  and  $2V_{REF}$  respectively. Simply write in the temperature value, in 2's complement format, that you want 0V to start at. For example, if you are using the DAC A output and you want 0V to start at  $-40^{\circ}\text{C}$  then program D8h into the Internal Analog Temperature Offset register (address 21h). This is an 8-bit register and thus only has a temperature offset resolution of  $1^{\circ}\text{C}$  for all device models. Use the following formulas to determine the value to program into the offset registers.

Negative temperatures : -

$$\text{Offset Register Code(d)}^* = (0\text{V Temp}) + 128$$

\*D7 of Offset Register Code is set to 1 for negative temperatures.

Example : -

$$\begin{aligned} \text{Offset Register Code(d)} &= (-40) + 128 \\ &= 88\text{d} = 58\text{h} \end{aligned}$$

Since a negative temperature has been inputted into the equation, DB7 (MSB) of the Offset Register code is set to a 1. Therefore 58h becomes D8h.

$$58\text{h} + \text{DB7}(1) \Rightarrow \text{D8h}$$

Positive temperatures : -

$$\text{Offset Register Code(d)} = 0\text{V Temp}$$

Example : -

$$\text{Offset Register Code (d)} = 10\text{d} = 0\text{Ah}$$

**Table 4. Thermal Voltage Output (0V- $V_{REF}$ )**

O/P Voltage	Default $^{\circ}\text{C}$	Max $^{\circ}\text{C}$	Sample $^{\circ}\text{C}$
0V	-40	-128	0
0.5V	+17	-71	+56
1V	+73	-15	+113
1.12V	+87	-1	+127
1.47V	+127	+39	UDB*
1.5V	UDB*	+42	UDB*
2V	UDB*	+99	UDB*
2.25V	UDB*	+127	UDB*

\* Upper deadband has been reached. DAC output is not capable of increasing. Reference Figure 6.

**Table 5. Thermal Voltage Output, (0V- $2V_{REF}$ )**

O/P Voltage	Default $^{\circ}\text{C}$	Max $^{\circ}\text{C}$	Sample $^{\circ}\text{C}$
0V	-40	-128	0
0.25V	-26	-114	14
0.5V	+12	-100	+28

0.75V	+3	-85	43
1V	+17	-71	+57
1.12V	+23	-65	+63
1.47V	+43	-45	+83
1.5V	+45	-43	+85
2V	+73	-15	+113
2.25V	+88	0	+127
2.5V	+102	+14	UDB*
2.75V	+116	+28	UDB*
3V	UDB*	+42	UDB*
3.25V	UDB*	+56	UDB*
3.5V	UDB*	+70	UDB*
3.75V	UDB*	+85	UDB*
4V	UDB*	+99	UDB*
4.25V	UDB*	+113	UDB*
4.5V	UDB*	+127	UDB*

\* Upper deadband has been reached. DAC output is not capable of increasing. Reference Figure 6.

The following equation is used to work out the various temperatures for the corresponding 8-bit DAC output :-

$$8\text{-Bit Temp} = (\text{DAC O/P} \div 1 \text{ LSB}) + (0\text{V Temp})$$

For example, if the output is 1.5V,  $V_{REF} = 2.25\text{ V}$ , 8-bit DAC has an LSB size =  $2.25\text{V}/255 = 8.82 \times 10^{-3}$ , and 0V Temp is at  $-128^{\circ}\text{C}$  then the resultant temperature works out to be :-

$$(1.5 \div 8.82 \times 10^{-3}) + (-128) = +42^{\circ}\text{C}$$

The following equation is used to work out the various temperatures for the corresponding 10-bit DAC output :-

$$10\text{-Bit Temp} = ((\text{DAC O/P} \div 1 \text{ LSB}) \times 0.25) + (0\text{V Temp})$$

For example, if the output is 0.4991V,  $V_{REF} = 2.25\text{ V}$ , 10-bit DAC has an LSB size =  $2.25\text{V}/1024 = 2.197 \times 10^{-3}$ , and 0V Temp is at  $-40^{\circ}\text{C}$  then the resultant temperature works out to be :-

$$((0.4991 \div 2.197 \times 10^{-3}) \times 0.25) + (-40) = +16.75^{\circ}\text{C}$$

Figure 14 shows a graph of DAC output vs temperature for a  $V_{REF} = 2.25\text{ V}$ .

ADT7316/7317/7318

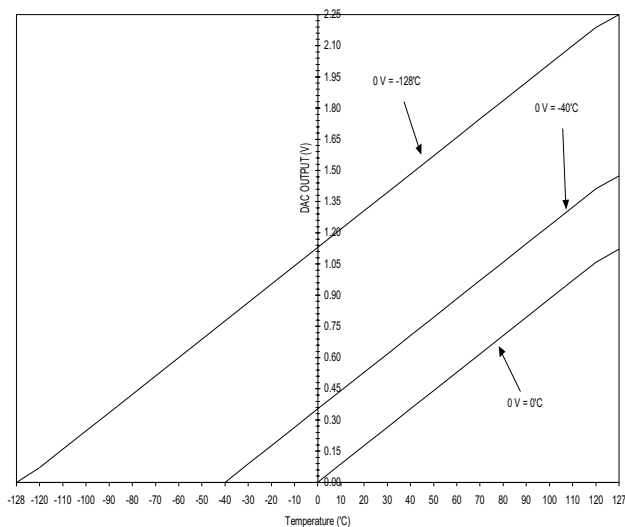


Figure 14. DAC Output vs Temperature,  $V_{REF} = 2.25 V$

ADT7316/7317/7318 REGISTERS

The ADT7316/17/18 contains registers that are used to store the results of external and internal temperature measurements,  $V_{DD}$  value measurements, high and low temperature and supply voltage limits, set output DAC voltage levels, configure multipurpose pins and generally control the device. A description of these registers follows.

The register map is divided into registers of 8-bits long. Each register has its own individual address but some consist of data that is linked with other registers. These registers hold the 10-bit conversion results of measurements taken on the Temperature and  $V_{DD}$  channels. For example, the 8 MSBs of the  $V_{DD}$  measurement are stored in register address 06h while the 2 LSBs are stored in register address 03h. The link involved between these types of registers is that when the LSB register is read first then the MSB registers associated with that LSB register are locked to prevent any updates. To unlock these MSB registers the user has only to read any one of them, which will have the affect of unlocking all previously locked MSB registers. So for the example given above if register 03h was read first then MSB registers 06h and 07h would be locked to prevent any updates to them. If register 06h was read then this register and register 07h would be subsequently unlocked.

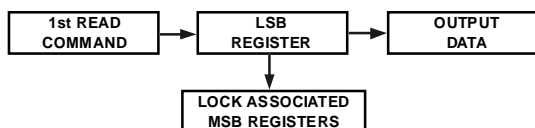


Figure 15. Phase 1 of 10-Bit Read

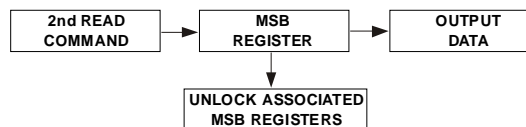


Figure 16. Phase 2 of 10-Bit Read

If an MSB register is read first, its corresponding LSB register is not locked thus leaving the user with the option of just reading back 8 bits (MSB) of a 10-bit conversion result. Reading an MSB register first does not lock up other MSB registers and likewise reading an LSB register first does not lock up other LSB registers.

Table 6. List of ADT7316/7317/7318 Registers

RD/WR Address	Name	Power-on Default
00h	Interrupt Status 1	00h
01h	Interrupt Status 2	00h
02h	RESERVED	
03h	Internal Temp & $V_{DD}$ LSBs	00h
04h	External Temp LSBs	00h
05h	RESERVED	
06h	$V_{DD}$ MSBs	00h
07h	Internal Temperature MSBs	00h
08h	External Temp MSBs	00h
09h-0Fh	RESERVED	
10h	DAC A LSBs (ADT7316/17 only)	00h
11h	DAC A MSBs	00h
12h	DAC B LSBs (ADT7316/17 only)	00h
13h	DAC B MSBs	00h
14h	DAC C LSBs (ADT7316/17 only)	00h
15h	DAC C MSBs	00h
16h	DAC D LSBs (ADT7316/17 only)	00h
17h	DAC D MSBs	00h
18h	Control CONFIG 1	00h
19h	Control CONFIG 2	00h
1Ah	Control CONFIG 3	00h
1Bh	DAC CONFIG	00h
1Ch	LDAC CONFIG	00h
1Dh	Interrupt Mask 1	00h
1Eh	Interrupt Mask 2	00h
1Fh	Internal Temp Offset	00h
20h	External Temp Offset	00h
21h	Internal Analog Temp Offset	D8h

22h	External Analog Temp Offset	D8h
23h	V <sub>DD</sub> V <sub>HIGH</sub> Limit	C9h
24h	V <sub>DD</sub> V <sub>LOW</sub> Limit	62h
25h	Internal T <sub>HIGH</sub> Limit	64h
26h	Internal T <sub>LOW</sub> Limit	C9h
27h	External T <sub>HIGH</sub>	FFh
28h	External T <sub>LOW</sub>	00h
29h-4Ch RESERVED		
4Dh Device ID 01h/05h/09h		
4Eh	Manufacturer's ID	41h
4Fh	Silicon Revision	00h
50h-FFh RESERVED		

**Interrupt Status 1 Register (Read only) [Add. = 00h]**

This 8-bit read only register reflects the status of some of the interrupts that can cause the INTERRUPT pin to go active. This register is reset by a read operation or by a software reset.

**Table 7. Interrupt Status 1 Register**

D7	D6	D5	D4	D3	D2	D1	D0
N/A	N/A	N/A	0*	0*	0*	0*	0*

\*Default settings at Power-up.

**Bit Function**

D0	1 when Internal Temp Value exceeds T <sub>HIGH</sub> limit
D1	1 when Internal Temp Value exceeds T <sub>LOW</sub> limit
D2	1 when External Temp Value exceeds T <sub>HIGH</sub> limit
D3	1 when External Temp Value exceeds T <sub>LOW</sub> limit
D4	1 indicates a fault (open or short) for the external temperature sensor.

**Interrupt Status 2 Register (Read only) [Add. = 01h]**

This 8-bit read only register reflects the status of the V<sub>DD</sub> interrupt that can cause the INTERRUPT pin to go active. This register is reset by a read operation or by a software reset.

**Table 8. Interrupt Status 1 Register**

D7	D6	D5	D4	D3	D2	D1	D0
N/A	N/A	N/A	0*	N/A	N/A	N/A	N/A

\*Default settings at Power-up.

**Bit Function**

D4	1 when V <sub>DD</sub> value exceeds corresponding V <sub>HIGH</sub> and V <sub>LOW</sub> limits
----	--

**INTERNAL TEMPERATURE VALUE/V<sub>DD</sub> VALUE REGISTER LSBs (Read only) [Add. = 03h]**

This Internal Temperature Value and V<sub>DD</sub> Value Register is a 8-bit read-only register. It stores the two LSBs of the 10-bit temperature reading from the internal temperature sensor and also the two LSBs of the 10-bit supply voltage reading.

**Table 9. Internal Temp/V<sub>DD</sub> LSBs**

D7	D6	D5	D4	D3	D2	D1	D0
N/A	N/A	N/A	N/A	V1	LSB	T1	LSB
N/A	N/A	N/A	N/A	0*	0*	0*	0*

\*Default settings at Power-up.

**Bit Function**

D0	LSB of Internal Temperature Value
D1	B1 of Internal Temperature Value
D2	LSB of V <sub>DD</sub> Value
D3	B1 of V <sub>DD</sub> Value

**EXTERNAL TEMPERATURE VALUE REGISTER LSBs (Read only) [Add. = 04h]**

This External Temperature Value is a 8-bit read-only register. It stores the two LSBs of the 10-bit temperature reading from the external temperature sensor.

**Table 10. External Temperature LSBs**

D7	D6	D5	D4	D3	D2	D1	D0
N/A	N/A	N/A	N/A	N/A	N/A	T1	LSB
N/A	N/A	N/A	N/A	N/A	N/A	0*	0*

\*Default settings at Power-up.

**Bit Function**

D0	LSB of External Temperature Value
D1	B1 of External Temperature Value

**V<sub>DD</sub> VALUE REGISTER MSBs (Read only) [Add. = 06h]**

This 8-bit read only register stores the supply voltage value. The 8 MSBs of the 10-bit value are stored in this register.

**Table 11. V<sub>DD</sub> Value MSBs**

# ADT7316/7317/7318

D7	D6	D5	D4	D3	D2	D1	D0
V9	V8	V7	V6	V5	V4	V3	V2
0*	0*	0*	0*	0*	0*	0*	0*

\*Default settings at Power-up.

## INTERNAL TEMPERATURE VALUE REGISTER MSBS (Read only) [Add. = 07h]

This 8-bit read only register stores the Internal Temperature value from the internal temperature sensor in twos complement format. The 8 MSBs of the 10-bit value are stored in this register.

Table 12. Internal Temperature Value MSBs

D7	D6	D5	D4	D3	D2	D1	D0
T9	T8	T7	T6	T5	T4	T3	T2
0*	0*	0*	0*	0*	0*	0*	0*

\*Default settings at Power-up.

## EXTERNAL TEMPERATURE VALUE REGISTER MSBS (Read only) [Add. = 08h]

This 8-bit read only register stores the External Temperature value from the external temperature sensor in twos complement format. The 8 MSBs of the 10-bit value are stored in this register.

Table 13. External Temperature Value MSBs

D7	D6	D5	D4	D3	D2	D1	D0
T9	T8	T7	T6	T5	T4	T3	T2
0*	0*	0*	0*	0*	0*	0*	0*

\*Default settings at Power-up.

## DAC A REGISTER LSBs (Read/Write) [Add. = 10h]

This 8-bit read/write register contains the 4/2 LSBs of the ADT7316/7317 DAC A word respectively. The value in this register is combined with the value in the DAC A Register MSBs and converted to an analog voltage on the V<sub>OUTA</sub> pin. On power-up the voltage output on the V<sub>OUTA</sub> pin is 0 V.

Table 14. DAC A (ADT7316) LSBs

D7	D6	D5	D4	D3	D2	D1	D0
B3	B2	B1	LSB	N/A	N/A	N/A	N/A
0*	0*	0*	0*	N/A	N/A	N/A	N/A

\*Default settings at Power-up.

Table 15. DAC A (ADT7317) LSBs

D7	D6	D5	D4	D3	D2	D1	D0
B2	LSB	N/A	N/A	N/A	N/A	N/A	N/A
0*	0*	N/A	N/A	N/A	N/A	N/A	N/A

\*Default settings at Power-up.

## DAC A REGISTER MSBS (Read/Write) [Add. = 11h]

This 8-bit read/write register contains the 8 MSBs of the DAC A word. The value in this register is combined with the value in the DAC A Register LSBs and converted to an analog voltage on the V<sub>OUTA</sub> pin. On power-up the voltage output on the V<sub>OUTA</sub> pin is 0 V.

Table 16. DAC A MSBs

D7	D6	D5	D4	D3	D2	D1	D0
MSB	B8	B7	B6	B5	B4	B3	B2
0*	0*	0*	0*	0*	0*	0*	0*

\*Default settings at Power-up.

## DAC B REGISTER LSBs (Read/Write) [Add. = 12h]

This 8-bit read/write register contains the 4/2 LSBs of the ADT7316/7317 DAC B word respectively. The value in this register is combined with the value in the DAC B Register MSBs and converted to an analog voltage on the V<sub>OUTB</sub> pin. On power-up the voltage output on the V<sub>OUTB</sub> pin is 0 V.

Table 17. DAC B (ADT7316) LSBs

D7	D6	D5	D4	D3	D2	D1	D0
B3	B2	B1	LSB	N/A	N/A	N/A	N/A
0*	0*	0*	0*	N/A	N/A	N/A	N/A

\*Default settings at Power-up.

Table 18. DAC B (ADT7317) LSBs

D7	D6	D5	D4	D3	D2	D1	D0
B2	LSB	N/A	N/A	N/A	N/A	N/A	N/A
0*	0*	N/A	N/A	N/A	N/A	N/A	N/A

\*Default settings at Power-up.

## DAC B REGISTER MSBS (Read/Write) [Add. = 13h]

This 8-bit read/write register contains the 8 MSBs of the DAC B word. The value in this register is combined with the value in the DAC B Register LSBs and converted to an analog voltage on the V<sub>OUTB</sub> pin. On power-up the voltage output on the V<sub>OUTB</sub> pin is 0 V.

Table 19. DAC B MSBs

D7	D6	D5	D4	D3	D2	D1	D0
MSB	B8	B7	B6	B5	B4	B3	B2
0*	0*	0*	0*	0*	0*	0*	0*

\*Default settings at Power-up.

## DAC C REGISTER LSBs (Read/Write) [Add. = 14h]

This 8-bit read/write register contains the 4/2 LSBs of the ADT7316/7317 DAC C word respectively. The value in this register is combined with the value in the DAC C Register MSBs and converted to an analog voltage on the V<sub>OUTC</sub> pin. On power-up the voltage output on the V<sub>OUTC</sub> pin is 0 V.

ADT7316/7317/7318

Table 20. DAC C (ADT7316) LSBs

D7	D6	D5	D4	D3	D2	D1	D0
B3	B2	B1	LSB	N/A	N/A	N/A	N/A
0*	0*	0*	0*	N/A	N/A	N/A	N/A

\*Default settings at Power-up.

Table 21. DAC C (ADT7317) LSBs

D7	D6	D5	D4	D3	D2	D1	D0
B2	LSB	N/A	N/A	N/A	N/A	N/A	N/A
0*	0*	N/A	N/A	N/A	N/A	N/A	N/A

\*Default settings at Power-up.

**DAC C REGISTER MSBS (Read/Write) [Add. = 15h]**

This 8-bit read/write register contains the 8 MSBs of the DAC C word. The value in this register is combined with the value in the DAC C Register LSBs and converted to an analog voltage on the V<sub>OUTC</sub> pin. On power-up the voltage output on the V<sub>OUTC</sub> pin is 0 V.

Table 22. DAC C MSBs

D7	D6	D5	D4	D3	D2	D1	D0
MSB	B8	B7	B6	B5	B4	B3	B2
0*	0*	0*	0*	0*	0*	0*	0*

\*Default settings at Power-up.

**DAC D REGISTER LSBs (Read/Write) [Add. = 16h]**

This 8-bit read/write register contains the 4/2 LSBs of the ADT7316/7317 DAC D word respectively. The value in this register is combined with the value in the DAC D Register MSBs and converted to an analog voltage on the V<sub>OUTD</sub> pin. On power-up the voltage output on the V<sub>OUTD</sub> pin is 0 V.

Table 23. DAC D (ADT7316) LSBs

D7	D6	D5	D4	D3	D2	D1	D0
B3	B2	B1	LSB	N/A	N/A	N/A	N/A
0*	0*	0*	0*	N/A	N/A	N/A	N/A

\*Default settings at Power-up.

Table 24. DAC D (ADT7317) LSBs

D7	D6	D5	D4	D3	D2	D1	D0
B2	LSB	N/A	N/A	N/A	N/A	N/A	N/A
0*	0*	N/A	N/A	N/A	N/A	N/A	N/A

\*Default settings at Power-up.

**DAC D REGISTER MSBS (Read/Write) [Add. = 17h]**

This 8-bit read/write register contains the 8 MSBs of the DAC D word. The value in this register is combined with the value in the DAC D Register LSBs and converted to an analog voltage on the V<sub>OUTD</sub> pin. On power-up the voltage output on the V<sub>OUTD</sub> pin is 0 V.

Table 25. DAC D MSBs

D7	D6	D5	D4	D3	D2	D1	D0
MSB	B8	B7	B6	B5	B4	B3	B2
0*	0*	0*	0*	0*	0*	0*	0*

\*Default settings at Power-up.

**CONTROL CONFIGURATION 1 REGISTER (Read/Write) [Add. = 18h]**

This configuration register is an 8-bit read/write register that is used to setup some of the operating modes of the ADT7316/17/18.

Table 26. Control Configuration 1

D7	D6	D5	D4	D3	D2	D1	D0
PD	C6	C5	C4	C3	C2	C1	C0
0*	0*	0*	0*	0*	0*	0*	0*

\*Default settings at Power-up.

Bit	Function
C0	This bit enables/disables conversions in Round Robin mode. ADT7316/17/18 powers up in Round Robin mode but monitoring is not initiated until this bit is set. Default = 0. 0 = Disable Round Robin monitoring. 1 = Enable Round Robin monitoring.
C1:4	RESERVED. Only write 0's.
C5	0 Enable INTERRUPT 1 Disable INTERRUPT
C6	Configures INTERRUPT output polarity. 0 Active low 1 Active High
C7	Power-down Bit. Setting this bit to 1 puts the ADT7316/17/18 into standby mode. In this mode both ADC and DACs are fully powered down, but serial interface is still operational. To power up the part again just write 0 to this bit.

**CONTROL CONFIGURATION 2 REGISTER (Read/Write) [Add. = 19h]**

This configuration register is an 8-bit read/write register that is used to setup some of the operating modes of the ADT7316/17/18.

Table 27. Control Configuration 2

D7	D6	D5	D4	D3	D2	D1	D0
C7	C6	C5	C4	C3	C2	C1	C0
0*	0*	0*	0*	0*	0*	0*	0*

\*Default settings at Power-up.

Bit	Function
-----	----------

# ADT7316/7317/7318

C2:0	In single channel mode these bits select between $V_{DD}$ , the internal temperature sensor and the external temperature sensor for conversion. Default is $V_{DD}$ . 000 = $V_{DD}$ 001 = Internal Temperature Sensor. 010 = External Temperature Sensor 011 - 111 = RESERVED
C3	RESERVED
C4	Selects between single channel and Round Robin conversion cycle. Default is Round Robin. 0 = Round Robin. 1 = Single Channel.
C5	Default condition is to average every measurement on all channels 16 times. This bit disables this averaging. Channels consist of temperature, analog inputs and $V_{DD}$ . 0 = Enable averaging. 1 = Disable averaging.
C6	SMBus timeout on the serial clock puts a max limit on the pulse width of the clock. Ensures that a fault on the master SCL does not lock up the SDA line. 0 = Disable SMBus Timeout. 1 = Enable SMBus Timeout.
C7	Software Reset. Setting this bit to a 1 causes a software reset. All registers and DAC outputs will reset to their default settings.

## CONTROL CONFIGURATION 3 REGISTER (Read/Write) [Add. = 1Ah]

This configuration register is an 8-bit read/write register that is used to setup some of the operating modes of the ADT7316/17/18.

Table 28. Control Configuration 3

D7	D6	D5	D4	D3	D2	D1	D0
C7	C6	C5	C4	C3	C2	C1	C0
0*	0*	0*	0*	0*	0*	0*	0*

\*Default settings at Power-up.

Bit	Function
C0	Selects between fast and normal ADC conversion speeds for all three monitoring channels. 0 = ADC clock at 1.4 KHz. 1 = ADC clock at 22.5 KHz.
C1	On the ADT7316 and ADT7317, this bit selects between 8 bits and 10 bits DAC output resolution on the Thermal Voltage Output feature. Default = 8 bits. This bit has no affect on the ADT7318 output as this part has only an 8-bit DAC. In the ADT7318 case, write 0 to this bit. 0 = 8 bits resolution. 1 = 10 bits resolution.
C2	RESERVED. Only write 0's.

C3	0 = $\overline{LDAC}$ pin controls updating of DAC outputs. 1 = DAC Configuration register and LDAC Configuration register control updating of DAC outputs.
C4	RESERVED. Only write 0.
C5	Setting this bit selects DAC A voltage output to be proportional to the internal temperature measurement.
C6	Setting this bit selects DAC B voltage output to be proportional to the external temperature measurement.
C7	RESERVED. Only write 0.

## DAC CONFIGURATION REGISTER (Read/Write)

[Add. = 1Bh]

This configuration register is an 8-bit read/write register that is used to control the output ranges of all four DACs and also to control the loading of the DAC registers if the  $\overline{LDAC}$  pin is disabled (bit C3 = 1, Control Configuration 3 register).

Table 29. DAC Configuration

D7	D6	D5	D4	D3	D2	D1	D0
D7	D6	D5	D4	D3	D2	D1	D0
0*	0*	0*	0*	0*	0*	0*	0*

\*Default settings at Power-up.

Bit	Function
D0	Selects the output range of DAC A. 0 = 0 V to $V_{REF}$ . 1 = 0 V to $2V_{REF}$ .
D1	Selects the output range of DAC B. 0 = 0 V to $V_{REF}$ . 1 = 0 V to $2V_{REF}$ .
D2	Selects the output range of DAC C. 0 = 0 V to $V_{REF}$ . 1 = 0 V to $2V_{REF}$ .
D3	Selects the output range of DAC D. 0 = 0 V to $V_{REF}$ . 1 = 0 V to $2V_{REF}$ .
D5:D4	00 MSB write to any DAC register generates LDAC command which updates that DAC only. 01 MSB write to DAC B or DAC D register generates LDAC command which updates DACs A, B or DACs C, D. 10 MSB write to DAC D register generates LDAC command which updates all 4 DACs. 11 LDAC command generated from LDAC register.



D6	Setting this bit allows the external $V_{REF}$ to bypass the reference buffer when supplying DACs A and B.
D7	Setting this bit allows the external $V_{REF}$ to bypass the reference buffer when supplying DACs C and D.

**LDAC CONFIGURATION REGISTER (Write only)**  
[Add. = 1Ch]

This configuration register is an 8-bit write register that is used to control the updating of the quad DAC outputs if the LDAC pin is disabled and Bits 4 and 5 of DAC Configuration register are both set to 1. Also selects  $V_{REF}$  for all four DACs. All of the bits in this register are self clearing i.e. reading back from this register will always give 0's.

**Table 30. LDAC Configuration**

D7	D6	D5	D4	D3	D2	D1	D0
D7	D6	D5	D4	D3	D2	D1	D0
0*	0*	0*	0*	0*	0*	0*	0*

\*Default settings at Power-up.

Bit	Function
D0	Writing a 1 to this bit will generate the LDAC command to update DAC A output only.
D1	Writing a 1 to this bit will generate the LDAC command to update DAC B output only.
D2	Writing a 1 to this bit will generate the LDAC command to update DAC C output only.
D3	Writing a 1 to this bit will generate the LDAC command to update DAC D output only.
D4	Selects either internal or external $V_{REFAB}$ for DACs A and B. 0 = External $V_{REF}$ 1 = Internal $V_{REF}$
D5	Selects either internal or external $V_{REFCD}$ for DACs C and D. 0 = External $V_{REF}$ 1 = Internal $V_{REF}$
D6:D7	RESERVED. Only write 0's.

**INTERRUPT MASK 1 REGISTER (Read/Write) [Add. = 1Dh]**

This mask register is an 8-bit read/write register that can be used to mask out any interrupts that can cause the INTERRUPT pin to go active.

**Table 31. Interrupt Mask 1**

D7	D6	D5	D4	D3	D2	D1	D0
D7	D6	D5	D4	D3	D2	D1	D0
0*	0*	0*	0*	0*	0*	0*	0*

\*Default settings at Power-up.

Bit	Function
D0	0 = Enable internal $T_{HIGH}$ interrupt. 1 = Disable internal $T_{HIGH}$ interrupt.
D1	0 = Enable internal $T_{LOW}$ interrupt. 1 = Disable internal $T_{LOW}$ interrupt.
D2	0 = Enable external $T_{HIGH}$ interrupt. 1 = Disable external $T_{HIGH}$ interrupt.
D3	0 = Enable external $T_{low}$ interrupt. 1 = Disable external $T_{low}$ interrupt.
D4	0 = Enable external temperature fault interrupt. 1 = Disable external temperature fault interrupt.
D5:D7	RESERVED. Only write 0's.

**INTERRUPT MASK 2 REGISTER (Read/Write) [Add. = 1Eh]**

This mask register is an 8-bit read/write register that can be used to mask out any interrupts that can cause the INTERRUPT pin to go active.

**Table 32. Interrupt Mask 2**

D7	D6	D5	D4	D3	D2	D1	D0
D7	D6	D5	D4	D3	D2	D1	D0
0*	0*	0*	0*	0*	0*	0*	0*

\*Default settings at Power-up.

Bit	Function
D0:D3	RESERVED. Only write 0's.
D4	0 = Enable $V_{DD}$ interrupts. 1 = Disable $V_{DD}$ interrupts.
D5:D7	RESERVED. Only write 0's.

**INTERNAL TEMPERATURE OFFSET REGISTER (Read/Write) [Add. = 1Fh]**

This register contains the Offset Value for the Internal Temperature Channel. A 2's complement number can be written to this register which is then 'added' to the measured result before it is stored or compared to limits. In this way a sort of one-point calibration can be done whereby the whole transfer function of the channel can be moved up or down. From a software point of view this may be a very simple method to vary the characteristics of the measurement channel if the thermal characteristics change. As it is an 8-bit register the temperature resolution is 1°C.

**Table 33. Internal Temperature Offset**

D7	D6	D5	D4	D3	D2	D1	D0
D7	D6	D5	D4	D3	D2	D1	D0
0*	0*	0*	0*	0*	0*	0*	0*

\*Default settings at Power-up.

# ADT7316/7317/7318

## EXTERNAL TEMPERATURE OFFSET REGISTER (Read/Write) [Add. = 20h]

This register contains the Offset Value for the Internal Temperature Channel. A 2's complement number can be written to this register which is then 'added' to the measured result before it is stored or compared to limits. In this way a sort of one-point calibration can be done whereby the whole transfer function of the channel can be moved up or down. From a software point of view this may be a very simple method to vary the characteristics of the measurement channel if the thermal characteristics change. As it is an 8-bit register the temperature resolution is 1°C.

**Table 34. External Temperature Offset**

D7	D6	D5	D4	D3	D2	D1	D0
D7	D6	D5	D4	D3	D2	D1	D0
0*	0*	0*	0*	0*	0*	0*	0*

\*Default settings at Power-up.

## INTERNAL ANALOG TEMPERATURE OFFSET REGISTER (Read/Write) [Add. = 21h]

This register contains the Offset Value for the Internal Thermal Voltage output. A 2's complement number can be written to this register which is then 'added' to the measured result before it is converted by DAC A. Varying the value in this register has the affect of varying the temperature span. For example, the output voltage can represent a temperature span of -128°C to +127°C or even 0°C to +127°C. In essence this register changes the position of 0V on the temperature scale. Anything other than -128°C to +127°C will produce an upper deadband on the DAC A output. As it is an 8-bit register the temperature resolution is 1°C. Default value is -40°C.

**Table 35. Internal Analog Temperature Offset**

D7	D6	D5	D4	D3	D2	D1	D0
D7	D6	D5	D4	D3	D2	D1	D0
1*	1*	0*	1*	1*	0*	0*	0*

\*Default settings at Power-up.

## EXTERNAL ANALOG TEMPERATURE OFFSET REGISTER (Read/Write)[Add. = 22h]

This register contains the Offset Value for the External Thermal Voltage output. A 2's complement number can be written to this register which is then 'added' to the measured result before it is converted by DAC B. Varying the value in this register has the affect of varying the temperature span. For example, the output voltage can represent a temperature span of -128°C to +127°C or even 0°C to +127°C. In essence this register changes the position of 0V on the temperature scale. Anything other than -128°C to +127°C will produce an upper deadband on the DAC B output. As it is an 8-bit register the temperature resolution is 1°C. Default value is -40°C.

**Table 36. External Analog Temperature Offset**

D7	D6	D5	D4	D3	D2	D1	D0
D7	D6	D5	D4	D3	D2	D1	D0
1*	1*	0*	1*	1*	0*	0*	0*

\*Default settings at Power-up.

## V<sub>DD</sub> V<sub>HIGH</sub> LIMIT REGISTER (Read/Write) [Add. = 23h]

This limit register is an 8-bit read/write register which stores the V<sub>DD</sub> upper limit that will cause an interrupt and activate the INTERRUPT output (if enabled). For this to happen the measured V<sub>DD</sub> value has to be greater than the value in this register. Default value is 5.5 V.

**Table 37. V<sub>DD</sub> V<sub>HIGH</sub> Limit**

D7	D6	D5	D4	D3	D2	D1	D0
D7	D6	D5	D4	D3	D2	D1	D0
1*	1*	0*	0*	1*	0*	0*	1*

\*Default settings at Power-up.

## V<sub>DD</sub> V<sub>LOW</sub> LIMIT REGISTER (Read/Write) [Add. = 24h]

This limit register is an 8-bit read/write register which stores the V<sub>DD</sub> lower limit that will cause an interrupt and activate the INTERRUPT output (if enabled). For this to happen the measured V<sub>DD</sub> value has to be less than the value in this register. Default value is 2.7 V.

**Table 38. V<sub>DD</sub> V<sub>LOW</sub> Limit**

D7	D6	D5	D4	D3	D2	D1	D0
D7	D6	D5	D4	D3	D2	D1	D0
0*	1*	1*	0*	0*	0*	1*	0*

\*Default settings at Power-up.

## INTERNAL T<sub>HIGH</sub> LIMIT REGISTER (Read/Write) [Add. = 25h]

This limit register is an 8-bit read/write register which stores the 2's complement of the internal temperature upper limit that will cause an interrupt and activate the INTERRUPT output (if enabled). For this to happen the measured Internal Temperature Value has to be greater than the value in this register. As it is an 8-bit register the temperature resolution is 1°C. Default value is +100°C.

**Table 39. Internal T<sub>HIGH</sub> Limit**

D7	D6	D5	D4	D3	D2	D1	D0
D7	D6	D5	D4	D3	D2	D1	D0
0*	1*	1*	0*	0*	1*	0*	0*

\*Default settings at Power-up.

## INTERNAL T<sub>LOW</sub> LIMIT REGISTER (Read/Write) [Add. 26h]

This limit register is an 8-bit read/write register which stores the 2's complement of the internal temperature lower limit that will cause an interrupt and activate the INTERRUPT output (if enabled). For this to happen the measured Internal Temperature Value has to be more

ADT7316/7317/7318

negative than the value in this register. As it is an 8-bit register the temperature resolution is 1°C. Default value is -55°C.

Table 40. Internal T<sub>LOW</sub> Limit

D7	D6	D5	D4	D3	D2	D1	D0
D7	D6	D5	D4	D3	D2	D1	D0
1*	1*	0*	0*	1*	0*	0*	1*

\*Default settings at Power-up.

EXTERNAL T<sub>HIGH</sub> LIMIT REGISTER (Read/Write) [Add. = 27h]

If pins 7 and 8 are configured for the external temperature sensor then this limit register is an 8-bit read/write register which stores the 2's complement of the external temperature upper limit that will cause an interrupt and activate the INTERRUPT output (if enabled). For this to happen the measured External Temperature Value has to be greater than the value in this register. As it is an 8-bit register the temperature resolution is 1°C.

Table 41. External T<sub>HIGH</sub> Limit

D7	D6	D5	D4	D3	D2	D1	D0
D7	D6	D5	D4	D3	D2	D1	D0
1*	1*	1*	1*	1*	1*	1*	1*

\*Default settings at Power-up.

EXTERNAL T<sub>LOW</sub> LIMIT REGISTER (Read/Write) [Add. = 28h]

If pins 7 and 8 are configured for the external temperature sensor then this limit register is an 8-bit read/write register which stores the 2's complement of the external temperature lower limit that will cause an interrupt and activate the INTERRUPT output (if enabled). For this to happen the measured External Temperature Value has to be more negative than the value in this register. As it is an 8-bit register the temperature resolution is 1°C.

Table 42. External T<sub>LOW</sub> Limit

D7	D6	D5	D4	D3	D2	D1	D0
D7	D6	D5	D4	D3	D2	D1	D0

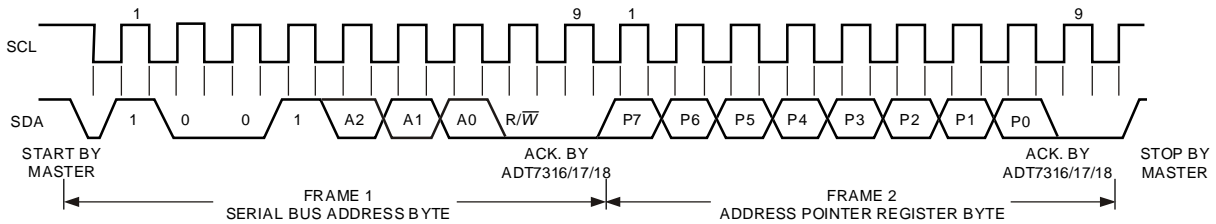


Figure 17. I<sup>2</sup>C - Writing to the Address Pointer Register to select a register for a subsequent Read operation

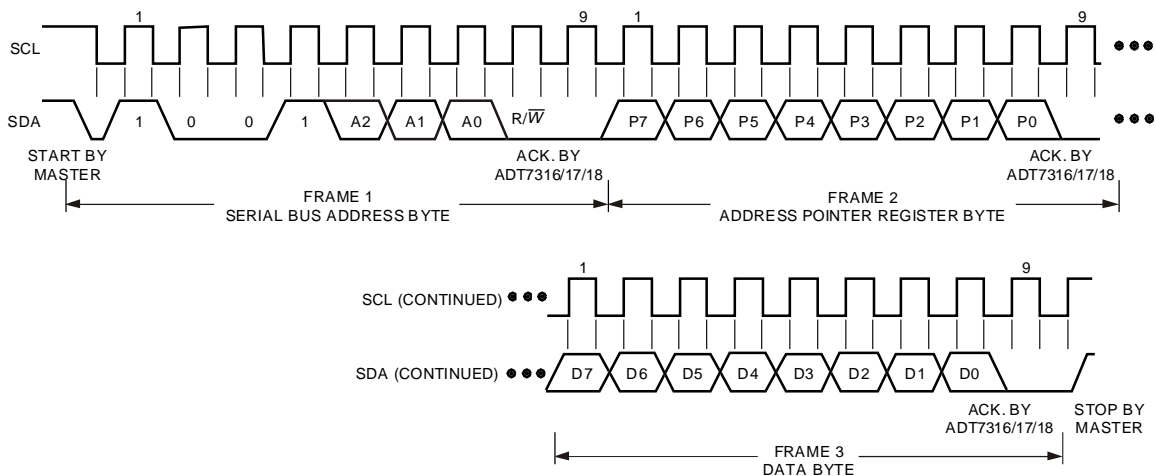


Figure 18. I<sup>2</sup>C - Writing to the Address Pointer Register followed by a single byte of data to the selected register

# ADT7316/7317/7318

0\* 0\* 0\* 0\* 0\* 0\* 0\* 0\*

\*Default settings at Power-up.

### DEVICE ID REGISTER (READ ONLY) [ADD. = 4DH]

This 8-bit read only register indicates which part the device is in the model range. ADT7316 = 01h, ADT7317 = 05h and ADT7318 = 09h.

### MANUFACTURER'S ID REGISTER (Read only) [Add. = 4Eh]

This register contains the manufacturers identification number. ADI's is 41h.

### SILICON REVISION REGISTER (Read only) [Add. = 4Fh]

This register is divided into the four lsbs representing the Stepping and the four msbs representing the Version. The Stepping contains the manufacturers code for minor revisions or steppings to the silicon. The Version is the

ADT7316/17/18 version number. The ADT7316/17/18's version number is 0000b.

### ADT7316/7317/7318 SERIAL INTERFACE

There are two serial interfaces that can be used on this part, I<sup>2</sup>C and SPI. A valid serial communication protocol selects the type of interface.

#### SERIAL INTERFACE SELECTION

The  $\overline{CS}$  line controls the selection between I<sup>2</sup>C and SPI. If  $\overline{CS}$  is held high during a valid I<sup>2</sup>C communication then the serial interface selects the I<sup>2</sup>C mode once the correct serial bus address has been recognised.

To set the interface to SPI mode the  $\overline{CS}$  line must be low during a valid SPI communication. This will cause the interface to select the SPI mode once the correct read or write command has been recognised. As per most SPI standards the  $\overline{CS}$  line must be low during every SPI communication to the ADT7316/17/18 and high all other times.

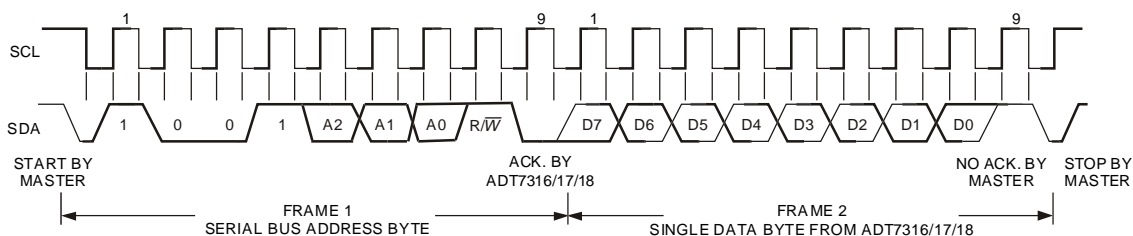


Figure 19. I<sup>2</sup>C - Reading a single byte of data from a selected register

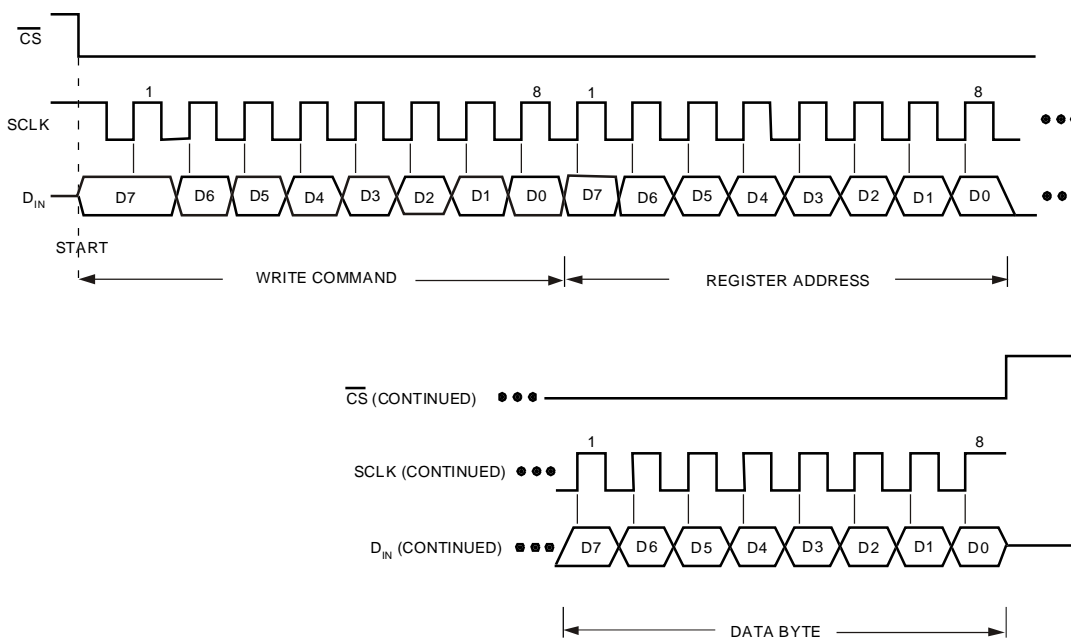


Figure 20. SPI - Writing to the Address Pointer Register followed by a single byte of data to the selected register

**ADT7316/7317/7318**

The following sections describe in detail how to use these interfaces.

**I<sup>2</sup>C SERIAL INTERFACE**

Like all I<sup>2</sup>C-compatible devices, the ADT7316/7317/7318 has an 7-bit serial address. The four MSBs of this address for the ADT7316/7317/7318 are set to 1001. The three LSBs are set by pin 11, ADD. The ADD pin can be configured three ways to give three different address options; low, floating and high. Setting the ADD pin low gives a serial bus address of 1001 000, leaving it floating gives the address 1001 010 and setting it high gives the address 1001 011.

There is a programmable SMBus timeout. When this is enabled the SMBus will timeout after 25 ms of no activity. To enable it, set Bit 6 of Control Configuration 2 register. The power-up default is with the SMBus timeout disabled.

The ADT7316/17/18 supports SMBus Packet Error Checking (PEC) and it's use is optional. It is triggered by supplying the extra clocks for the PEC byte. The PEC is calculated using CRC-8. The Frame Clock Sequence (FCS) conforms to CRC-8 by the polynomial :

$$C(x) = x^8 + x^2 + x^1 + 1$$

Consult SMBus specification for more information.

The serial bus protocol operates as follows:

1. The master initiates data transfer by establishing a START condition, defined as a high to low transition on the serial data line SDA whilst the serial clock line SCL remains high. This indicates that an address/data stream will follow. All slave peripherals connected to the serial bus respond to the START condition, and shift in the next 8 bits, consisting of a 7-bit address (MSB first) plus a R/W bit, which determines the direction of the data transfer, i.e. whether data will be written to or read from the slave device.

The peripheral whose address corresponds to the transmitted address responds by pulling the data line low during the low period before the ninth clock pulse, known as the Acknowledge Bit. All other devices on the bus now remain idle whilst the selected device waits for

data to be read from or written to it. If the R/W bit is a 0 then the master will write to the slave device. If the R/W bit is a 1 the master will read from the slave device.

2. Data is sent over the serial bus in sequences of 9 clock pulses, 8 bits of data followed by an Acknowledge Bit from the receiver of data. Transitions on the data line must occur during the low period of the clock signal and remain stable during the high period, as a low to high transition when the clock is high may be interpreted as a STOP signal.
3. When all data bytes have been read or written, stop conditions are established. In WRITE mode, the master will pull the data line high during the 10th clock pulse to assert a STOP condition. In READ mode, the master device will pull the data line high during the low period before the 9th clock pulse. This is known as No Acknowledge. The master will then take the data line low during the low period before the 10th clock pulse, then high during the 10th clock pulse to assert a STOP condition.

Any number of bytes of data may be transferred over the serial bus in one operation, but it is not possible to mix read and write in one operation, because the type of operation is determined at the beginning and cannot subsequently be changed without starting a new operation.

**WRITING TO THE ADT7316/7317/7318**

Depending on the register being written to, there are two different writes for the ADT7316/7317/7318. It is not possible to do a block write to this part i.e no I<sup>2</sup>C auto-increment.

**Writing to the Address Pointer Register for a subsequent read.**

In order to read data from a particular register, the Address Pointer Register must contain the address of that register. If it does not, the correct address must be written to the Address Pointer Register by performing a single-byte write operation, as shown in Figure 17. The write operation consists of the serial bus address followed by the address pointer byte. No data is written to any of the data registers. A read operation is then performed to read the register.

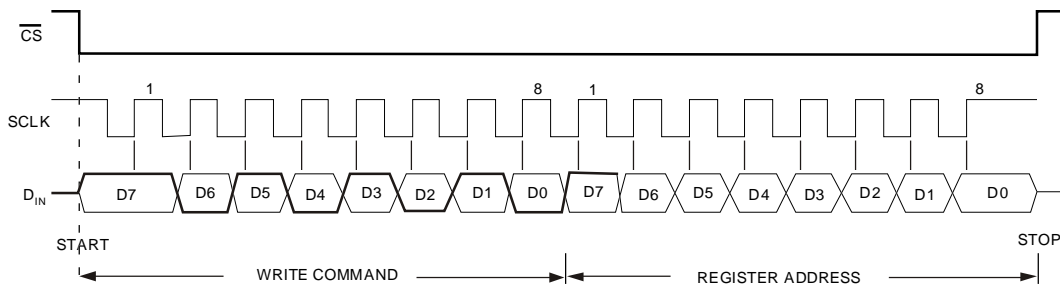


Figure 21. SPI - Writing to the Address Pointer Register to select a register for a subsequent read operation

# ADT7316/7317/7318

## Writing data to a Register.

All registers are 8-bit registers so only one byte of data can be written to each register. Writing a single byte of data to one of these Read/Write registers consists of the serial bus address, the data register address written to the Address Pointer Register, followed by the data byte written to the selected data register. This is illustrated in Figure 18. To write to a different register, another START or repeated START is required. If more than one byte of data is sent in one communication operation, the addressed register will be repeatedly loaded until the last data byte has been sent.

## READING DATA FROM THE ADT7316/7317/7318

Reading data from the ADT7316/7317/7318 is done in a one byte operation. Reading back the contents of a register is shown in Figure 19. The register address previously

having been set up by a single byte write operation to the Address Pointer Register. If you want to read from another register then you will have to write to the Address Pointer Register again to set up the relevant register address. Thus block reads are not possible i.e. no I<sup>2</sup>C auto-increment.

## SPI SERIAL INTERFACE

The SPI serial interface of the ADT7316/7317/7318 consists of four wires,  $\overline{CS}$ , SCLK, DIN and DOUT. The  $\overline{CS}$  is used to select the device when more than one device is connected to the serial clock and data lines. The SCLK is used to clock data in and out of the part. The DIN line is used to write to the registers and the DOUT line is used to read data back from the registers.

The part operates in a slave mode and requires an externally applied serial clock to the SCLK input. The serial

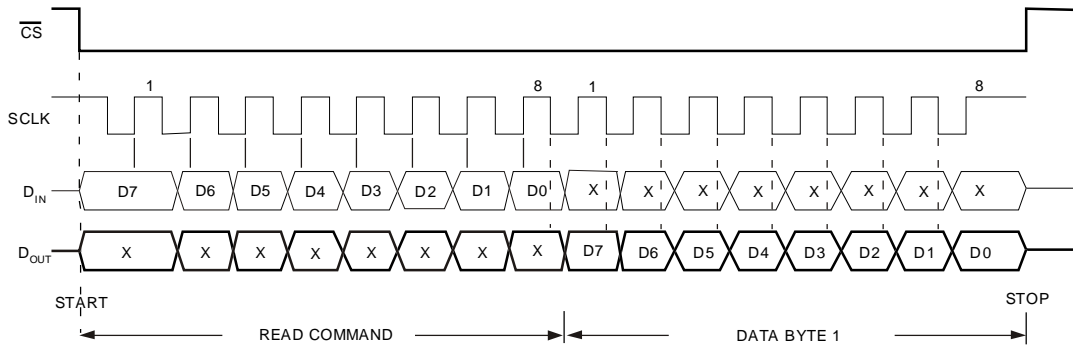


Figure 22. SPI - Reading a single byte of data from a selected register

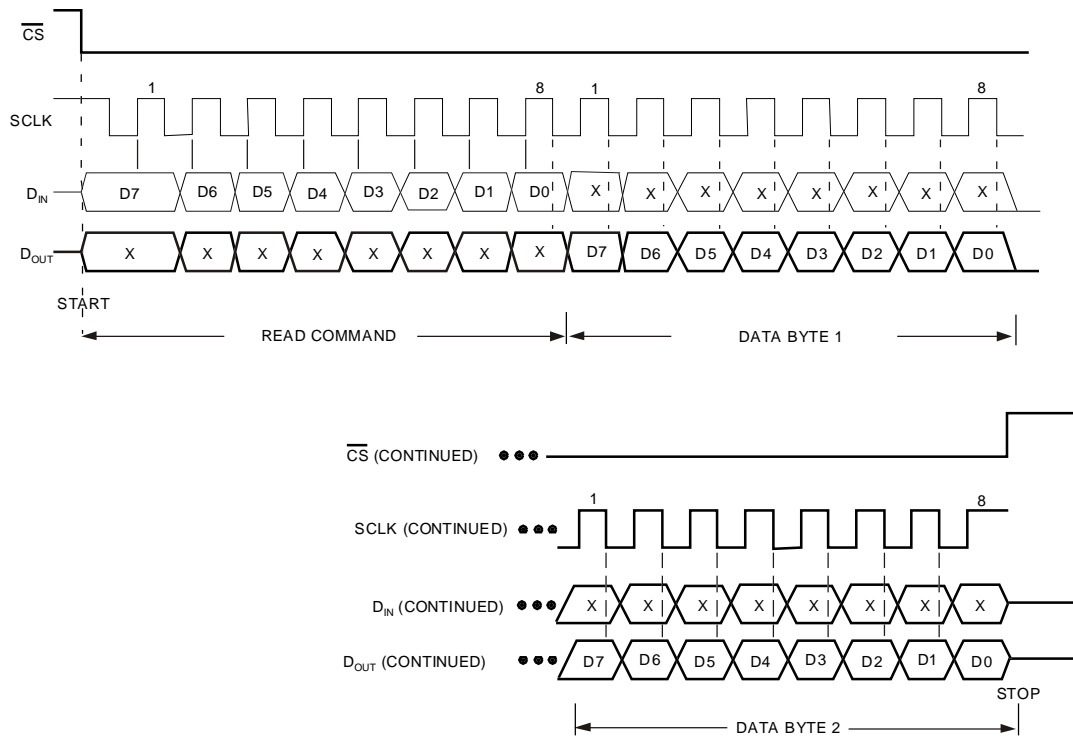


Figure 23. SPI - Reading a two bytes of data from two sequential registers

interface is designed to allow the part to be interfaced to systems that provide a serial clock that is synchronized to the serial data.

There are two types of serial operations, a read and a write. Command words are used to distinguish between a read and a write operation. These command words are given in Table 43. Address auto-increment is possible in SPI mode

**Table 43. SPI COMMAND WORDS**

WRITE	READ
90h (1001 0000)	91h (1001 0001)

#### Write Operation

Figures 20 and 21 show the timing diagrams for a write operation to the ADT7316/7317/7318. Data is clocked into the registers on the rising edge of SCLK. When the  $\overline{CS}$  line is high the DIN and DOUT lines are in three-state mode. Only when the  $\overline{CS}$  goes from a high to a low does the part accept any data on the DIN line. In SPI mode the Address Pointer Register is capable of auto-incrementing to the next register in the register map without having to load the Address Pointer register each time. In Figure 20 the register address portion of the diagram gives the first register that will be written to. Subsequent data bytes will be written into sequential writable registers. Thus after each data byte has been written into a register, the Address Pointer Register auto increments its value to the next available register. The Address Pointer Register will auto-increment from 00h to 3Fh and will loop back to start all over again at 00h when it reaches 3Fh.

#### Read Operation

Figures 22 and 23 show the timing diagrams necessary to accomplish correct read operations. To read back from a register you first have to write to the Address Pointer Register with the address of the register you wish to read from. This operation is shown in Figure 21. Figure 22 shows the procedure for reading back a single byte of data. The read command is first sent to the part during the first 8 clock cycles, during the following 8 clock cycles the data contained in the register selected by the Address Pointer register is outputted onto the DOUT line. Data is outputted onto the DOUT line on the falling edge of SCLK. Figure 23 shows the procedure when reading data from two sequential registers. Multiple data reads are possible in SPI interface mode as the Address Pointer Register is auto-incremental. The Address Pointer Register will auto-increment from 00h to 3Fh and will loop back to start all over again at 00h when it reaches 3Fh.

#### SMBUS/SPI INTERRUPT

The ADT7316/17/18 INTERRUPT output is an interrupt line for devices that want to trade their ability to master for an extra pin. The ADT7316/17/18 is a slave only device and uses the SMBus/SPI INTERRUPT to signal the host device that it wants to talk. The SMBus/SPI INTERRUPT on the ADT7316/17/18 is used as an over/under limit indicator.

The INTERRUPT pin has an open-drain configuration which allows the outputs of several devices to be wired-AND together when the INTERRUPT pin is active low. Use D6 of the Control Configuration 1 Register to set the active polarity of the INTERRUPT output. The power-up default is active low. The INTERRUPT function can be disabled or enabled by setting D5 of Control Configuration 1 Register to a 1 or 0 respectively.

The INTERRUPT output becomes active when either the Internal Temperature Value, the External Temperature Value or the  $V_{DD}$  Value exceed the values in their corresponding  $T_{HIGH}/V_{HIGH}$  or  $T_{LOW}/V_{LOW}$  Registers. The INTERRUPT output goes inactive again when a conversion result has the measured value back within the trip limits.

The INTERRUPT output requires an external pull-up resistor. This can be connected to a voltage different from  $V_{DD}$  provided the maximum voltage rating of the INTERRUPT output pin is not exceeded. The value of the pull-up resistor depends on the application, but should be as large enough to avoid excessive sink currents at the INTERRUPT output, which can heat the chip and affect the temperature reading.

# PRELIMINARY TECHNICAL DATA

## ADT7316/7317/7318

### Outline Dimensions (Dimensions shown in inches and mm ) 16-Lead QSOP Package (RQ-16)

