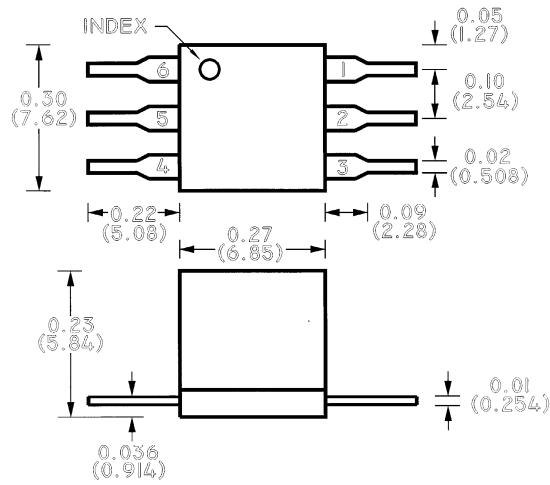
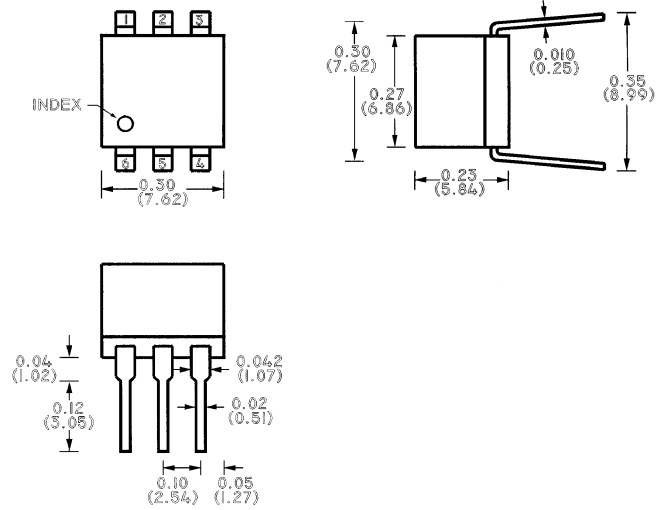


SM-5



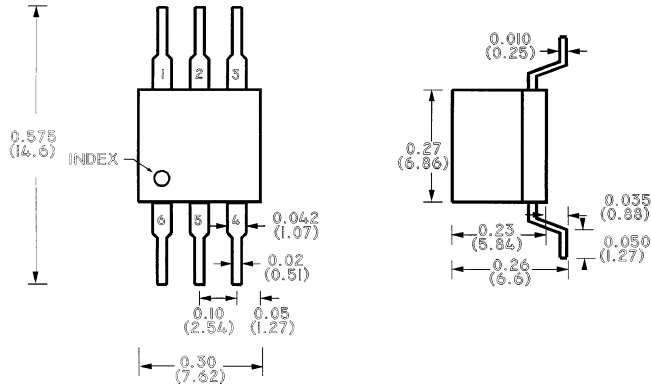
Dimensions in () are in mm.
 Unless Otherwise Noted: .x = ±0.04 (1.00)
 .xx = ±0.02 (0.50)
 .xxx = ±0.010 (0.250)

SM-21



Dimensions in () are in mm.
 Unless Otherwise Noted: .x = ±0.04 (1.00)
 .xx = ±0.02 (0.50)
 .xxx = ±0.010 (0.250)
 Note: Pin numbers do not appear on the unit.
 For reference only. Index mark indicates pin 6.

SM-20



Dimensions in () are in mm.
 Unless Otherwise Noted: .x = ±0.04 (1.00)
 .xx = ±0.02 (0.50)
 .xxx = ±0.010 (0.250)
 Note: Pin numbers do not appear on the unit.
 For reference only. Index mark indicates pin 6.

Specifications Subject to Change Without Notice.