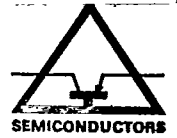


SILICON DIODES

T-0-01
T-27-01



TY-02 1100

(h) Trigger devices

TYPE	P _D T _a =25°C mW	I _F (Peak) mA	V _{ON} @ I _F =40 mA max V	V _T (Trigger Voltage) min/max V	Leakage Current I _R max @ V		I _{Hold} max mA	Case
ESG 456	200	150	1.2	6 to 7	10 μA	5 V	5	TO-106
ESG 457	200	150	1.2	7 8	5 μA	6.5V	5	TO-106
ESG 458	200	150	1.2	8 to 9	10 μA	7 V	5	TO-106

(i) Photo diodes

TYPE	PIV V	I _{rd} @ V _R =12V max μA	I _{rl} @ V _R =12V min μA	C _d typ pF	Case
SI100S	35	30	250	2	TO-18 case isolated
SI400S	35	20	400	2	TO-18 case isolated

DL-11

(j) High voltage diodes

TYPE	PIV Volts min	I _F mA	V _F Volts max	I _R μA max	V _R Volts	Case
SA 283	80	100	1.0	0.025	130	DO-35
SA 285	100	100	1.0	0.025	180	DO-35

(k) Twin Diode

DI

TYPE	I _F mA	V _F Volts max	I _R μA max	V _R Volts	Case
TD 44	100	1.0 @ 30 mA	10	50	TO-72

SILICON TRANSISTORS

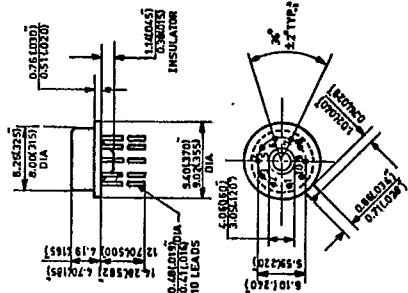
(a) Small signal amplifiers

TYPE NPN PNP	Maximum Ratings				Electrical Characteristics At T _J =25°C								Case
	P _D T _a =25°C W	V _{CB0} V	V _{CE0} V	V _{EB0} V	I _C mA	h _{FE} @ V _{CE} =5V I _C =2 mA min/max	V _{CE (sat)} @ I _C =10 mA I _B =0.5 mA max V	f _T (typ) MHz	I _{CB0} (typ) nA	C _{ob} (typ) pF	N _F @ 1 KHz max dB		
BC107	0.3	50	45	6	200	110/450	0.25	300	15	2.5	10	TO-18	
BC107A	0.3	50	45	6	200	110/220	0.25	300	15	2.5	10	TO-18	
BC107B	0.3	50	45	6	200	200/440	0.25	300	15	2.5	10	TO-18	
BC108	0.3	30	20	5	200	110/800	0.25	300	15	2.5	10	TO-18	
BC108A	0.3	30	20	5	200	110/220	0.25	300	15	2.5	10	TO-18	
BC108B	0.3	30	20	5	200	200/450	0.25	300	15	2.5	10	TO-18	
BC108C	0.3	30	20	5	200	420/800	0.25	300	15	2.5	10	TO-18	
BC109	0.3	30	20	5	200	200/800	0.25	300	15	2.5	4	TO-18	
BC109B	0.3	30	20	5	200	200/450	0.25	300	15	2.5	4	TO-18	
BC109C	0.3	30	20	5	200	420/800	0.25	300	15	2.5	4	TO-18	
BC177	0.3	50	45	5	200	75/260*	0.3	150	20	4	10	TO-18	
BC177A	0.3	50	45	5	200	125/260*	0.3	150	20	4	10	TO-18	
BC177B	0.3	50	45	5	200	240/500*	0.3	150	20	4	10	TO-18	
BC178	0.3	30	25	5	200	75/500*	0.3	150	20	4	10	TO-18	
BC178A	0.3	30	25	5	200	125/260*	0.3	150	20	4	10	TO-18	
BC178B	0.3	30	25	5	200	240/500*	0.3	150	20	4	10	TO-18	
BC179	0.3	25	20	5	200	125/900*	0.3	150	20	4	4	TO-18	
BC179A	0.3	25	20	5	200	125/260*	0.3	150	20	4	4	TO-18	
BC179B	0.3	25	20	5	200	240/500*	0.3	150	20	4	4	TO-18	

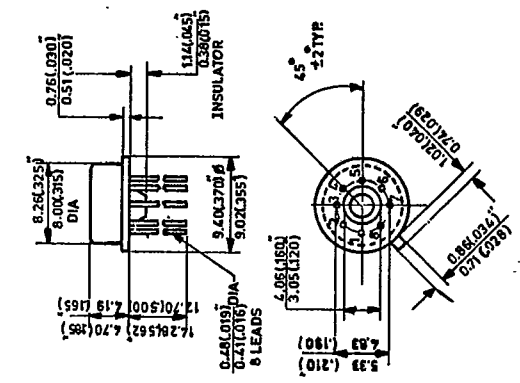
TR 17
TR 4

* h_{FE} at 1 KHz

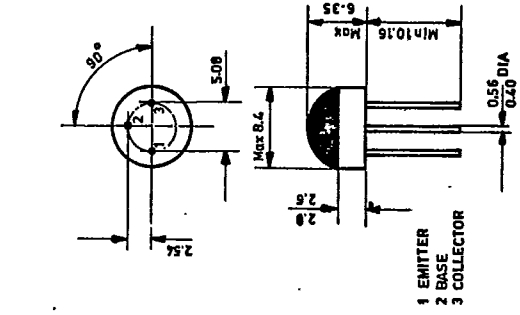
TO-96



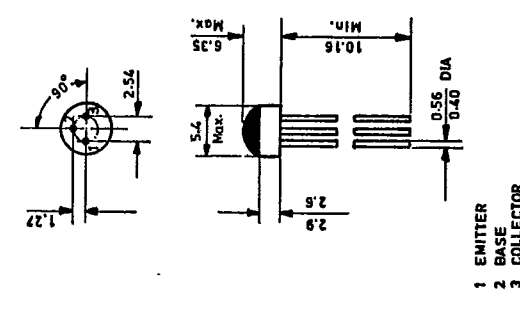
TO-99



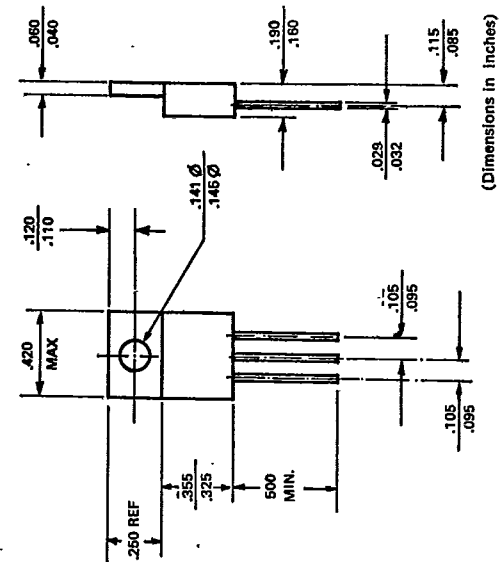
TO-105



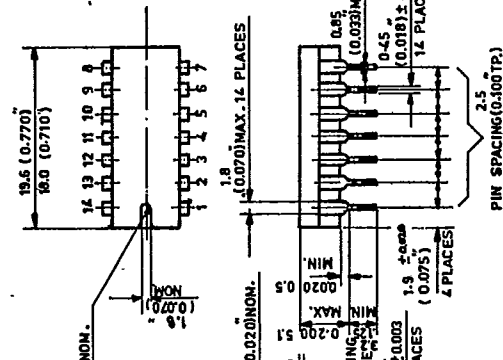
TO-106



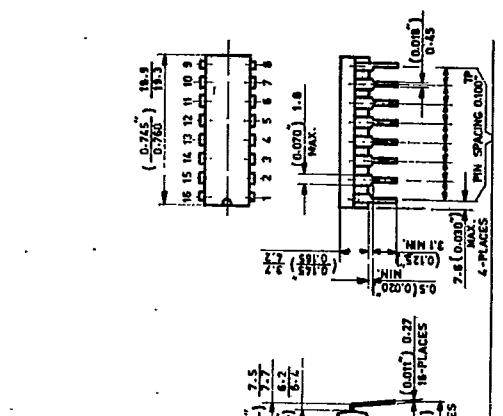
TO-220



14 pin DIP



16 pin DIP



Note : Dimensions in mm unless otherwise specified