

PLEASE CHECK WWW.MOLEX.COM FOR LATEST PART INFORMATION

Part Number: [0534080879](#)
Status: **Active**
Description: 1.00mm (.039") Pitch Plug, Surface Mount, Dual Row, Vertical Stacking, 18.00mm (.709") Stack Height, Lead-free, 80 Circuits

Documents:

[3D Model](#) [Product Specification PS-52584-003 \(PDF\)](#)
[Drawing \(PDF\)](#) [RoHS Certificate of Compliance \(PDF\)](#)

General

Product Family PCB Headers
 Series [53408](#)
 Application Board-to-Board
 Product Name N/A

Physical

Breakaway No
 Circuits (Loaded) 80
 Circuits (maximum) 80
 Color - Resin Natural
 Durability (mating cycles max) 50
 First Mate / Last Break No
 Glow-Wire Compliant No
 Guide to Mating Part No
 Keying to Mating Part None
 Lock to Mating Part None
 Mated Height (in) 0.709 In
 Mated Height (mm) 18.00 mm
 Material - Metal Phosphor Bronze
 Material - Plating Mating Gold
 Material - Plating Termination Tin
 Material - Resin High Temperature Thermoplastic
 Number of Rows 2
 Orientation Vertical
 PCB Locator Yes
 PCB Retention Yes
 PCB Thickness Recommended (in) 0.040 In
 PCB Thickness Recommended (mm) 1.00 mm
 Packaging Type Tube
 Pitch - Mating Interface (in) 0.039 In
 Pitch - Mating Interface (mm) 1.00 mm
 Plating min: Mating (µin) 10
 Plating min: Mating (µm) 0.25
 Plating min: Termination (µin) 40
 Plating min: Termination (µm) 1
 Polarized to PCB No
 Shrouded Fully
 Stackable No
 Temperature Range - Operating -55°C to +85°C
 Termination Interface: Style Surface Mount

Electrical

Current - Maximum per Contact 0.5A
 Voltage - Maximum 100V

Material Info

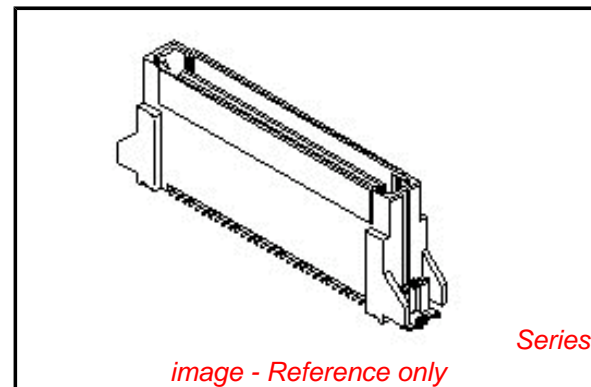


image - Reference only

EU RoHS

**ELV and RoHS
 Compliant**
**REACH SVHC
 Contains SVHC: No**
**Halogen-Free
 Status**

China RoHS



**Need more information on product
 environmental compliance?**

Email productcompliance@molex.com
 For a multiple part number RoHS Certificate of
 Compliance, [click here](#)

Please visit the [Contact Us](#) section for any
 non-product compliance questions.

Search Parts in this Series

[53408Series](#)

Mates With

[52584 PCB Receptacle](#)

Reference - Drawing Numbers

Product Specification
Sales Drawing

PS-52584-003, RPS-500017-002, RPS-52584-010
SD-53408-007, SD-53408-008

This document was generated on 04/19/2010

PLEASE CHECK WWW.MOLEX.COM FOR LATEST PART INFORMATION

DWG. NO. SD-53408-007

E

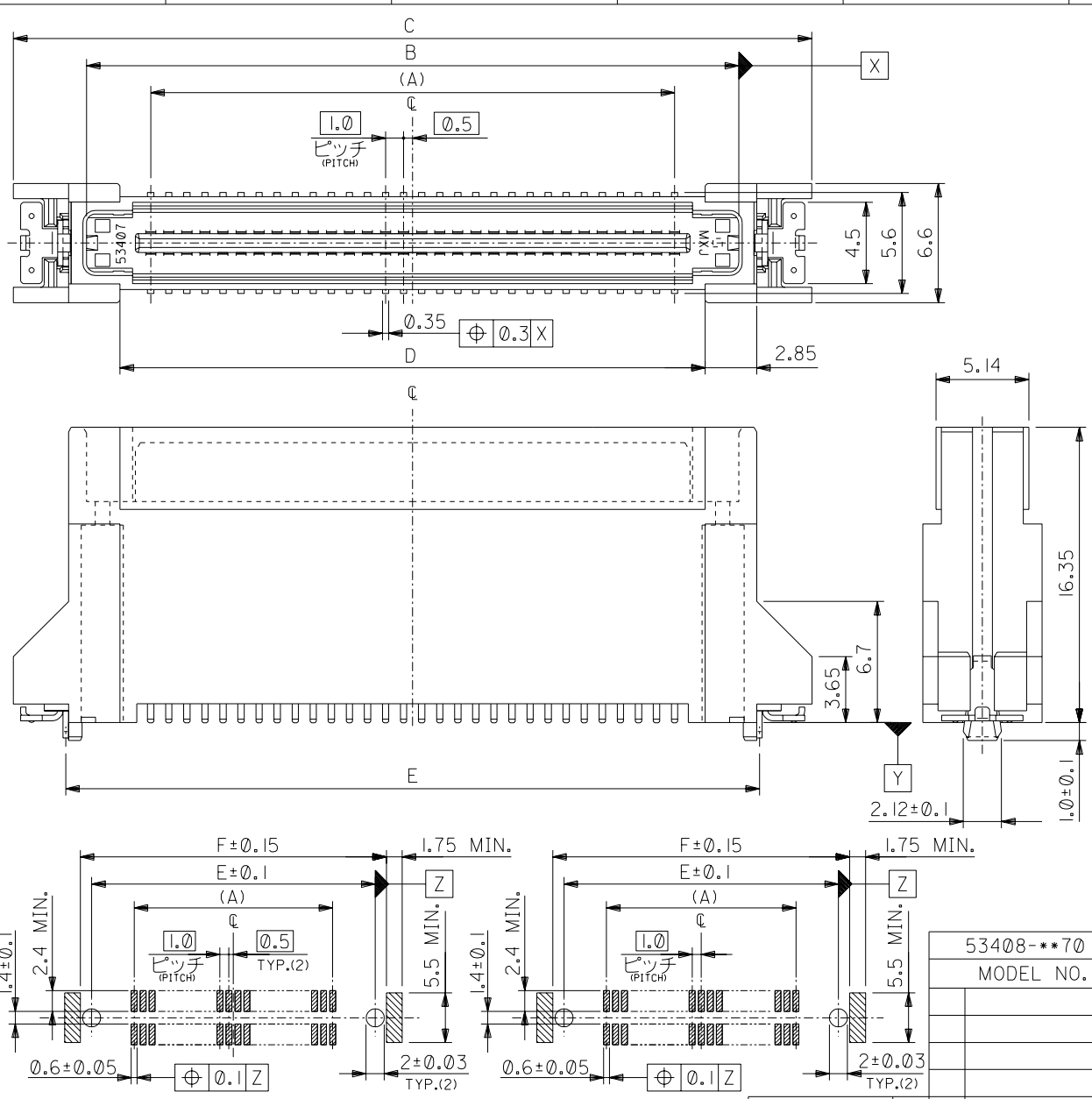
D

C

B

A

DIMENSIONS IN METRIC DO NOT SCALE DRAWING



推奨基板寸法 (20, 24, 60, 80, 100, 120, 140極)
RECOMMENDED PCB PATTERN LAYOUT (20, 24, 60, 80, 100, 120, 140CKTS.)

推奨基板寸法 (50極)
RECOMMENDED PCB PATTERN LAYOUT (50 CKTS.)

8. 本製品は 53408-***0 の鉛フリー品である。
THIS PRODUCT IS LEAD FREE OF 53408-***0

| | |
|-------------------------|-------|
| 角度 ANGLE | ±3° |
| 30 以上 OVER | +0.3 |
| 10 以上 OVER 30 未満 UNDER | +0.25 |
| 10 未満 UNDER | +0.2 |
| 一般公差 GENERAL TOLERANCES | |

| | | | | | | |
|-----------------|----------|---|---|---|---|-----|
| 53408-***70 | | | | | | |
| MODEL NO. | F | E | D | C | B | (A) |
| MATERIAL | | | | | | |
| FINISH | | | | | | |
| WIRE RANGE | | | | | | |
| INS. RANGE | | | | | | |
| DATE | 04/03/11 | | | | | |
| DR. M.SASAO | | | | | | |
| CHK. K.TOJO | | | | | | |
| REVISION RECORD | | | | | | |
| SCALE | | | | | | |

- 注) NOTES
- 材質 MATERIAL
ハウジング: ガラス入り LCP、白色、UL94V-0
HOUSING: F.LCP, WHITE, UL94V-0
ターミナル: 燐青銅 (t=0.2)
TERMINAL: PHOSPHOR BRONZE
金属ペグ: 燐青銅
METAL PEG: PHOSPHOR BRONZE
 - メッキ仕様 PLATING
ターミナル 接点部: 金メッキ 0.25 MICROMETER MIN.
TERMINAL CONTACT AREA: GOLD 0.25 MICROMETER MIN.
半田付け部: 錫メッキ 1.0 MICROMETER MIN.
SOLDER TAIL AREA: TIN 1.0 MICROMETER MIN.
下地メッキ: ニッケルメッキ 2.0 MICROMETER MIN.
UNDER-PLATING: NICKEL 2.0 MICROMETER MIN.
金属ペグ 半田付け部: 錫メッキ 1.0 MICROMETER MIN.
METAL PEG SOLDER TAIL AREA: TIN 1.0 MICROMETER MIN.
下地メッキ: ニッケルメッキ 1.0 MICROMETER MIN.
UNDER-PLATING: NICKEL 1.0 MICROMETER MIN.
 - 推奨基板厚 RECOMMENDED PCB THICKNESS
1.0±0.1mm
 - テールのバラツキ寸法 TAIL COPLANARITY
テールは、Y面を基準とし、上へ 0.02 下へ 0.15 の範囲に
めし、且つテール平坦度は 0.15 とする。
TAILS TO BE WITHIN 0.02 UPWARD AND 0.15 DOWNWARD FROM Y-DATUM PLANE,
AND TAIL COPLANARITY TO BE 0.15.
 - ロックは、20、24、50極に設置する。
LOCK TO BE ADDED TO 20, 24 AND 50 CKTS.
 - 梱包 PACKAGING
本製品はスティック梱包とし、梱包後の MATERIAL NO. は
53408-***79 とする。
THIS PRODUCTS TO BE PACKED IN TUBE. MATERIAL NO.: 53408-***79

| | | | | | | | |
|-----------|------|------|------|-------|----|------------|-----------------|
| 80.9 | 78.4 | 72.4 | 84.2 | 76.02 | 69 | 53408-1470 | 140 |
| 70.9 | 68.4 | 62.4 | 74.2 | 66.02 | 59 | 53408-1270 | 120 |
| 60.9 | 58.4 | 52.4 | 64.2 | 56.02 | 49 | 53408-1070 | 100 |
| 50.9 | 48.4 | 42.4 | 54.2 | 46.02 | 39 | 53408-0870 | 80 |
| 40.9 | 38.4 | 32.4 | 44.2 | 36.02 | 29 | 53408-0670 | 60 |
| 35.9 | 33.4 | 27.4 | 39.2 | 31.02 | 24 | 53408-0570 | 50 |
| 22.9 | 20.4 | 14.4 | 26.2 | 18.02 | 11 | 53408-2470 | 24 |
| 20.9 | 18.4 | 12.4 | 24.2 | 16.02 | 9 | 53408-0270 | 20 |
| MODEL NO. | F | E | D | C | B | (A) | MATERIAL NO. |
| | | | | | | | 極数 NO. OF CKTS. |

材料 MATERIAL 注参照 SEE NOTES

仕上げ FINISH 注参照 SEE NOTES

適用電線範囲 WIRE RANGE —#—

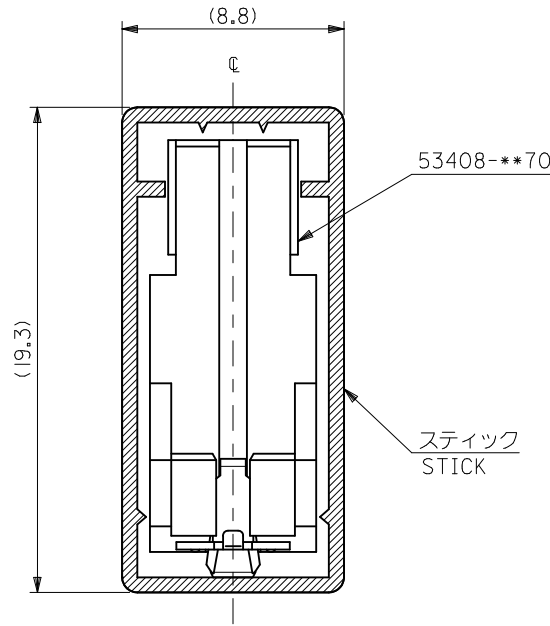
被覆外径 INS. RANGE —#—

DRAWN BY 04/03/11 M.NINOMIYA
CHK'D BY 04/03/11 K.TOJO

REVISE ONLY ON CAD SYSTEM

TITLE 名称
1.0 B-T0-B
S/T PLUG HS'G ASS'Y
-LEAD FREE-

DWG. NO. SD-53408-007 REV 0



注記
NOTES

1. スティック両端はキャップ止め。
BOTH ENDS WITH CAPS.
2. 全 長 : 600±2
TOTAL LENGTH
3. 肉 厚 : 0.6±0.2
THICKNESS
4. 本製品は 53408-***9 の鉛フリー品である。
THIS PRODUCT IS LEAD FREE OF 53408-***9.

| | | |
|----|------------|-----|
| 6 | 53408-1479 | 140 |
| 7 | 53408-1279 | 120 |
| 8 | 53408-1079 | 100 |
| 10 | 53408-0879 | 80 |
| 13 | 53408-0679 | 60 |
| 14 | 53408-0579 | 50 |
| 21 | 53408-2479 | 24 |

MATERIAL

スティック : ポリ塩化ビニル
STICK : P.V.C.

REVISED
EC NO: J2010-1426
DRWRTS:RUOKA 2010/01/25
CHKD:THARUYAMA 2010/01/27
APPR:HIRATA 2010/01/27

DESCRIPTION

| | |
|--|-------|
| GENERAL TOLERANCES (UNLESS SPECIFIED) | |
| 10 UNDER | ±--- |
| 10 OVER 30 UNDER | ±--- |
| 30 OVER | ±--- |
| ANGULAR | ±---° |
| DRAFT WHERE APPLICABLE MUST REMAIN WITHIN DIMENSIONS | |

| | | | | |
|---|-----------|-------------------|---|-----------------|
| 53408-**79 | MODEL NO. | 梱包数 QUANTITY | MATERIAL No. | 種数 NO. OF CKTS. |
| DIMENSION STYLE MM ONLY | | SCALE --- | DESIGN UNITS METRIC | |
| DRAWN BY MNINOMIYA | | DATE '04/03/11 | TITLE 53408-**70 STICK PACKAGING -LEAD FREE- | |
| CHECKED BY KTOJO | | DATE '04/03/11 | MOLEX INCORPORATED | |
| APPROVED BY MSASAO | | DATE '04/03/11 | | |
| MATERIAL NO. | | DOCUMENT NO. | SHEET NO. | |
| SEE TABLE | | SD-53408-008 | | 1 OF 1 |
| THIS DRAWING CONTAINS INFORMATION THAT IS PROPRIETARY TO MOLEX INCORPORATED AND SHOULD NOT BE USED WITHOUT WRITTEN PERMISSION | | | | |