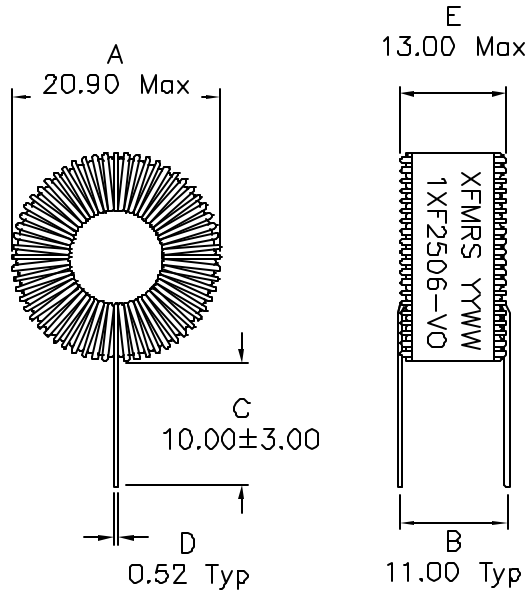


1. Mechanical Dimensions:

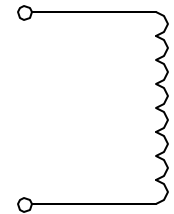


Notes:

1. Solderability: Leads shall meet MIL-STD-202, Method 208D for solderability.
2. Flammability: UL94V-0
3. ASTM oxygen Index: > 28%
4. Insulation System: Class F 155°C. UL file E151556
5. Operating Temperature Range: All listed parameters are to be within tolerance from -40°C to +85°C
6. Storage Temperature Range: -55°C to +125°C
7. Aqueous wash compatible
8. SMD Lead Coplanarity: ±0.004"(0.102mm)
9. Moisture Sensitivity: Level 3
10. Electrical and mechanical specifications 100% tested
11. RoHS Compliant Component

DOC. REV. A/1

2. Schematic:



3. Electrical Specifications:

Inductance: 250.90uH ± 20% @ 100KHz, 250mV
 DC Res.: 0.2210 Ohms Max
 DC Current: 1.9A (Based on 30°C Temp. Rise)
 Isat: 2.2A (Based on 30% drop in OCL)
 ETop: 47.8 V-uS
 Energy Storage: 421uJ
 Q: tbd Min @ 100KHz 250mV

PROPRIETARY Document is the property of XFMRS Group & is not allowed to be duplicated without authorization.

XFMRS Inc www.XFMRS.com	Title: Toroid Inductor		
UNLESS OTHERWISE SPECIFIED TOLERANCES: .xxx ±0.25 Dimensions in mm	P/N: 1XF2506-VO	REV. A	
	DWN.	罗振江	Dec-15-04
SHEET 1 OF 1	CHK.	廖玉坤	Dec-15-04
	APP.	J Ng	Dec-15-04