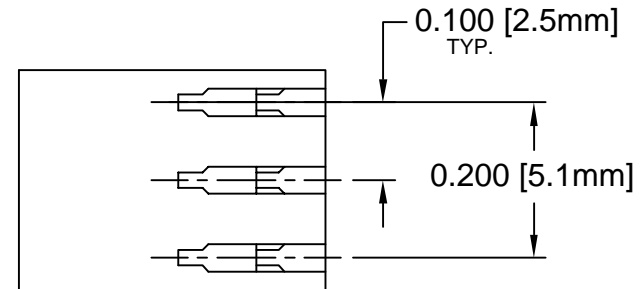
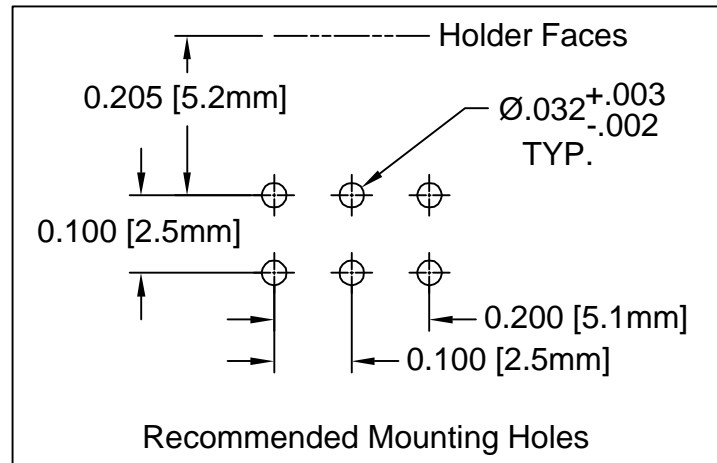
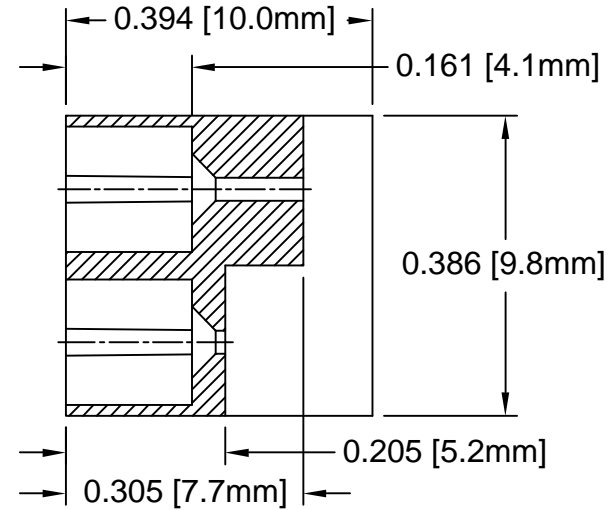
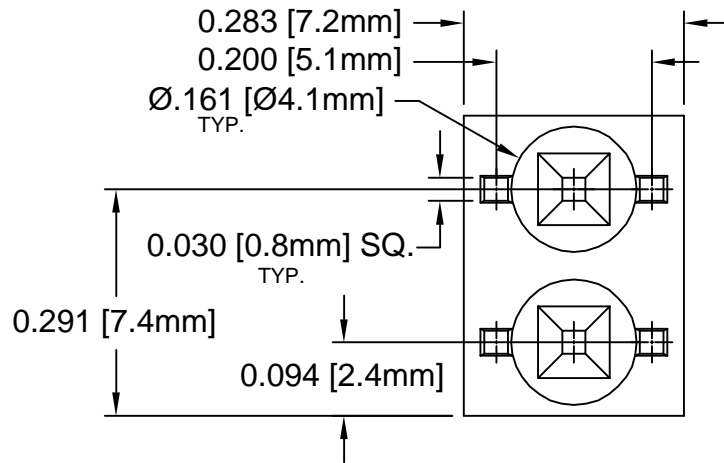


REV.	DESCRIPTION	DATE	APPROVED
C	Engineering Update w/o Changes	02/27/04	M. C.



- MATERIAL: NYLON 6/6, 94V-0, BLACK. BIVAR MATERIAL CODE 22-BK.  
RTP POLYAMIDE NYLON 6/6, 0200 FR, BLACK OR MODIFIED PLASTICS MN6/6-SE BK.
- GENERAL SPECIFICATIONS: BIVAR MOLDED COMPONENT SPECIFICATION BV00-E101.

STANDARD TOLERANCE (UNLESS OTHERWISE SPECIFIED)		<b>BIVAR®</b>									
DECIMALS	ANGULAR	4 THOMAS, IRVINE, CA. 92618									
.X ± .1	X° ± 1°	TEL: (949) 951-8808 FAX: (949) 951-3974									
.XX ± .01		<b>TITLE: BI-LEVEL T1 (3mm) TRI LEAD LED HOLDER</b>									
.XXX ± .005		<table border="1"> <tr> <td>DESIGNED: <b>Shane Irving</b></td> <td>DATE: <b>02/16/99</b></td> <td><b>PART NO:</b> H-280C</td> <td>REVISION: <b>C</b></td> </tr> <tr> <td>CHECKED: <b>M. Chen</b></td> <td>DATE: <b>03/06/03</b></td> <td><b>CAGE CODE :</b> 32559</td> <td><b>SHEET # 1 OF 1</b></td> </tr> </table>		DESIGNED: <b>Shane Irving</b>	DATE: <b>02/16/99</b>	<b>PART NO:</b> H-280C	REVISION: <b>C</b>	CHECKED: <b>M. Chen</b>	DATE: <b>03/06/03</b>	<b>CAGE CODE :</b> 32559	<b>SHEET # 1 OF 1</b>
DESIGNED: <b>Shane Irving</b>	DATE: <b>02/16/99</b>	<b>PART NO:</b> H-280C	REVISION: <b>C</b>								
CHECKED: <b>M. Chen</b>	DATE: <b>03/06/03</b>	<b>CAGE CODE :</b> 32559	<b>SHEET # 1 OF 1</b>								
CAD GENERATED DOCUMENT, DO NOT MEASURE DRAWING.											