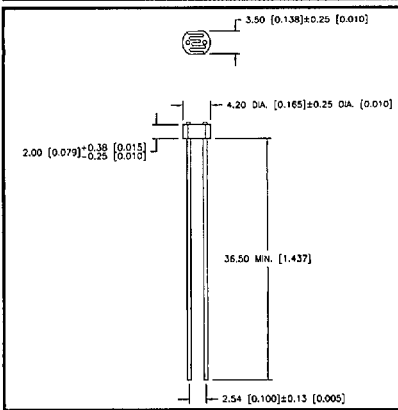
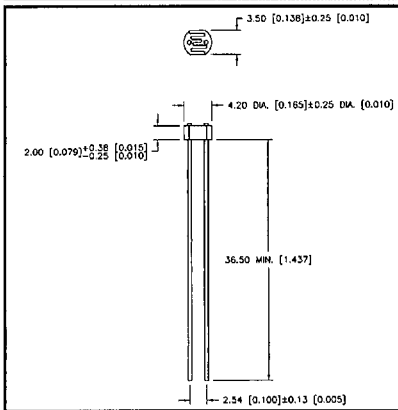


OED-PCC-9P5-2



| Package Style | AC (V) Max | Measurement (Volts) | λ P (nm) Response | Resistance K θ @ 10 Lux Min Max | Dark Resistance M θ Min After 2 sec. | t-opr (°C) |
|---------------|------------|---------------------|---------------------------|--|---|------------|
| T4.2 Ceramic | 100 | 10 | 550 | 11 27 | 0.1 | -25 ~ + 75 |

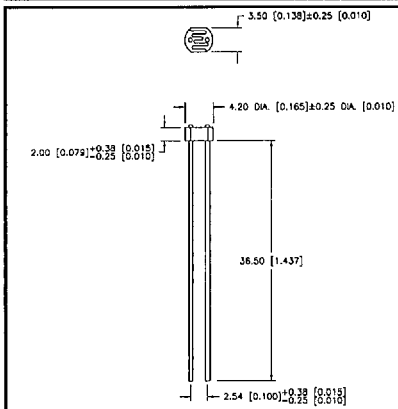
OED-PCC-9P5-3



| Package Style | AC (V) Max | Measurement (Volts) | λ P (nm) Response | Resistance K θ @ 10 Lux Min Max | Dark Resistance M θ Min After 2 sec. | t-opr (°C) |
|---------------|------------|---------------------|---------------------------|--|---|------------|
| T4.2 Ceramic | 100 | 10 | 550 | 3 11 | 0.1 | -25 ~ + 75 |

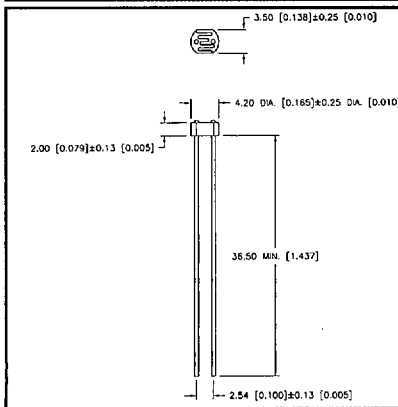
www.DataSheet4U.com

OED-PCC-9P5-1L



| Package Style | AC (V) Max | Measurement (Volts) | λ P (nm) Response | Resistance K θ @ 10 Lux Min Max | Dark Resistance M θ Min After 2 sec. | t-opr (°C) |
|---------------|------------|---------------------|---------------------------|--|---|------------|
| T4.2 Ceramic | 100 | 10 | 550 | 25 60 | 2.0 | -25 ~ + 75 |

OED-PCC-9P5-1H



| Package Style | AC (V) Max | Measurement (Volts) | λ P (nm) Response | Resistance K θ @ 10 Lux Min Max | Dark Resistance M θ Min After 2 sec. | t-opr (°C) |
|---------------|------------|---------------------|---------------------------|--|---|------------|
| T4.2 Ceramic | 100 | 10 | 550 | 50 94 | 3.0 | -25 ~ + 75 |

www.DataSheet4U.com