



2SC4672

NPN EPITAXIAL SILICON TRANSISTOR

LOW FREQUENCY TRANSISTOR (50V,2A)

■ DESCRIPTION

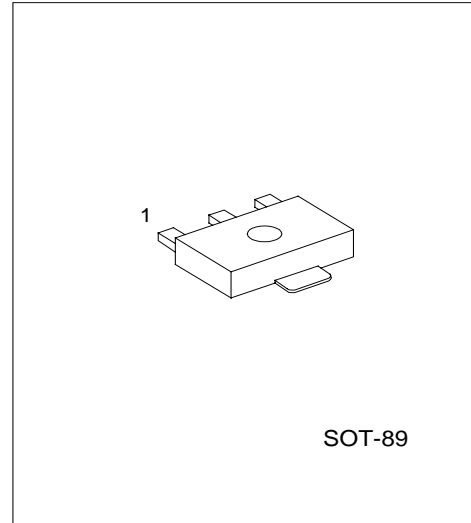
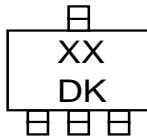
The UTC 2SC4672 is a low frequency transistor. Excellent DC current gain characteristics.

■ FEATURES

*Low saturation voltage, typically $V_{CE(sat)}=0.1V$ at $I_C / I_B=1A / 50mA$

*Excellent DC current gain characteristics

■ MARKING



SOT-89

*Pb-free plating product number: 2SC4672L

■ PIN CONFIGURATION

PIN NO.	PIN NAME
1	Emitter
2	Collector
3	Base

www.DataSheet4U.com

■ ORDERING INFORMATION

Order Number		Package	Packing
Normal	Lead free		
2SC4672-AB3-R	2SC4672L-AB3-R	SOT-89	Tape Reel

■ ABSOLUTE MAXIMUM RATINGS (Ta = 25°C)

PARAMETER	SYMBOL	RATINGS	UNIT
Collector to Base Voltage	V _{CBO}	60	V
Collector to Emitter Voltage	V _{CEO}	50	V
Emitter to Base Voltage	V _{EBO}	6	V
Collector Current	I _C	2	A
Collector Current (Pulse) (Note 1)	I _{CP}	5	A
Collector Dissipation	P _C	500	mW
Junction Temperature	T _J	+150	°C
Storage Temperature	T _{STG}	-40 ~ +150	°C

Note1: Single pulse, P_W=10ms

■ ELECTRICAL CHARACTERISTICS (Ta= 25°C, unless otherwise specified)

PARAMETER	SYMBOL	TEST CONDITIONS	MIN	TYP	MAX	UNIT
Collector-Base Breakdown Voltage	BV _{CBO}	I _C =50μA	60			V
Collector-Emitter Breakdown Voltage	BV _{CEO}	I _C =1mA	50			V
Emitter-Base Breakdown Voltage	BV _{EBO}	I _E =50μA	6			V
Collector Cutoff Current	I _{CBO}	V _{CB} =60V			0.1	μA
Emitter Cutoff Current	I _{EBO}	V _{EB} =5V			0.1	μA
Collector-Emitter Saturation Voltage	V _{CE(sat)}	I _C /I _B =1A/50mA (Note1)		0.1	0.35	V
DC Current Transfer Ratio	h _{FE}	V _{CE} =2V, I _C =0.5A (Note1)	120		400	
Transition Frequency	f _T	V _{CE} =2V, I _E =-0.5A, f=100MHz		210		MHz
Output Capacitance	Cob	V _{CB} =10V, I _E =0A, f=1MHz		25		pF

Note 1: Measured using pulse current.

■ CLASSIFICATION OF hFE

RANK	A	B
RANGE	120 ~ 240	200 ~ 400

UTC assumes no responsibility for equipment failures that result from using products at values that exceed, even momentarily, rated values (such as maximum ratings, operating condition ranges, or other parameters) listed in products specifications of any and all UTC products described or contained herein. UTC products are not designed for use in life support appliances, devices or systems where malfunction of these products can be reasonably expected to result in personal injury. Reproduction in whole or in part is prohibited without the prior written consent of the copyright owner. The information presented in this document does not form part of any quotation or contract, is believed to be accurate and reliable and may be changed without notice.