

PLEASE CHECK WWW.MOLEX.COM FOR LATEST PART INFORMATION

Part Number: **0190170028**
Status: **Active**
Description: InsulKrimp™ Quick Disconnect, Female, for 14-16 (2.00-1.30) Wire, Box, Tab 2.79mm (.110") x 0.81mm (.032")

Documents:

[Drawing \(PDF\)](#) [RoHS Certificate of Compliance \(PDF\)](#)
[Product Specification PS-19902-008 \(PDF\)](#)

Agency Certification

CSA LR18689
 UL E79133

General

Product Family Quick Disconnects
 Series 19017
 Crimp Quality Equipment Yes
 MolexKits Yes
 Product Name InsulKrimp™
 Type Quick Disconnect

Physical

Barrel Type Closed
 Flammability 94V-2
 Gender Female
 Glow-Wire Compliant No
 Insulation PVC
 Lock to Mating Part None
 Material - Metal Brass
 Orientation Straight
 Packaging Type Bag
 Polarized to Mating Part No
 Tab Thickness 0.81mm (.032")
 Tab Width 2.79mm (.110")
 Temperature Range - Operating -50°C to +105°C
 Wire Insulation Diameter 3.70mm (.145") max.
 Wire Size AWG 14, 16
 Wire Size mm² 1.30 - 2.00

Electrical

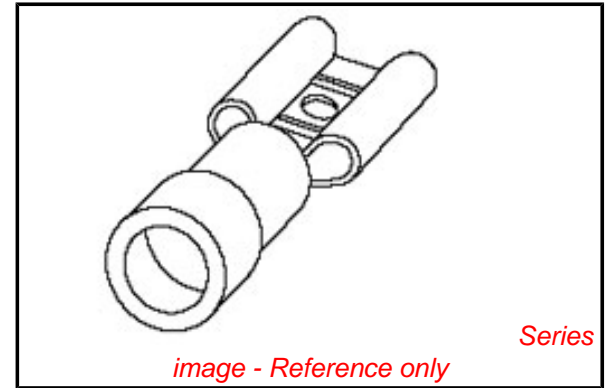
Voltage - Maximum 600V

Material Info

Old Part Number BB-2135

Reference - Drawing Numbers

Product Specification PS-19902-008
 Sales Drawing CD2903



EU RoHS

ELV and RoHS Compliant
REACH SVHC
 Not Reviewed
Halogen-Free Status
Not Reviewed

China RoHS



Need more information on product environmental compliance?

Email productcompliance@molex.com
 For a multiple part number RoHS Certificate of Compliance, [click here](#)

Please visit the [Contact Us](#) section for any non-product compliance questions.

Search Parts in this Series

19017Series

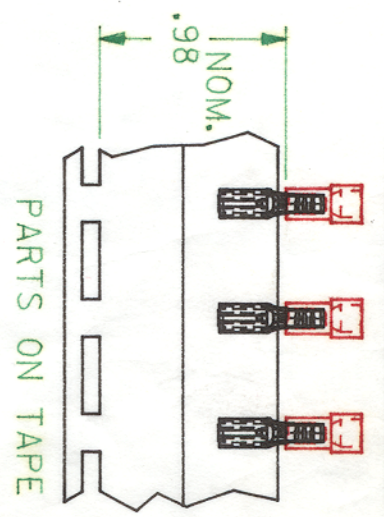
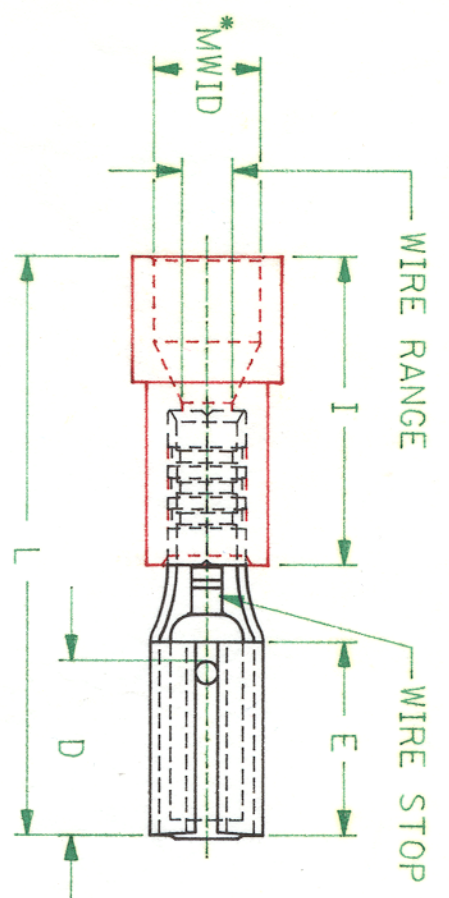
Application Tooling | FAQ

Tooling specifications and manuals are found by selecting the products below. Crimp Height Specifications are then contained in the Application Tooling Specification document.

Global

Description	Product #
Hand Crimp Tool	0640010200
Hand Crimp Tool	0640012000
Crimp Head for the AT-200™ Pneumatic Hand Tool	0640050200
Crimp Head for the AT-200™ Pneumatic Hand Tool	0640052000

DRWG. NO. CD-2903



MATERIAL: BRASS
FINISH: ELECTRO-TIN PLATING
INSULATION: PVC

*MWID=MAXIMUM WIRE INSULATION DIAMETER

PART NUMBERS ARE FOR LOOSE PIECE TO ORDER PARTS ON TAPE ADD A "T" TO END OF PART NUMBER

PART NUMBER	INS. COLOR	WIRE RANGE AWG	WIRE RANGE MM ²	FITS MALE TAB SIZE	STOCK THICK.	"L" MAX.	"T" MAX.	"W" MAX.	"D" ±.01	"H" ±.01	"E" NOM.	MWID
AA-2134	RED	22-18	0.25-1.3	.110X.032	.012	.78	.41	.16	.210	.08	.25	.13
BB-2135	BLUE	16-14	1.0-2.6	.110X.032	.012	.78	.41	.16	.210	.08	.25	.14
AA-2131	RED	22-18	0.25-1.3	.110X.020	.012	.78	.41	.16	.210	.07	.25	.13
BB-2132	BLUE	16-14	1.0-2.6	.110X.020	.012	.78	.41	.16	.210	.07	.25	.14

REVISIONS ONLY ON CAD SYSTEM

INSULKRIMP
QUICK DISCONNECTS

CUSTOMER DRAWING

DRWG. BY RCM
CHK'D. BY
APP'D. BY
SCALE NO:NE

ETC INC. PINELLAS PARK, FLA. 34665 U.S.A.

THIS DRAWING CONTAINS INFORMATION THAT IS PROPRIETARY TO MOLEX-ETC INC. AND SHOULD NOT BE USED WITHOUT WRITTEN PERMISSION.

SHEET NO. DATE 11/27/90

CD-2903 DIV. SIZE A