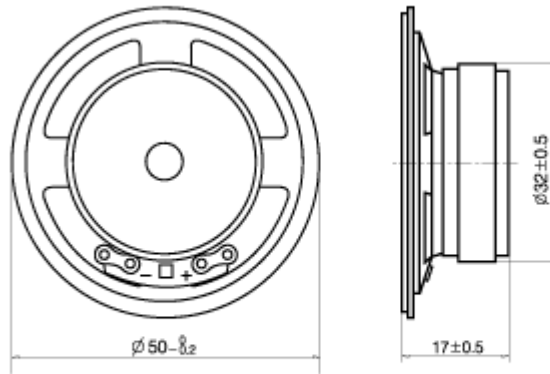




Type	BLS50-1B
Rated Impedance( $\Omega$ )	25 $\pm$ 15%
Rated(Max.) Power(W)	0.2(0.4)
Resonant Frequency(Hz)	550 $\pm$ 20%
Rated Freq.Range(Hz)	f <sub>0</sub> ~4500
Sound Pressure Level(dB)	84 $\pm$ 2
Magnet(g)	16.6
Operating Temperature( $^{\circ}$ C)	-10~+40



Unit:mm

