

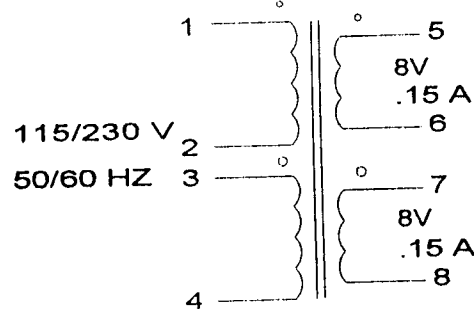
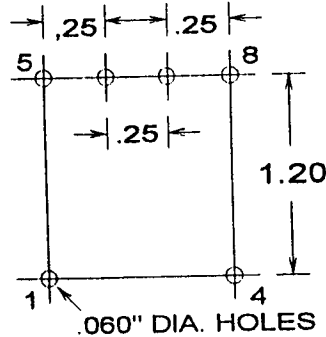
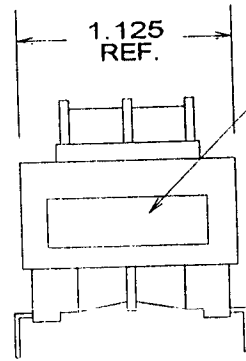
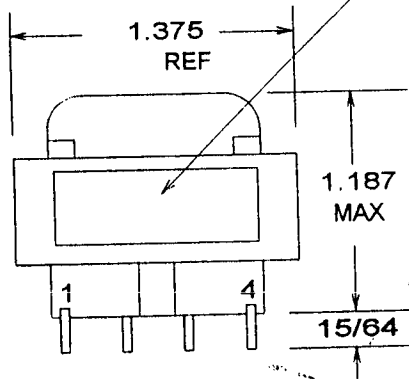
TOLERANCE UNLESS SPECIFIED = .XXX = +/- .005 .XX = +/- .015 FRACTIONS = +/- .032

FS16-150.DC2

YYWW = YEAR, WEEK
XXX = SITECODE

M MagneTek - Triad
FS16-150
CLASS B C **RU** US

EIA-17-YYWW
XXX B10



PRODUCTION TESTS

URNS RATIO = 100%

DC RESISTANCE IN OHMS	1-2 = 675 TO 815
	3-4 = 825 TO 970
	5-6 = 4.6 TO 5.6
	7-8 = 5.6 TO 7

MAX EXCITATION CURRENT = 0.010 A
APPLY = 230V 60 HZ, 1-4, TIE 2+3

OPEN CIRCUIT VOLTAGE TEST:

230V 60 HZ, 1-4, TIE 2+3

1-2 = 3-4 = 115V

EACH SEC, 9.7 TO 10.2 V

HIPOT = 2500V PRI'S TO SEC'S & CORE

2500V SEC'S TO CORE

500V P-P, S-S

FINAL ASSEMBLY NOTES