

**Type: CDH28D09/S**

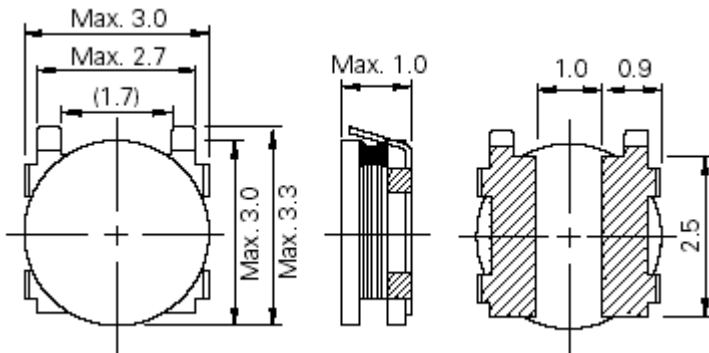
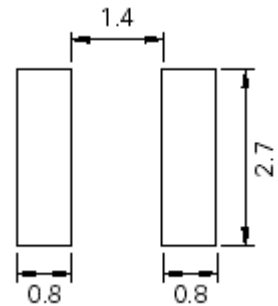
# UNDER DEVELOPMENT

**◆ Product Description**

- 3.0×3.0mm Max.(L×W), 1.0mm Max. Height.
- Inductance range: 1.3~15 μ H.
- Rated current range: 0.35~1.1A.
- Custom design is available.


**◆ Feature**

- Magnetically unshielded construction.
- Ideally used in Mobilephone, PDA, MP3, DSC/DVC, HDD, etc as DC-DC Converter inductors.
- Dropping impact reinforced types.
- RoHS Compliance

**◆ Dimensions (mm)**

**◆ Land Pattern (mm)**

**◆ Specification**

Part Name ※	Stamp	Inductance (μ H) [Within] 100kHz/1V	D.C.R.(Ω) Max.(Typ.) (at 20°C)	Saturation Current (A) ※1	Temperature Rise current (A) ※2
CDH28D09SNP-1R3M□	1R3	1.3±20%	100m(80m)	1.10	1.30
CDH28D09SNP-2R2M□	2R2	2.2±20%	144m(115m)	900m	1.05
CDH28D09SNP-3R0M□	3R0	3.0±20%	175m(140m)	780m	920m
CDH28D09SNP-4R7M□	4R7	4.7±20%	269m(215m)	620m	720m
CDH28D09SNP-6R2M□	6R2	6.2±20%	369m(295m)	530m	630m
CDH28D09SNP-100M□	100	10±20%	525m(420m)	430m	520m
CDH28D09SNP-150M□	150	15±20%	881m(705m)	350m	350m

**※ Description of part name**

CDH28D09SNP-1R3M□  
└─ B Box  
└─ C Carrier Tape

※1.Saturation Current: The DC current at which the inductance decreases to 70% of it's nominal value.  
 ※2 Temperature rise current: The DC current at which the temperature rise is Δt=40°C.(Ta=20°C)

**This datasheet is not a final issue, and maybe something will be changed before production.**