

PLEASE CHECK WWW.MOLEX.COM FOR LATEST PART INFORMATION

Part Number: [5024941370](#)
Status: **Active**
Description: 2.00mm (.079") Pitch CLIK-Mate™ Wire-to-Board PCB Receptacle, Single Row, Right Angle, 13 Circuits

Documents:

[3D Model](#) [Product Specification PS-502443-001 \(PDF\)](#)
[Drawing \(PDF\)](#) [RoHS Certificate of Compliance \(PDF\)](#)

General

Product Family PCB Receptacles
 Series [502494](#)
 Application Wire-to-Board
 Product Name CLIK-Mate™

Physical

Circuits (Loaded) 13
 Circuits (maximum) 13
 Durability (mating cycles max) 30
 Glow-Wire Compliant No
 Guide to Mating Part Yes
 Keying to Mating Part Yes
 Lock to Mating Part Yes
 Mated Height (in) 0.272 In
 Mated Height (mm) 6.90 mm
 Material - Plating Mating Tin
 Material - Plating Termination Tin
 Number of Rows 1
 Orientation Right Angle
 PCB Locator No
 PCB Retention Yes
 Packaging Type Embossed Tape on Reel
 Pitch - Mating Interface (in) 0.079 In
 Pitch - Mating Interface (mm) 2.00 mm
 Pitch - Term. Interface (in) 0.079 In
 Pitch - Term. Interface (mm) 2.00 mm
 Plating min: Mating (µin) 80.000
 Plating min: Mating (µm) 2.00
 Plating min: Termination (µin) 40.000
 Plating min: Termination (µm) 1.00
 Polarized to Mating Part Yes
 Polarized to PCB Yes
 Stackable No
 Surface Mount Compatible (SMC) Yes
 Temperature Range - Operating -25°C to +85°C
 Termination Interface: Style Surface Mount

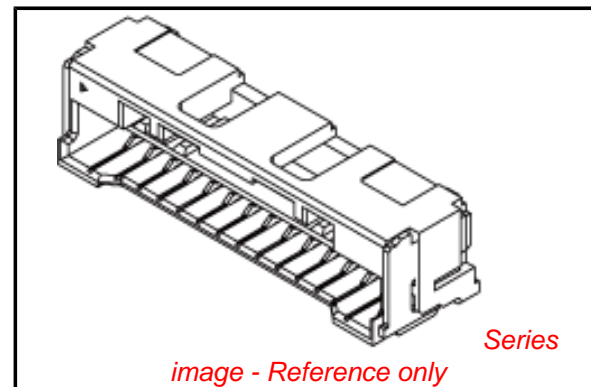
Electrical

Current - Maximum per Contact 3A
 Voltage - Maximum 250V AC (RMS)/DC

Material Info

Reference - Drawing Numbers

Product Specification PS-502443-001, RPS-502443-001, RPS-502443-004,
 RPS-502443-007, RPS-502494-001
 Sales Drawing SD-502494-001, SD-502494-002



EU RoHS

**ELV and RoHS
 Compliant**
REACH SVHC
 Not Reviewed
**Halogen-Free
 Status**
Not Reviewed

China RoHS



**Need more information on product
 environmental compliance?**

Email productcompliance@molex.com
 For a multiple part number RoHS Certificate of
 Compliance, [click here](#)

Please visit the [Contact Us](#) section for any
 non-product compliance questions.

Search Parts in this Series

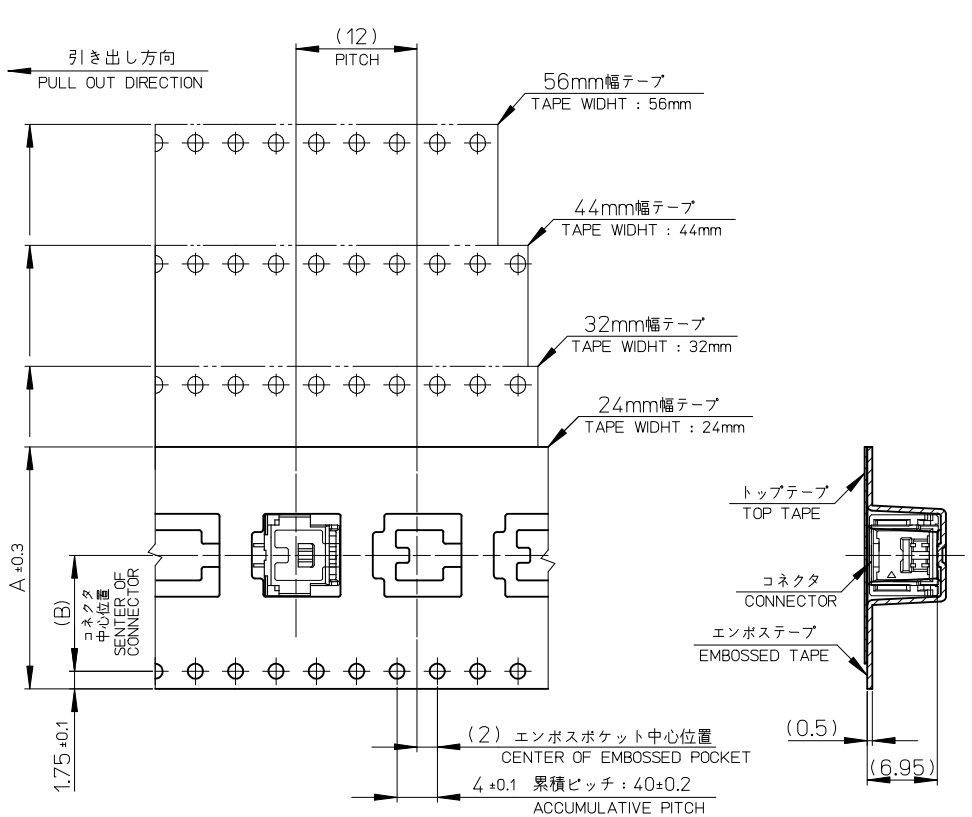
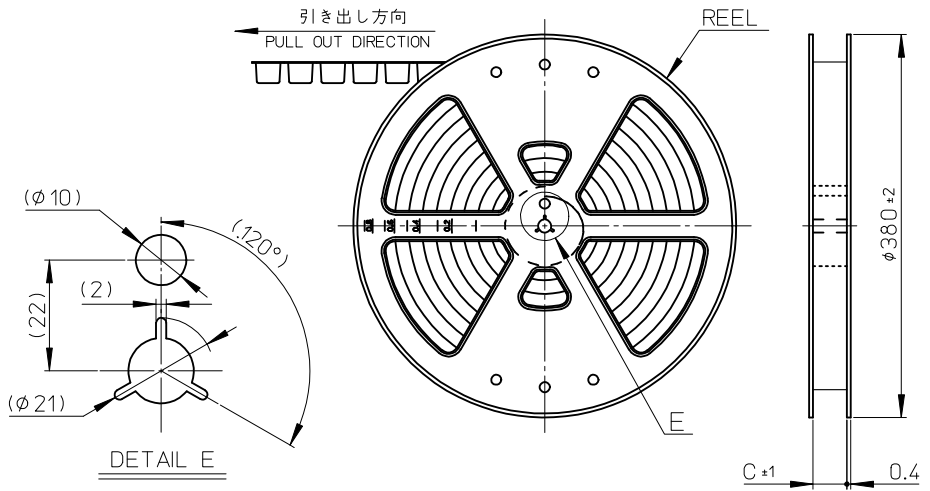
[502494Series](#)

Mates With

[502439 Crimp Housing](#)

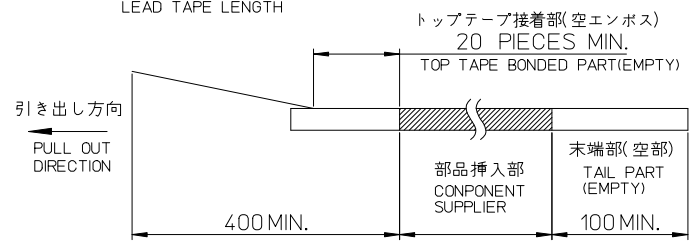
This document was generated on 04/20/2010

PLEASE CHECK WWW.MOLEX.COM FOR LATEST PART INFORMATION



NOTES

- 製品詳細寸法については、SD-502494-002を参照下さい。
PLEASE REFER TO SD-502494-002 FOR THE DETAILED DIMENSION OF THE CONNECTOR.
- 梱包数量：950個
NUMBER OF CONNECTORS：950 PIECES/REEL.
- リードテープ長さ
LEAD TAPE LENGTH

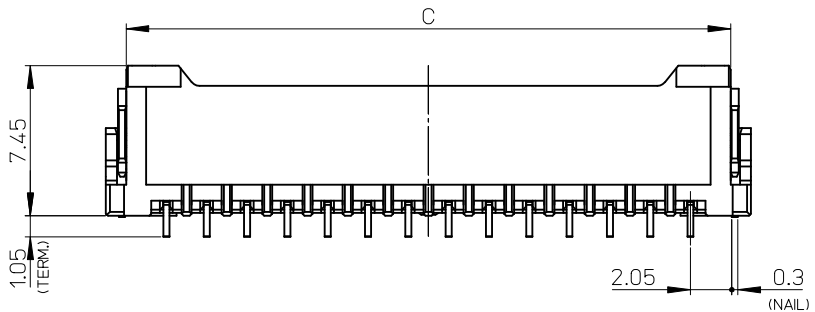
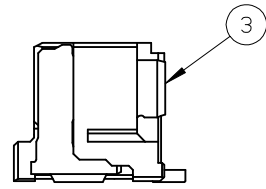
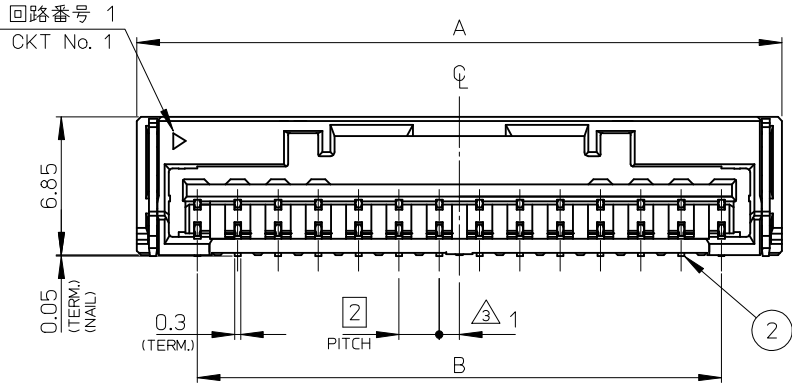
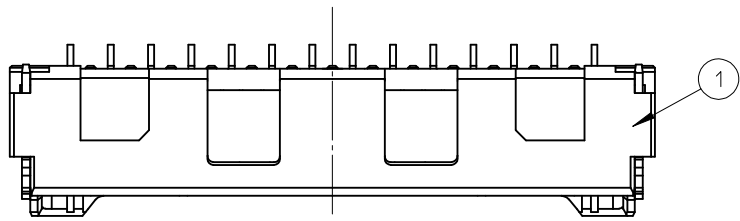


- 材料
MATERIAL
キャリアテープ：ポリスチレン
CARRIER TAPE：POLYSTYRENE
トップテープ：ポリエステル、ポリエチレン、ポリエチレンテレフタレート
TOP TAPE：POLYESTER, POLYETHYLENE, POLYETHYLENE TEREPHTHALATE
リール：ポリスチレン <リサイクル材を含む>
REEL：POLYSTYRENE <RECYCLE MATERIAL CONTAINED>
- ELV及びRoHS適合品
ELV AND RoHS COMPLIANT

57.5	26.2	56	502494-1470	14
45.5	20.2	44	502494-1370	13
45.5	20.2	44	502494-1270	12
45.5	20.2	44	502494-0870	8
33.5	14.2	32	502494-0670	6
25.5	11.5	24	502494-0470	4
C	B	エンボステープ幅 WIDTH OF TAPE	製品番号 MATERIAL NO.	極数 CXT. NO.

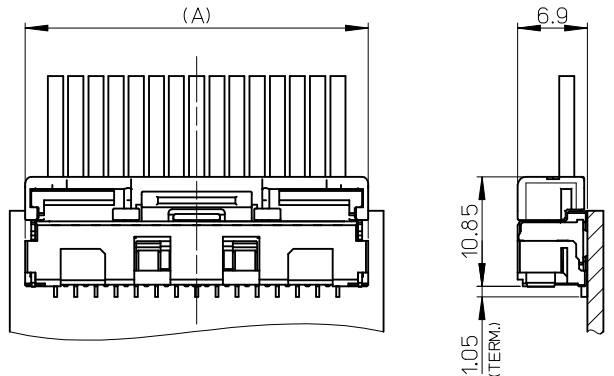
REVISED EC NO: J2010-0767 2009/10/20 DRWN: NITO CHKD: KASAKAWA 2009/10/20 APPR: NUKITA 2009/10/21	DESCRIPTION	GENERAL TOLERANCES (UNLESS SPECIFIED)		DIMENSION STYLE MM ONLY		SCALE ---	DESIGN UNITS METRIC		THIRD ANGLE PROJECTION	
		10 UNDER	±0.2	DRAWN BY NITO	DATE 2007/01/11	TITLE EMBOSSED TAPE PACKAGE FOR 502494				
		10 OVER 30 UNDER	±0.25	CHECKED BY KASAKAWA	DATE 2007/01/11	MOLEX INCORPORATED				
		30 OVER	±0.3	APPROVED BY YOITO	DATE 2007/01/11					
ANGULAR	±3 °	DRAFT WHERE APPLICABLE MUST REMAIN WITHIN DIMENSIONS		MATERIAL NO. SEE TABLE	DOCUMENT NO. SD-502494-001	SHEET NO. 1 OF 1				
SIZE A3	THIS DRAWING CONTAINS INFORMATION THAT IS PROPRIETARY TO MOLEX INCORPORATED AND SHOULD NOT BE USED WITHOUT WRITTEN PERMISSION									

10 9 8 7 6 5 4 3 2 1



NOTES

1. 嵌合相手 : 502438-**00
MATE WITH : 502438-**00
2. 端子テール部 及び ネイルの平坦度 : 0.1MAX.
TAIL AND NAIL COPLANARITY TO BE 0.1 MAX.
3. 極数 / 2 = 偶数に適用。
APPLY FOR CKT. SIZE / 2 = EVEN.
4. 端子テール部 及び ネイルに錫めっきを使用しているため、
外觀に摺動痕が付く場合が御座います。
THE WOUND OF FRICTION MIGHT ADHERE TO EXTERNALS
BECAUSE THE TIN PLATING IS USED FOR THE TAIL AND NAIL.
5. 本製品のプラスチック部に黒点等が確認される場合や
色合いが異なる場合がありますが、製品性能に影響はありません。
THERE IS NO INFLUENCE IN THE PRODUCT PERFORMANCE THOUGH
THE BLACK SPOT ETC. MIGHT BE CONFIRMED TO THE PLASTIC PART
OF THIS PRODUCT AND THE SHADE MIGHT BE DIFFERENT.
6. ELV 及び RoHS 適合品
ELV AND RoHS COMPLIANT



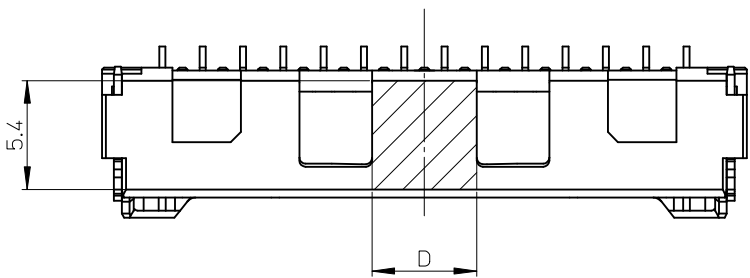
嵌合図 MATED CONNECTORS
(SCALE : 2-1)

5.2	30	26	32	502494-1470	14
5.2	28	24	30	502494-1370	13
5.2	26	22	28	502494-1270	12
5.2	18	14	20	502494-0870	8
4	14	10	16	502494-0670	6
7.6	10	6	12	502494-0470	4
D	C	B	A	EMBOSSED TAPE PACKAGE	極数
				注文番号 ORDER No.	CKT. NO.

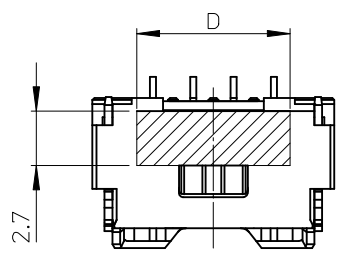
番号 NO.	部品 PART	材質 MATERIAL
①	ハウジング HOUSING	耐熱性樹脂 UL94V-0 色 : ナチュラル HEATPROOF RESIN UL94V-0 COLOR:NATURAL
②	ターミナル TERMINAL	銅合金 COPPER ALLOY 錫めっき : 1.0 micro-meter MIN. TIN (TAIL AREA) ニッケルめっき(下地) : 1.0 micro-meter MIN. NICKEL (UNDER PLATING)
③	ネイル NAIL	銅合金 COPPER ALLOY 錫めっき : 1.0 micro-meter MIN. TIN ニッケルめっき(下地) : 1.0 micro-meter MIN. NICKEL (UNDER PLATING)

REVISED EC NO: J2010-0767 2009/10/20 DRW:NITO CHKD:KASAKAWA 2009/10/20 APPR:NUKITA 2009/10/21	DESCRIPTION	GENERAL TOLERANCES (UNLESS SPECIFIED)		DIMENSION STYLE MM ONLY		SCALE 4:1	DESIGN UNITS METRIC	THIRD ANGLE PROJECTION	
		10 UNDER	±0.2	DRAWN BY NITO	DATE 2007/01/11	TITLE 2.0 W/B CONN. SINGLE R/A REC. ASSY 2-15CKT -LEAD FREE-			
		10 OVER 30 UNDER	±0.25	CHECKED BY KASAKAWA	DATE 2007/01/11	MOLEX INCORPORATED			
		30 OVER	±0.3	APPROVED BY YOITO	DATE 2007/01/11				
REV	ANGULAR ±1 °	DRAFT WHERE APPLICABLE MUST REMAIN WITHIN DIMENSIONS		MATERIAL NO. SEE TABLE	DOCUMENT NO. SD-502494-002	SHEET NO. 1 OF 2			
SIZE A3 THIS DRAWING CONTAINS INFORMATION THAT IS PROPRIETARY TO MOLEX INCORPORATED AND SHOULD NOT BE USED WITHOUT WRITTEN PERMISSION									

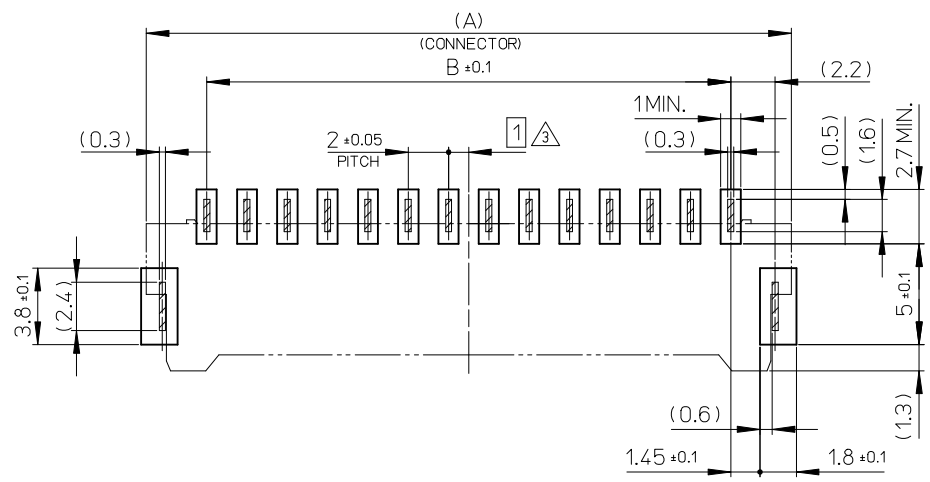
10 9 8 7 6 5 4 3 2 1



吸着エリア 6~14極
VACUME AREA 6~14CKT



吸着エリア 4極
VACUME AREA 4CKT



基板パターンレイアウト(参考)
RECCOMENDED P.C.B. PATTERN LAYOUT (REF.)

REVISED EC NO: J2010-0767 DRWN: NITO CHKD: KASAKAWA APPR: NUKITA	2009/10/20 2009/10/20 2009/10/21	GENERAL TOLERANCES (UNLESS SPECIFIED)		DIMENSION STYLE MM ONLY	SCALE 4:1	DESIGN UNITS METRIC	THIRD ANGLE PROJECTION
	DESCRIPTION	10 UNDER	±0.2	DRAWN BY NITO	DATE 2007/01/11	TITLE 2.0 W/B CONN. SINGLE R/A REC. ASSY 2-15CKT -LEAD FREE-	
	REV	10 OVER 30 UNDER	±0.25	CHECKED BY KASAKAWA	DATE 2007/01/11		
		30 OVER	±0.3	APPROVED BY YOITO	DATE 2007/01/11	MOLEX INCORPORATED	
		ANGULAR	±1 °	MATERIAL NO.	DOCUMENT NO.		
	DRAFT WHERE APPLICABLE MUST REMAIN WITHIN DIMENSIONS		SIZE A3	SEE TABLE		SD-502494-002	2 OF 2