



UR533

LINEAR INTEGRATED CIRCUIT

5A ADJUSTABLE/FIXED ULTRA LOW DROP-OUT LINEAR REGULATOR

DESCRIPTION

The UTC **UR533** is ultra-low dropout regulators with 5A output current capability. This device has been optimized for low voltage applications including V_{TT} bus termination, where transient response and minimum input voltage is critical. The UTC **UR533** is ideal for low voltage microprocessor applications requiring a regulated output from 1.3V ~ 5.7V with a power input supply of 1.75V ~ 6.5V.

Current limit ensures controlled short-circuit current. On-chip thermal limiting provides protection against any combination of overload and ambient temperature that would create excessive junction temperatures.

FEATURES

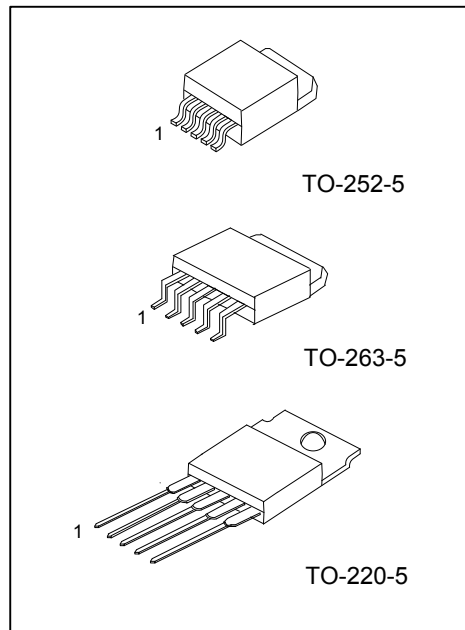
- * Ultra Low dropout voltage
- * Remote sense operation
- * Fast transient response
- * Load regulation: 0.05% typical
- * 0.5% initial accuracy
- * On-chip thermal limiting

ORDERING INFORMATION

Ordering Number			Package	Packing
Normal	Lead Free	Halogen Free		
UR533-xx-TA5-T	UR533L-xx-TA5-T	UR533G-xx-TA5-T	TO-220-5	Tube
UR533-xx-TN5-R	UR533L-xx-TN5-R	UR533G-xx-TN5-R	TO-252-5	Tape Reel
UR533-xx-TQ5-R	UR533L-xx-TQ5-R	UR533G-xx-TQ5-R	TO-263-5	Tape Reel
UR533-xx-TQ5-T	UR533L-xx-TQ5-T	UR533G-xx-TQ5-T	TO-263-5	Tube

Note: xx: Output Voltage, refer to Marking Information.

<p>UR533L-xx-TA5-R</p> <p>(1) Packing Type</p> <p>(2) Package Type</p> <p>(3) Output Voltage Code</p> <p>(4) Lead Plating</p>	<p>(1) R: Tape Reel, T: Tube</p> <p>(2) TA5: TO-220-5, TN5: TO-252-5, TQ5: TO-263-5</p> <p>(3) xx: refer to Marking Information</p> <p>(4) G: Halogen Free, L: Lead Free, Blank: Pb/Sn</p>
---	--



Lead-free: UR533L-xx
Halogen-free: UR533G-xx

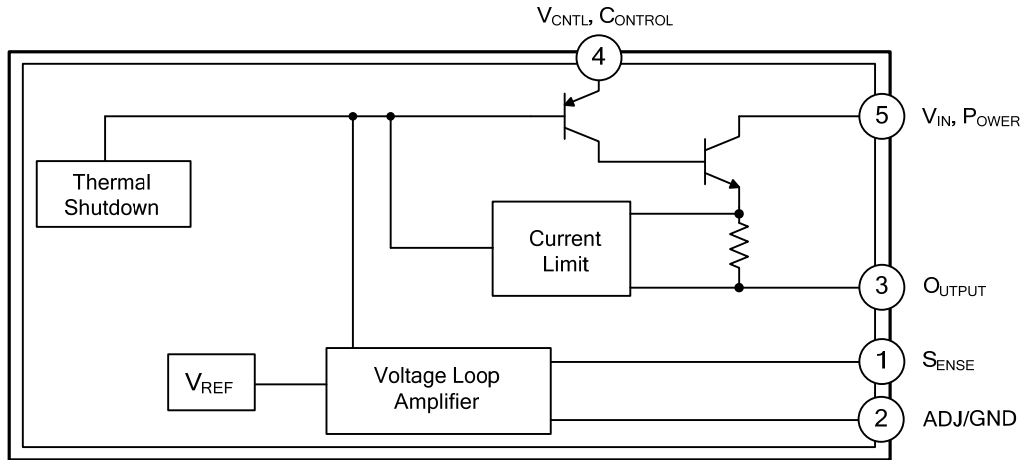
MARKING INFORMATION

PACKAGE	VOLTAGE CODE	MARKING
TO-220-5	15 :1.5V	
TO-252-5	25 :2.5V	
TO-263-5	AD:ADJ	

PIN DESCRIPTIONS

PIN NO.	PIN NAME	DESCRIPTION
1	V_{SENSE}	Remote Voltage Sense.
2	ADJ/GND	Adjust for UR533-ADJ , the output voltage determined by feedback voltage. Ground for fixed output products(UR533-xx)
3	V_{OUT}	Output Voltage.
4	V_{CNTL}	Control Voltage.
5	V_{IN}	Input Voltage.

■ BLOCK DIAGRAM



■ ABSOLUTE MAXIMUM RATINGS (Ta = 25°C)

PARAMETER	SYMBOL	RATINGS	UNIT
Input Voltage	V _{IN}	7	V
Control Voltage	V _{CNTL}	13.2	V
Operating Junction Temperature	T _{OPR}	-40~+85	°C
Storage Temperature	T _{STG}	-65~+150	°C

Note Absolute maximum ratings are those values beyond which the device could be permanently damaged. Absolute maximum ratings are stress ratings only and functional device operation is not implied.

■ THERMAL DATA

PARAMETER	SYMBOL	RATINGS	UNIT	
Junction to Case	TO-220-5	θ _{JC}	3	°C/W
	TO-252-5		8	°C/W
	TO-263-5		4	°C/W

■ ELECTRICAL CHARACTERISTICS (T_C = 25°C, V_{OUT} = V_S, V_{ADJ} = 0V unless otherwise specified.)

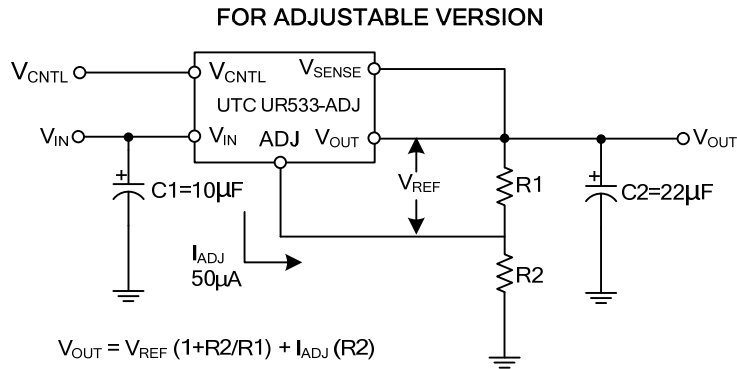
For UR533-AD(Adjustable)

PARAMETER	SYMBOL	TEST CONDITIONS	MIN	TYP	MAX	UNIT
Reference Voltage	V _{REF}	V _{IN} = 2.0V, V _{CNTL} = 2.75V, I _{OUT} = 10mA	1.243	1.250	1.257	V
		2.05V ≤ V _{IN} ≤ 5.5V, 2.7V ≤ V _{CNTL} ≤ 12V, 10mA ≤ I _{OUT} ≤ 5A	1.237	1.250	1.263	V
Output Voltage	V _{OUT}	3V ≤ V _{IN} ≤ 7V, 10mA ≤ I _{OUT} ≤ 5A	V _{REF}	1.5	5.7	V
Line Regulation	ΔV _{OUT}	1.75V ≤ V _{IN} ≤ 5.5V, 2.5V ≤ V _{CNTL} ≤ 12V, I _{OUT} = 10mA		1	3	mV
Load Regulation	ΔV _{OUT}	V _{IN} = 2.1V, V _{CNTL} = 2.75V, 10mA ≤ I _{OUT} ≤ 5A		1	5	mV
Dropout Voltage	V _{CNTL} - V _{OUT}	V _{IN} = 2.05V, ΔV _{REF} = 1%, I _{OUT} = 5A		1.05	1.18	V
	V _{IN} - V _{OUT}	V _{CNTL} = 2.75V, ΔV _{REF} = 1%, I _{OUT} = 5A		0.4	0.5	V
Current Limit	I _{LIMIT}	V _{IN} = 2.05V, V _{CNTL} = 2.75V	5.2			A
Control Pin Current	I _{CTRL}	V _{IN} = 2.05V, V _{CNTL} = 2.75V, I _{OUT} = 10mA		2	6	mA
Adjust Pin Current	I _{ADJ}	V _{IN} = 2.05V, V _{CNTL} = 2.75V		50	120	μA
Minimum Load Current	I _{LOAD}	V _{IN} = 3.3V, V _{CNTL} = 5V		5.0	10	mA
Ripple Rejection	RR	V _{IN} = 3.75V, V _{CNTL} = 3.75V, f = 120Hz, C _{OUT} = 22μF Tantalum, I _{OUT} = 2.5A		80		dB
Thermal Regulation		T _a = 25°C, 30ms pulse		0.002	0.02	%/W
Thermal Shutdown				150		°C

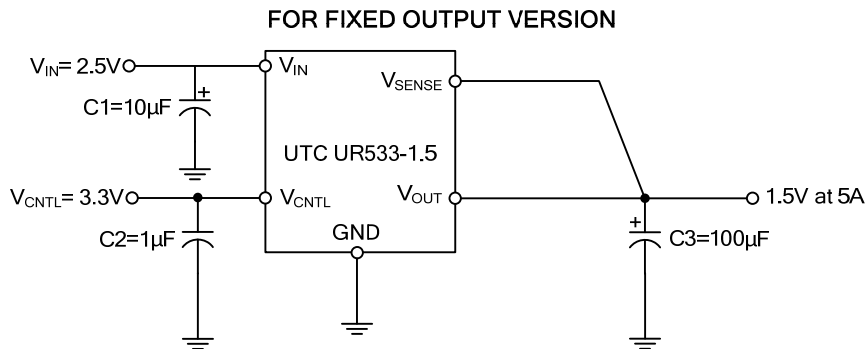
For UR533-xx(Fixed)

PARAMETER	SYMBOL	TEST CONDITIONS	MIN	TYP	MAX	UNIT	
Output Voltage	UR533-15	V _{OUT}	3V ≤ V _{IN} ≤ 7V, 10mA ≤ I _{OUT} ≤ 5A	1.47	1.5	1.53	V
	UR533-25	V _{OUT}	5.1V ≤ V _{IN} ≤ 7V, 10mA ≤ I _{OUT} ≤ 5A	2.474	2.5	2.526	V
Line Regulation	ΔV _{OUT}	1.75V ≤ V _{IN} ≤ 5.5V, 2.5V ≤ V _{CNTL} ≤ 12V, I _{OUT} = 10mA		1	3	mV	
Load Regulation	ΔV _{OUT}	V _{IN} = 2.1V, V _{CNTL} = 2.75V, 10mA ≤ I _{OUT} ≤ 5A		1	5	mV	
Dropout Voltage	V _{CNTL} - V _{OUT}	V _{IN} = 2.05V, ΔV _{REF} = 1%, I _{OUT} = 5A		1.05	1.18	V	
Dropout Voltage	V _{IN} - V _{OUT}	V _{CNTL} = 2.75V, ΔV _{REF} = 1%, I _{OUT} = 5A		0.4	0.5	V	
Current Limit	I _{LIMIT}	V _{IN} = 2.05V, V _{CNTL} = 2.75V	5.2			A	
Control Pin Current	I _{CTRL}	V _{IN} = 2.05V, V _{CNTL} = 2.75V, I _{OUT} = 10mA		2	6	mA	
Minimum Load Current	I _{LOAD}	V _{IN} = 3.3V, V _{CNTL} = 5V		5.0	10	mA	
Ripple Rejection	RR	V _{IN} = 3.75V, V _{CNTL} = 3.75V, f = 120Hz, C _{OUT} = 22μF Tantalum, I _{OUT} = 2.5A		80		dB	
Thermal Regulation		T _a = 25°C, 30ms pulse		0.002	0.02	%/W	
Thermal Shutdown				150		°C	

■ TYPICAL APPLICATION CIRCUIT

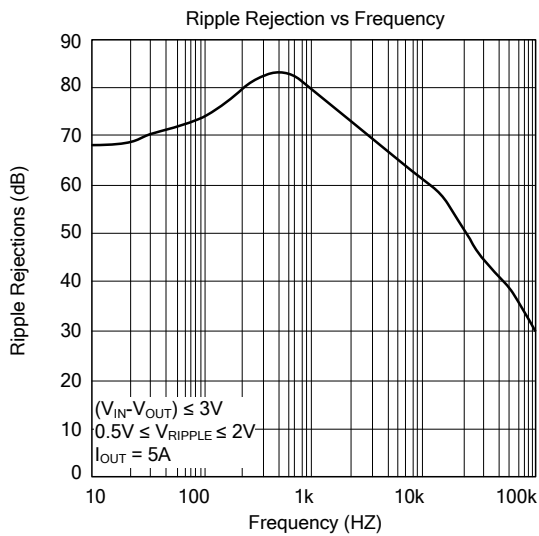
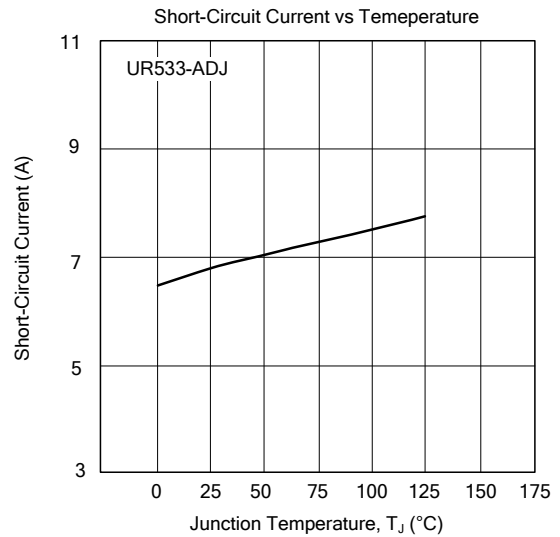
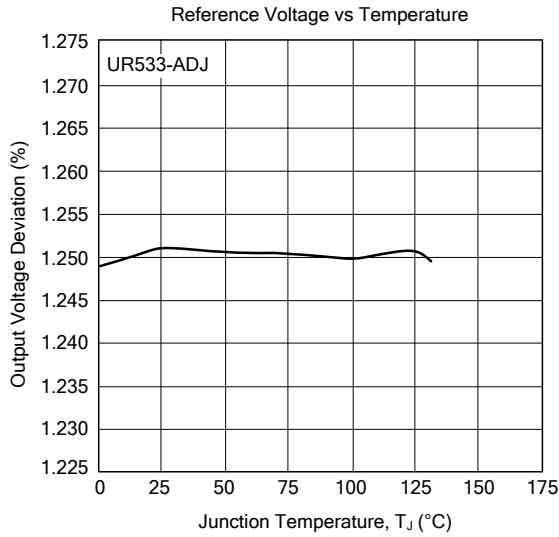
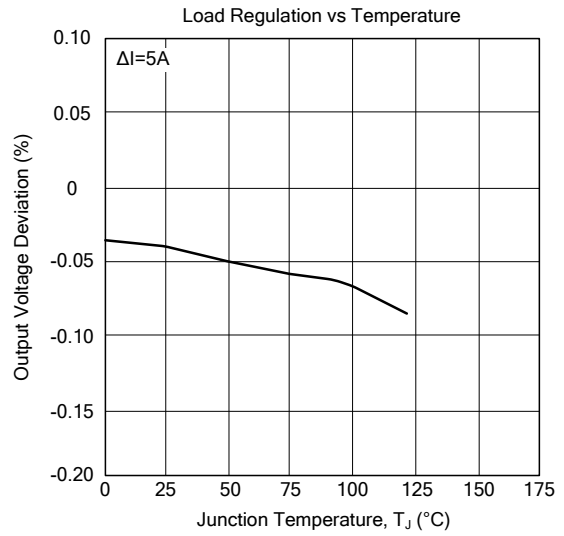
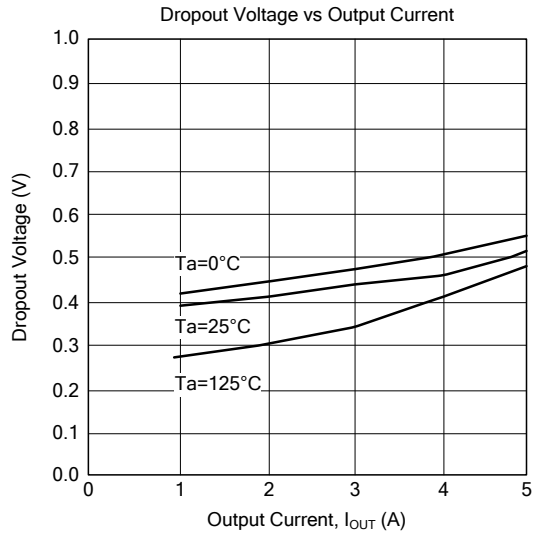


Note: C2 is recommended to use 22µF solid tantalum or 100µF aluminum electrolytic for output stability.



Note: C3 is recommended to use 22µF solid tantalum or 100µF aluminum electrolytic for output stability.

■ TYPICAL PERFORMANCE CHARACTERISTICS



UTC assumes no responsibility for equipment failures that result from using products at values that exceed, even momentarily, rated values (such as maximum ratings, operating condition ranges, or other parameters) listed in products specifications of any and all UTC products described or contained herein. UTC products are not designed for use in life support appliances, devices or systems where malfunction of these products can be reasonably expected to result in personal injury. Reproduction in whole or in part is prohibited without the prior written consent of the copyright owner. The information presented in this document does not form part of any quotation or contract, is believed to be accurate and reliable and may be changed without notice.