



Solid State Devices, Inc.

14701 Firestone Blvd * La Mirada, Ca 90638
 Phone: (562) 404-4474 * Fax: (562) 404-1773
 ssdi@ssdi-power.com * www.ssdi-power.com

Designer's Data Sheet

FEATURES:

- Low Forward Voltage Drop
- Low Reverse Leakage
- Hermetically Sealed Surface Mount Package
- Guard Ring for Overvoltage Protection
- Ceramic Seals for Improved Hermeticity
- Custom Lead Forming Available
- Eutectic Die Attach
- 175°C Operating Junction Temperature

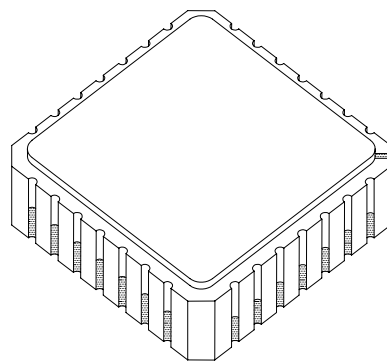
Also Available in the following configurations:

- Common Cathode Centertap: SSR1010-28CT
- Common Anode Centertap: SSR1010-28CA
- Doubler: SSR0510-28D
- TX, TXV, and Space Level Screening Available

SSR0508-28
SSR0509-28
SSR0510-28

5 AMPS
80-100 VOLTS
SCHOTTKY
RECTIFIER

28 PIN CLCC



MAXIMUM RATINGS		Symbol	Value	Units
Peak Repetitive Reverse Voltage and DC Blocking Voltage	SSR0508-28	V_{RRM}	80	Volts
	SSR0509-28	V_{RWM}	90	
	SSR0510-28	V_R	100	
Average Rectified Forward Current (Resistive Load, 60 Hz, Sine Wave, $T_A=25^\circ\text{C}$)		I_O	5	Amps
Peak Surge Current (8.3 ms Pulse, Half Sine Wave Superimposed on I_O , allow junction to reach equilibrium between pulses, $T_A=25^\circ\text{C}$)		I_{FSM}	200	Amps
Operating and Storage Temperature		T_{OP} & T_{stg}	-65 to +175	°C
Maximum Thermal Resistance Junction to Case		$R_{\theta JC}$	6.0	°C/W

NOTE: All specifications are subject to change without notification.
 SCD's for these devices should be reviewed by SSDI prior to release.

DATA SHEET #: RS0183E

DOC



Solid State Devices, Inc.

14701 Firestone Blvd * La Mirada, Ca 90638
 Phone: (562) 404-4474 * Fax: (562) 404-1773
 ssdi@ssdi-power.com * www.ssdi-power.com

SSR0508-28
SSR0509-28
SSR0510-28

ELECTRICAL CHARACTERISTICS (Per Leg)		Symbol	Max	Unit
Instantaneous Forward Voltage Drop ($T_A = 25^\circ\text{C}$, Pulse)	$I_F = 1$ Amps	V_{F1}	0.56	Volts
	$I_F = 5$ Amps	V_{F2}	0.72	
Instantaneous Forward Voltage Drop ($I_F = 5$ Amps, $T_A = -55^\circ\text{C}$, Pulse)		V_{F3}	0.87	Volts
Reverse Leakage Current (Rated V_R , $T_A = 25^\circ\text{C}$, Pulse)		I_{R1}	100	μA
Reverse Leakage Current (Rated V_R , $T_A = 100^\circ\text{C}$, Pulse)		I_{R2}	5	mA
Junction Capacitance ($V_R = 10$ V _{DC} , $T_A = 25^\circ\text{C}$, $f = 1$ MHz)		C_J	400	pF

CASE OUTLINE: 28 PIN CLCC

PIN OUT:

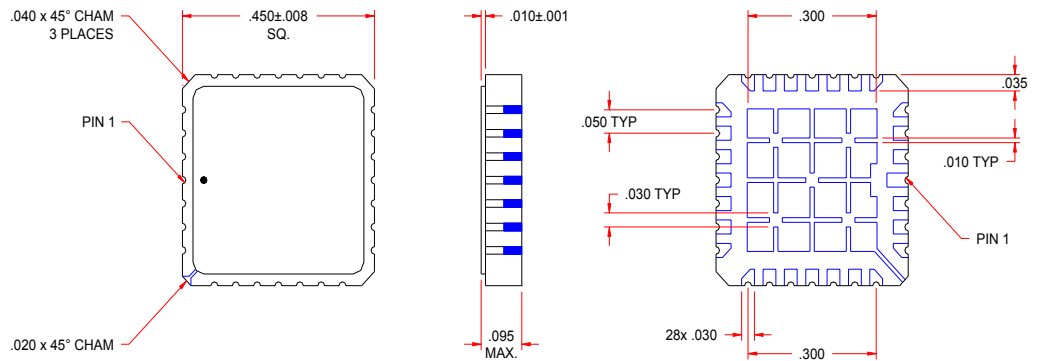
PIN 5-11: CATHODE

PIN 1, 15-28: ANODE

PIN 2, 3, 13, 14: N/C

Note:

For optimal performance,
 connect Anode pins 1 & 15-28
 together and connect
 Cathode pins 5-11 together.



NOTE: All specifications are subject to change without notification.
 SCD's for these devices should be reviewed by SSDI prior to release.

DATA SHEET #: RS0183E

DOC