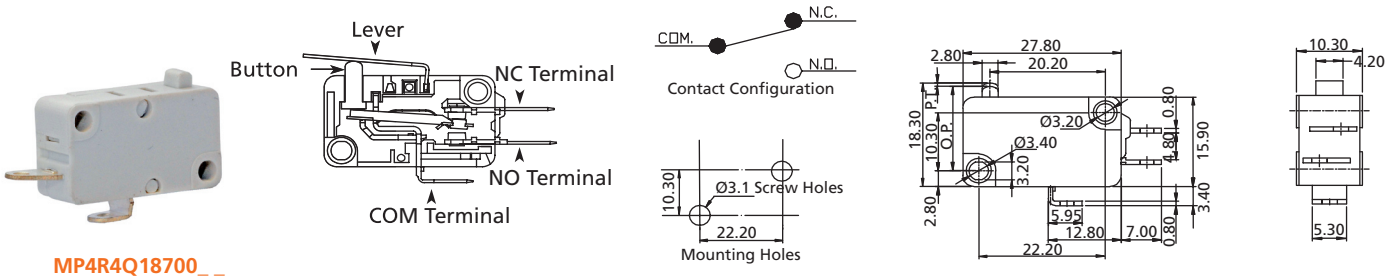


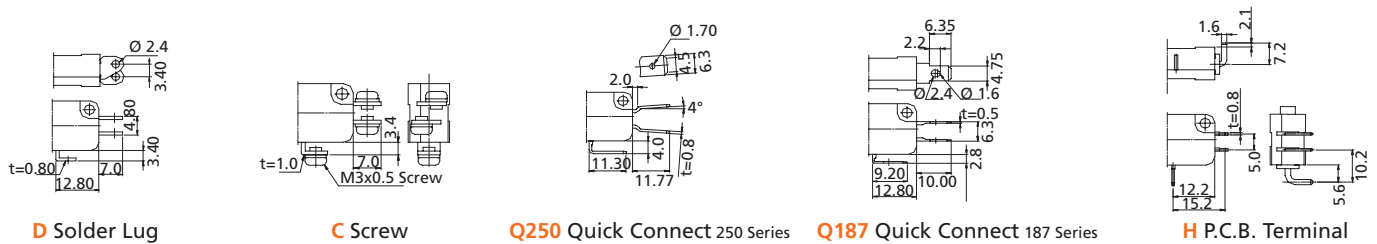
# Micro Switches

## Micro Switches 16A 125/250VAC

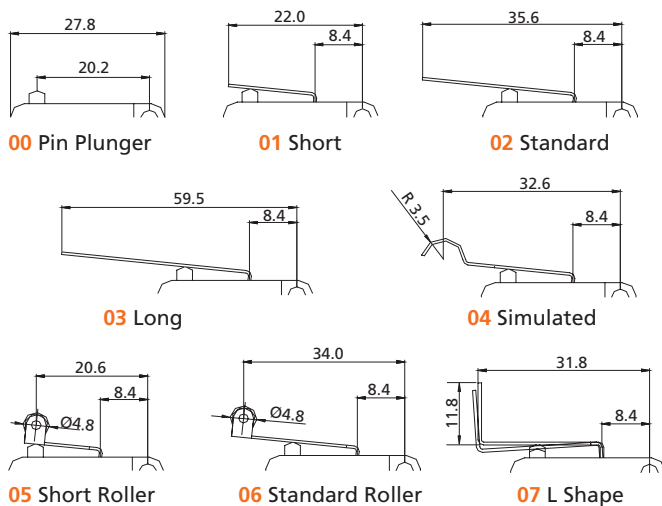
## MP4 Series



### TERMINAL TYPE



### HINGED TYPE (LEVER)



### OPERATING FORCE

Hinged Type	O.P. (mm)	P.T. max. (mm)	O.T. min. (mm)	M.D. max. (mm)	Operating Force max. (gf)			Release Force min. (gf)		
					L	N	H	L	N	H
00	14.7±0.4	1.2	1.0	0.3	150±50	250±50	350±50	30	60	100
01	15.2±0.5	1.6	0.8	0.5	150±50	250±50	350±50	30	60	100
02	15.2±1.2	4.0	1.6	0.8	70	90	135	20	40	50
03	15.2±2.6	9.0	3.2	2.0	15	75	70	20	45	30
04	18.7±1.2	4.0	1.6	0.8	30	100	150	20	40	50
05	20.7±0.6	1.6	0.8	0.5	150±50	250±50	350±50	30	60	100
06	20.7±1.2	4.0	1.6	0.8	30	90	135	20	40	50
07	24.4±1.0	4.0	0.5	0.8	30	110	170	20	50	60

O.P. (Operation Position): The position of the actuator at which the contact snap to the operated contact position  
 F.P. (Free Position): The initial position on the actuator when there is no external force applied  
 P.T. (Pretravel): The distance or angle through which the actuator moves from the F.P. to the O.P.  
 O.T. (Over Travel): The distance or angle of the actuator movement beyond the O.P.  
 R.P. (Releasing Position): The position of the actuator at which the contacts snap from the operated contact position to their normal position  
 M.D. (Movement Differential): The distance or angle from O.P. to R.P.

### How to order:

MP4 1 2 3 4 5

- |  |  |
|--|--|
| <p><b>1</b> <b>CURRENT RATING:</b><br/>R4 16A 125/250VAC</p> <p><b>2</b> <b>TERMINAL TYPE</b><br/>(See above drawings):<br/>D Solder Lug<br/>C Screw<br/>Q250 Quick Connect 250 Series<br/>Q187 Quick Connect 187 Series<br/>H P.C.B. Terminal</p> <p><b>3</b> <b>HINGED TYPE</b><br/>(See above drawings):<br/>00 Pin Plunger<br/>01 Short Hinge Lever<br/>02 Standard Hinge Lever<br/>03 Long Hinge Lever<br/>04 Simulated Hinge Lever<br/>05 Short Roller Hinge Lever<br/>06 Standard Roller Hinge Lever<br/>07 L Shape Hinge Lever</p> | <p><b>4</b> <b>OPERATING FORCE</b><br/>(See above schedule):<br/>L Lower Force<br/>N Standard Force<br/>H Higher Force</p> <p><b>5</b> <b>CIRCUIT</b><br/>2 SPDT<br/>1C SPST (NC)<br/>1O SPST (NO)</p> |
|--|--|

### General Specifications:

#### FEATURES

- » Long Life spring mechanism
- » Large over travel

#### MATERIAL

- » Stationary Contact: AgNi+Cu
- » Movable Contact: AgNi
- » Terminals: C2680R-H

#### MECHANICAL

- » Type of Actuation: Momentary
- » Mechanical Life: 300,000 operations min.
- » Operating Temperature: -25°C to +105°C

#### ELECTRICAL

- » Electrical Life: 10,000 operations min.
- » Initial Contact Resistance: 50mΩ max.
- » Insulation Resistance: 100MΩ min.