

DATA SHEET

TC6/4/2
Ferrite toroids

Supersedes data of September 2004

2008 Sep 01

RING CORES (TOROIDS)

Effective core parameters

SYMBOL	PARAMETER	VALUE	UNIT
$\Sigma(l/A)$	core factor (C1)	7.75	mm ⁻¹
V_e	effective volume	30.2	mm ³
l_e	effective length	15.3	mm
A_e	effective area	1.97	mm ²
m	mass of core	≈ 0.15	g

Coating

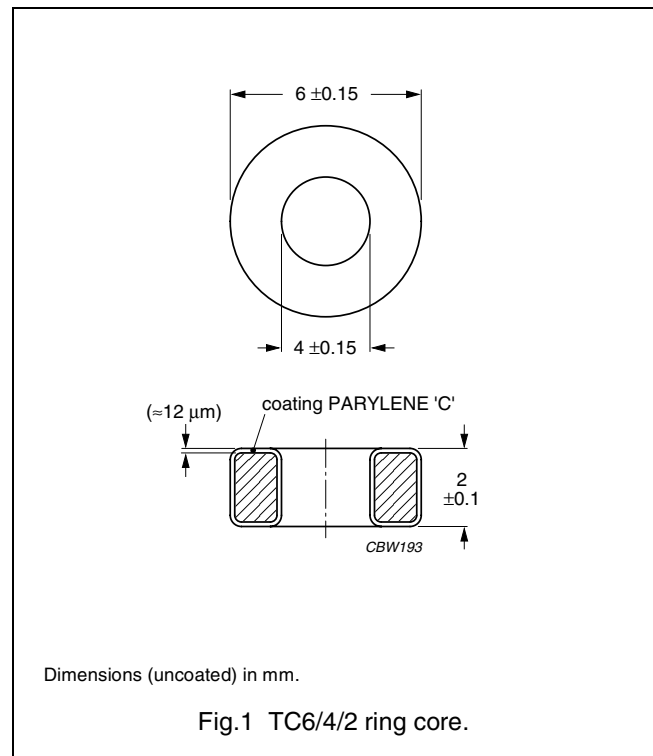
The cores are coated with parylene C, flame retardant in accordance with "UL 94V-2"; UL file number E 194397. The coating is transparent.

Maximum operating temperature is 90 °C.

Isolation voltage

DC isolation voltage: 1000 V.

Contacts are applied on the edge of the ring core, which is also the critical point for the winding operation.



Ring core data

GRADE	A_L (nH)	μ_i	TYPE NUMBER
4C65	20 ± 25%	≈ 125	TC6/4/2-4C65
4A11	114 ± 25%	≈ 700 ⁽¹⁾	TC6/4/2-4A11
3S4 <small>des</small>	275 ± 25%	≈ 1700	TC6/4/2-3S4
3F3	325 ± 25%	≈ 2000	TC6/4/2-3F3
3E25	890 ± 30%	≈ 5500	TC6/4/2-3E25
3E5	1380 ± 30%	≈ 8500	TC6/4/2-3E5
3E6 <small>des</small>	1620 ± 30%	≈ 10000	TC6/4/2-3E6

1. Old permeability specification maintained.




DATA SHEET STATUS DEFINITIONS

DATA SHEET STATUS	PRODUCT STATUS	DEFINITIONS
Preliminary specification	Development	This data sheet contains preliminary data. Ferroxcube reserves the right to make changes at any time without notice in order to improve design and supply the best possible product.
Product specification	Production	This data sheet contains final specifications. Ferroxcube reserves the right to make changes at any time without notice in order to improve design and supply the best possible product.

DISCLAIMER

Life support applications — These products are not designed for use in life support appliances, devices, or systems where malfunction of these products can reasonably be expected to result in personal injury. Ferroxcube customers using or selling these products for use in such applications do so at their own risk and agree to fully indemnify Ferroxcube for any damages resulting from such application.

PRODUCT STATUS DEFINITIONS

STATUS	INDICATION	DEFINITION
Prototype		These are products that have been made as development samples for the purposes of technical evaluation only. The data for these types is provisional and is subject to change.
Design-in		These products are recommended for new designs.
Preferred		These products are recommended for use in current designs and are available via our sales channels.
Support		These products are not recommended for new designs and may not be available through all of our sales channels. Customers are advised to check for availability.