

PLEASE CHECK WWW.MOLEX.COM FOR LATEST PART INFORMATION

Part Number: [0643211019](#)
Status: **Active**
Overview: [cmc connectors](#)
Description: .635mm (.025"), 1.50mm (.059"), 2.80mm (.110"), CMC Receptacle, 53 Circuits, Left Wire Output, Brown Coding, Mat Sealed

Documents:

[3D Model](#) [Product Specification PS-64321-001 \(PDF\)](#)
[Application Specification \(PDF\)](#) [RoHS Certificate of Compliance \(PDF\)](#)
[Drawing \(PDF\)](#)

General

Product Family	Crimp Housings
Series	64321
Comments	* Current tested on a fully loaded connector, current for temperature increase of 40°C. Current max = 21.0A for 2.8mm Terminal (5.0mm ² wire), 12.0A for 1.5mm Terminal (2.0mm ² wire), 2.5A for 0.635mm Terminal (0.75mm ² wire) *
More Detailed Tech Information	Sealed, high-density, power, modular connecting system for Power Train and Body Electronics applications in cars, trucks, busses
Overview	cmc connectors
Product Name	CMC

Physical

Circuits (maximum)	53
Circuits Detail	5x 2.8mm, 8 x 1.5mm, 40 x 0.635mm terminals
Color - Resin	Brown
Gender	Female
Glow-Wire Compliant	No
Keying to Mating Part	Yes
Lock to Mating Part	Yes
Material - Resin	Polyester
Number of Rows	5
Packaging Type	Carton
Panel Mount	No
Pitch - Mating Interface (in)	0.100 In, 0.138 In, 0.276 In
Pitch - Mating Interface (mm)	2.54 mm, 3.50 mm, 7.00 mm
Polarized to Mating Part	Yes
Stackable	No
Temperature Range - Operating	-40°C to +125°C

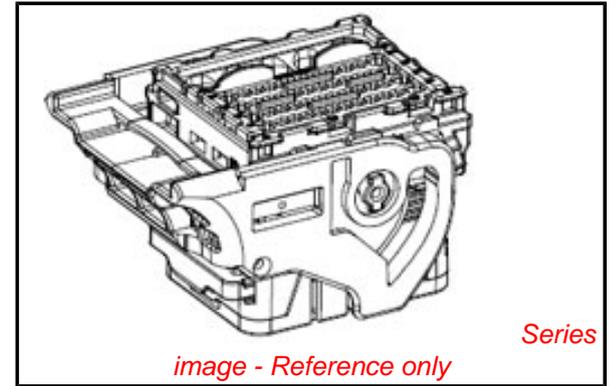
Electrical

Current - Maximum per Contact	12A, 2.5A, 21A
-------------------------------	----------------

Material Info

Reference - Drawing Numbers

Application Specification	AS-64321-001
Product Specification	PS-64321-001
Sales Drawing	SD-64321-001



EU RoHS

ELV and RoHS Compliant
REACH SVHC
 Not Reviewed
Halogen-Free Status

China RoHS



Not Reviewed

Need more information on product environmental compliance?

Email productcompliance@molex.com
 For a multiple part number RoHS Certificate of Compliance, [click here](#)

Please visit the [Contact Us](#) section for any non-product compliance questions.

Search Parts in this Series

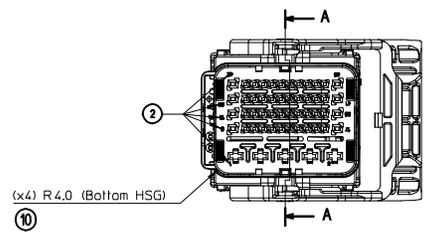
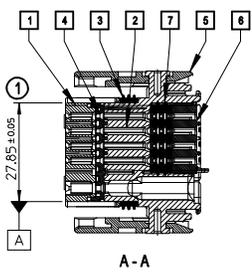
[64321Series](#)

Mates With

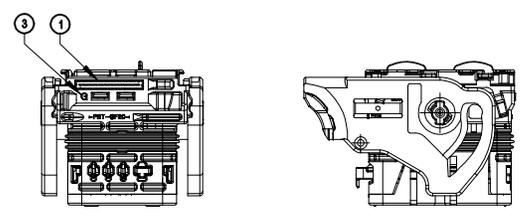
53 Circuit CMC Header [98997-1002](#) - Please Contact Molex for details

Use With

Female Terminals [64322](#) CP 0.635 (.025"), [64323](#) CP 1.5 (.059"). Circuit Way Plugs [643251010](#) , [643251023](#) , [643251091](#). CMC Wire Cap [643211101](#). Header [989971002](#) (contact Molex on Header)

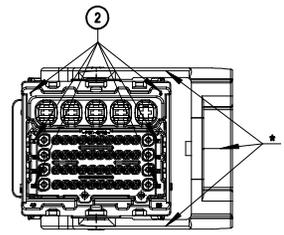
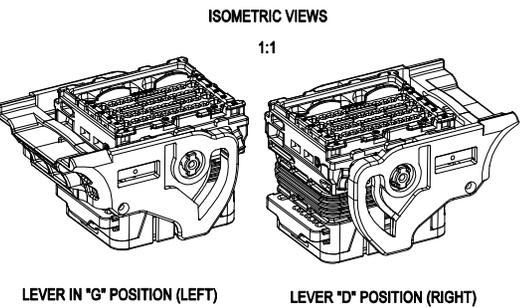
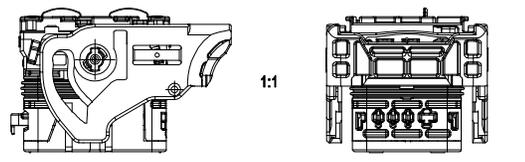
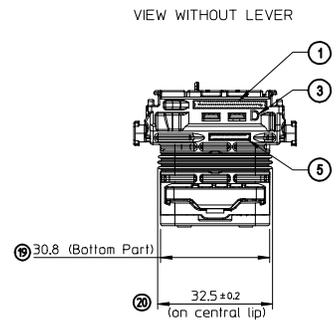
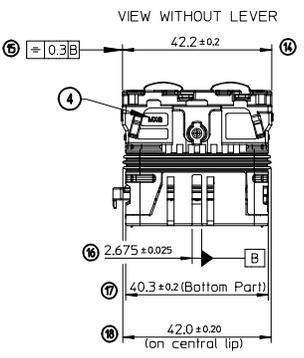
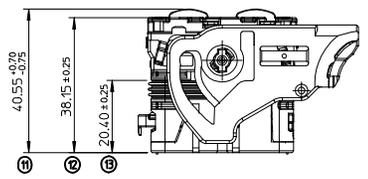
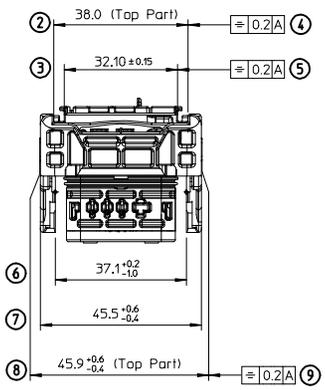
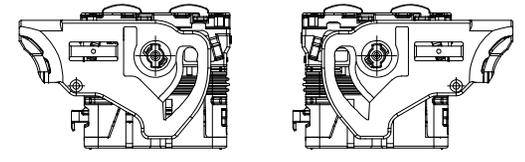


CMC 53W EQUIPED LEVER ON THE LEFT ("G" POSITION)



LEVER IN "G" POSITION (LEFT) (Position shown below)	
MOLEX P/N	COLOR
0643211011	BLACK
0643211018	GREY
0643211019	BROWN

LEVER IN "D" POSITION (RIGHT) (Position shown below)	
MOLEX P/N	COLOR
0643212011	BLACK
0643212018	GREY
0643212019	BROWN



MARKINGS:

- ① - Tracking N° for assembled connector. (Year & Day)
- ② - Cavities Identification (N°).
- ③ - Lever sens indicator.
Visible letter "D" = Housing with lever on the RIGHT. (Lever on the opposite side of the SL Key)
Visible letter "G" = Housing with lever on the LEFT. (Lever on the side of the SL Key)
- ④ - Supplier logo.
- ⑤ - Molex Area.

NOTES:

- 1- The represented female connector is the "D" version (Way out on the Right), Black coding.
 - 2- Application Spec.: AS-64321-001
 - 3- Plugs & caps used:
Cavities 0.6: plug: 0643251010
Cavities 1.5: plug: 0643251023
Cavities 2.8: cap: 0643251091
 - 4- Weight: 50.8 g
 - 5- The assembled female connector matches with the cover CMC 53W (P/N: 0643211101)
- * - Clamping areas on male connector.

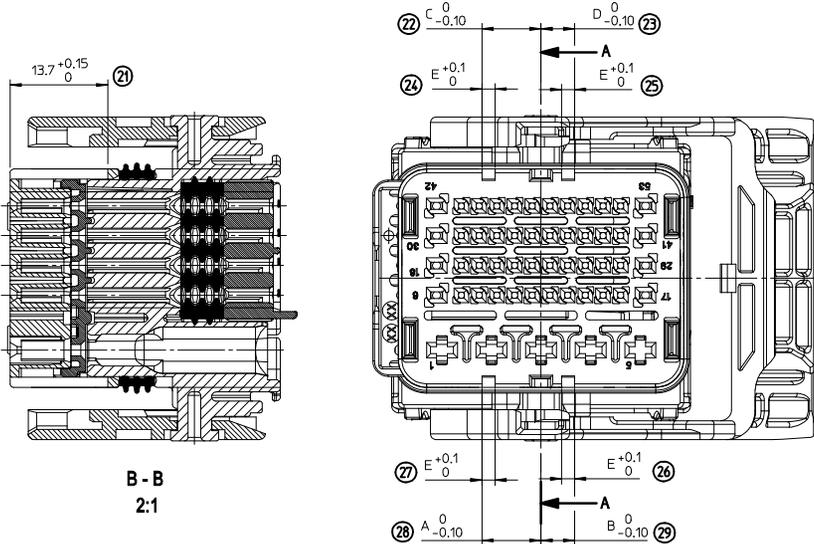
POS.	QTY	DESCRIPTION	MATERIAL	COLOR
7	1	BACK SEAL 'GROMMET'	Silicon	ORANGE
6	1	REAR SEAL COVER	>PBT-GF20<	GREY
5	1	LOCKING LEVER R&L S4	>PBT-GF30<	BLACK
4	1	TPA	>PBT-GF20<	YELLOW
3	1	PERIMETER SEAL SIZE 4	Silicon	ORANGE
2	1	HOUSING TOP PART	>PBT-GF20<	BROWN
1	1	HOUSING BOTTOM PART	>PBT-GF20<	BLACK BROWN GREY

ACCORDING FPIR EC NO: G2009-0092 DRAWN: G. DESBRUERES 2008/10/23 CHKD: O. PLESSIS 2008/11/05 APPR: L. BOULEHAN 2008/11/05	DESCRIPTION [REDACTED]	GENERAL TOLERANCES (UNLESS SPECIFIED)		DIMENSION STYLE MM ONLY	SCALE 1:1	DESIGN UNITS METRIC	FIRST ANGLE PROJECTION		
		4 PLACES ± --- ± --- 3 PLACES ± --- ± --- 2 PLACES ± 0.05 ± --- 1 PLACE ± 0.1 ± ---	mm INCH	DRAWN BY G. DESBRUERES 2007/09/05	DATE 2007/09/05	TITLE CMC FEMALE MODULE 53W GENERIC SALES DRAWING			
		DRAFT WHERE APPLICABLE MUST REMAIN WITHIN DIMENSIONS		APPROVED BY L. STICKEIR 2007/09/07	DATE 2007/09/07	MOLEX INCORPORATED			
		MATERIAL NO. SEE CHARTS		DOCUMENT NO. SD-64321-001		SHEET NO. 1 OF 2			

THIS DRAWING CONTAINS INFORMATION THAT IS PROPRIETARY TO MOLEX INCORPORATED AND SHOULD NOT BE USED WITHOUT WRITTEN PERMISSION

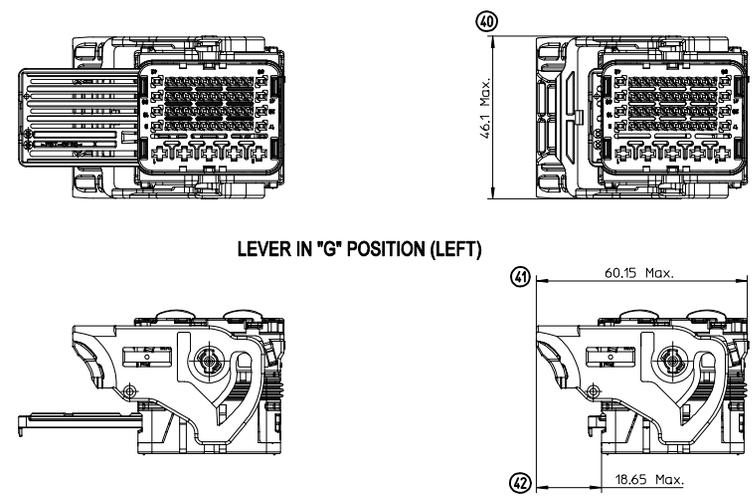
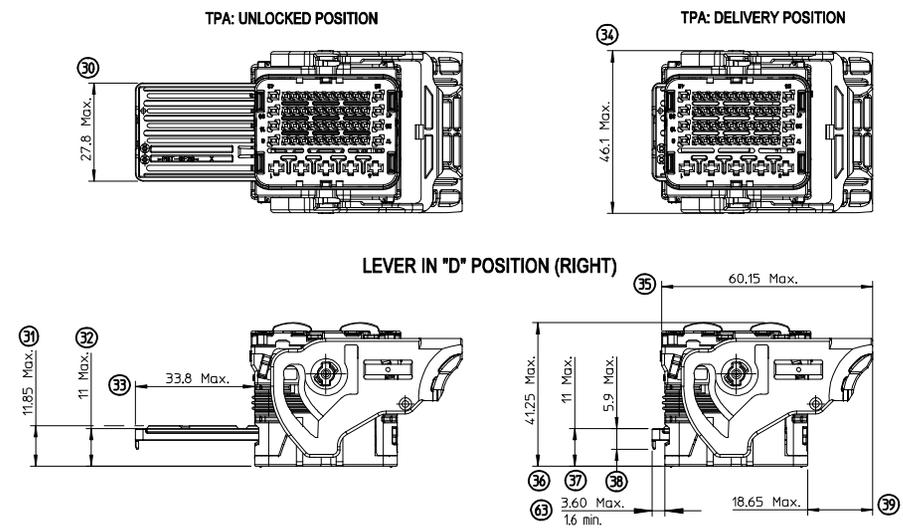
CODINGS

FEMALE HOUSING WITH THE LEVER ON "D" (RIGHT) POSITION.



COLOR	CODING	A ⁰ _{-0.1}	B ⁰ _{-0.1}	C ⁰ _{-0.1}	D ⁰ _{-0.1}	E ^{+0.1} ₀
BLACK	1	8.4	4.8	8.4	4.8	1.8
GREY	2	8.4	6.6	6.6	6.6	1.8
BROWN	3	8.4	8.4	4.8	10.2	1.8

MODULE OVERALL DIMENSIONS:



TERMINALS' P/N(S)						
CAVITIES N°	FEMALE TERMINALS (Section mm2)	PLATING	MOLEX P/N	WIRE SEAL	min / MAX WIRE INSULATION DIAMETER	
7 to 16 19 to 28 31 to 40 43 to 52	CP 0.6 (0.35mm2)	Tin plated	0643221019	/	Ø1.25 min. / Ø1.40 Max.	
		Gold plated	0643221229			
	CP 0.6 (0.5mm2)	Tin plated	0643221039		Ø1.40 min. / Ø1.70 Max.	
		Gold plated	0643221239			
6, 17, 18 29, 30, 41 42, 53	CP 0.6 (0.75mm2)	Tin plated	0643221029	/	Ø1.60 min. / Ø1.90 Max.	
		Gold plated	0643221219			
	CP 1.5 (0.5mm2 to 1mm2)	Tin plated	0643231029		Ø1.45 min. / Ø2.15 Max.	
		Gold plated	0643231319			
1 to 5	CP 1.5 (>1mm2 to 2mm2)	Tin plated	0643231039	/	Ø2.10 min. / Ø2.80 Max.	
		Gold plated	0643231219			
	CP 2.8 (>0.5mm2 to 1mm2)	Tin plated	0643241049		0643251162	Ø1.40 min. / Ø2.15 Max.
		Gold plated	0643241149			
1 to 5	CP 2.8 (>1mm2 to 2mm2)	Tin plated	0643241039	/	Ø2.10 min. / Ø2.80 Max.	
		Gold plated	0643241139			
	CP 2.8 (>2mm2 to 3mm2)	Tin plated	0643241029		0643251188	Ø2.65 min. / Ø3.45 Max.
		Gold plated	0643241129			
CP 2.8 (>3mm2 to 5mm2)	Tin plated	0643241019	0643251196	Ø3.40 min. / Ø4.00 Max.		
	Gold plated	0643241119				

ACCORDING FPIR EC NO: G2009-0092 DRAWN: G. DESBRUERES 2008/10/23 CHK'D: O. PLESSIS 2008/11/05 APPR: C. BOUJEAN 2008/11/05	DESCRIPTION GENERAL TOLERANCES (UNLESS SPECIFIED) DIMENSION STYLE SCALE DESIGN UNITS FIRST ANGLE PROJECTION	4 PLACES ± --- ± --- 3 PLACES ± --- ± --- 2 PLACES ± 0.05 ± --- 1 PLACE ± 0.1 ± --- ANGULAR ± 2 °	DRAWN BY DATE G. DESBRUERES 2007/09/05 CHECKED BY DATE O. PLESSIS 2007/09/06 APPROVED BY DATE L. STICKEIR 2007/09/07	TITLE CMC FEMALE MODULE 53W GENERIC SALES DRAWING		
		MATERIAL NO. SEE SHEET 1	DOCUMENT NO. SD-64321-001	SHEET NO. 2 OF 2		
		DRAFT WHERE APPLICABLE MUST REMAIN WITHIN DIMENSIONS			Molex MOLEX INCORPORATED	
		THIS DRAWING CONTAINS INFORMATION THAT IS PROPRIETARY TO MOLEX INCORPORATED AND SHOULD NOT BE USED WITHOUT WRITTEN PERMISSION				