

**PLEASE CHECK WWW.MOLEX.COM FOR LATEST PART INFORMATION**

**Part Number:** [0945404008](#)  
**Status:** **Active**  
**Description:** 5.00mm (.197") Pitch, Wire-to-Wire, Wire-to-Tab, Receptacle, 8 Circuits

**Documents:**

[Drawing \(PDF\)](#) [RoHS Certificate of Compliance \(PDF\)](#)

**General**

Product Family	Crimp Housings
Series	<a href="#">94540</a>
Product Name	N/A

**Physical**

Breakaway	No
Gender	Female
Glow-Wire Compliant	No
Number of Rows	1
Packaging Type	Bag
Panel Mount	No
Pitch - Mating Interface (in)	0.196 In
Pitch - Mating Interface (mm)	5.00 mm
Temperature Range - Operating	N/A

**Material Info**

**EU RoHS**

**ELV and RoHS  
Compliant**

**REACH SVHC**

**Contains SVHC: No**

**Halogen-Free**

**Status**

**Not Reviewed**

**China RoHS**



**Need more information on product  
environmental compliance?**

Email [productcompliance@molex.com](mailto:productcompliance@molex.com)  
For a multiple part number RoHS Certificate of  
Compliance, [click here](#)

Please visit the [Contact Us](#) section for any  
non-product compliance questions.

**Search Parts in this Series**

[94540Series](#)

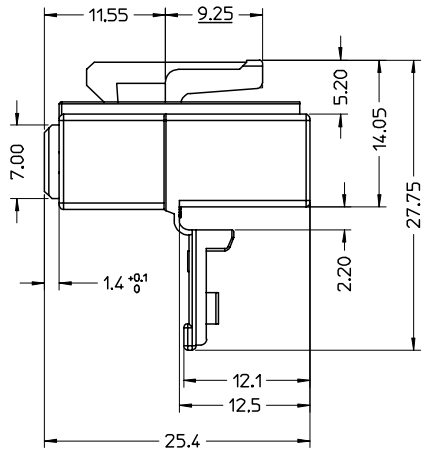
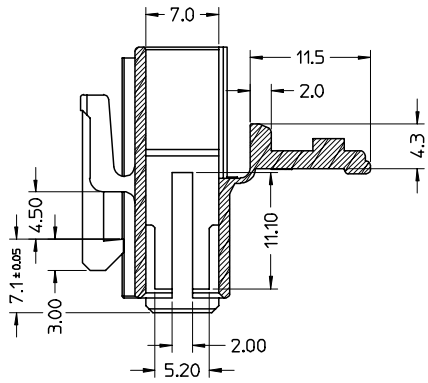
**Mates With**

[94213 Header](#)

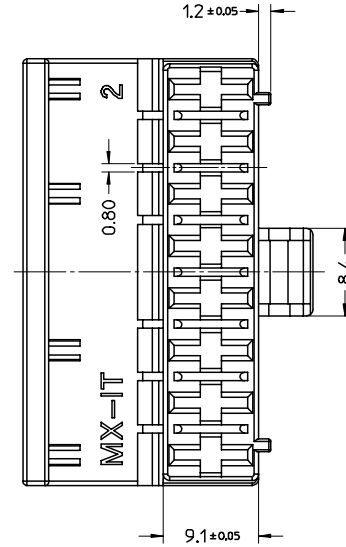
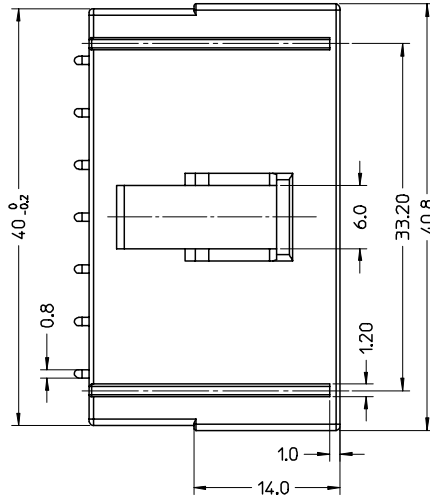
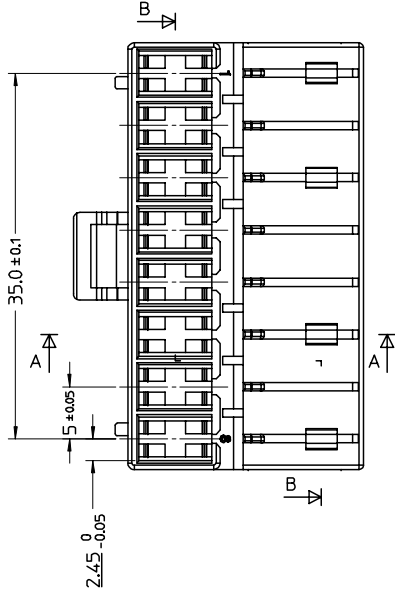
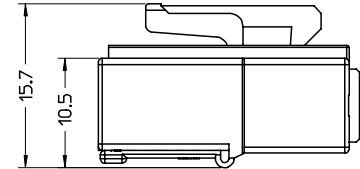
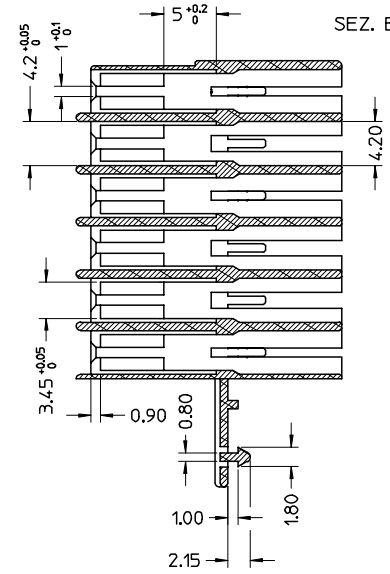
**Use With**

[94518 Terminal](#)

SEZ. A-A



SEZ. B-B



P/N	MATERIAL/COLOR
94540-7008	NYLON 6.6 V2 NATURAL
94540-4008	NYLON 6.6 GWT 750 °C sec/IEC 60335-1 TEST METHOD IEC 60695-2-11 NATURAL

IMBALLO: BOX CON SACCHETTO DI NYLON  
PACKAGING: BOX WITH PLASTIC BAG

SPQ: 1800 pz.

Std.description: FEM HOUSING W/LATCH+SEC.LOCK 8 CKT

REV	DESCRIPTION	QUALITY SYMBOLS		GENERAL TOLERANCES (UNLESS SPECIFIED)		DIMENSION STYLE		SCALE	DESIGN UNITS	FIRST ANGLE PROJECTION	
		mm	INCH	mm	INCH	MM ONLY	METRIC	⊕	□		
A2	ENTER DESCRIPTION EC NO: Z2006-0163 DRW: F.GOTTARDO 2006/03/30 CHK: C.RSANDANO 2006/03/30 APPR: G.ZUJIN 2006/04/03	4 PLACES	± ---	± ---	---	---	---	---	---	DRAWN BY DATE F.GOTTARDO 1999/05/12	
		3 PLACES	± ---	± ---	---	---	---	---	---	CHECKED BY DATE MTESTAGUZZA 1999/05/12	
		2 PLACES	± 0.1	± ---	---	---	---	---	---	APPROVED BY DATE RMARTUCCI 1999/05/12	
		1 PLACE	± 0.2	± ---	---	---	---	---	---	MATERIAL NO. DOCUMENT NO. SEE TABLE SD-94540-001	
		ANGULAR ± 2 °		DRAFT WHERE APPLICABLE MUST REMAIN WITHIN DIMENSIONS		SIZE A2		THIS DRAWING CONTAINS INFORMATION THAT IS PROPRIETARY TO MOLEX INCORPORATED AND SHOULD NOT BE USED WITHOUT WRITTEN PERMISSION		SHEET NO. 1 OF 1	