

PLEASE CHECK WWW.MOLEX.COM FOR LATEST PART INFORMATION

Part Number: [0444722252](#)
Status: **Active**
Description: 4.20mm (.165") Pitch Mini-Fit HCS™ Header, Dual Row, Vertical, with Snap-in Plastic Peg PCB Lock, 22 Circuits, PA Polyamide Nylon 6/6 94V-2, with Drain Holes

Documents:

3D Model	Product Specification PS-44476-001 (PDF)
Drawing (PDF)	RoHS Certificate of Compliance (PDF)
Packaging Specification (PDF)	

Agency Certification

CSA	LR19980
UL	E29179

General

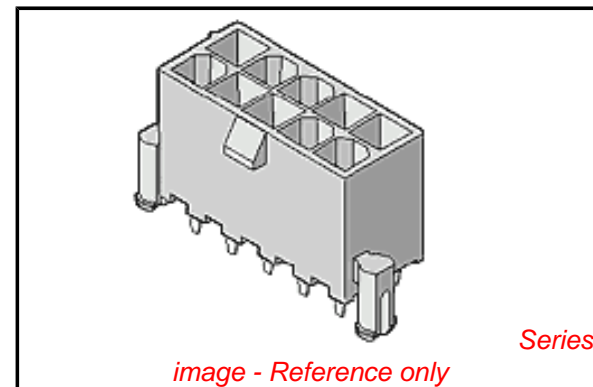
Product Family	PCB Headers
Series	44472
Application	Wire-to-Board
Comments	Square Pin Solder Type
Product Name	Mini-Fit HCS™

Physical

Breakaway	No
Circuits (Loaded)	22
Circuits (maximum)	22
Color - Resin	Natural
Durability (mating cycles max)	30
Flammability	94V-2
Glow-Wire Compliant	No
Material - Metal	High Performance Alloy (HPA)
Material - Plating Mating	Tin
Material - Plating Termination	Tin
Material - Resin	Nylon
Number of Rows	2
Orientation	Vertical
PCB Locator	Yes
PCB Retention	Yes
PCB Thickness Recommended (in)	0.070 In
PCB Thickness Recommended (mm)	1.80 mm
Packaging Type	Tray
Pitch - Mating Interface (in)	0.165 In
Pitch - Mating Interface (mm)	4.20 mm
Plating min: Mating (µin)	100
Plating min: Mating (µm)	2.50
Plating min: Termination (µin)	100
Plating min: Termination (µm)	2.50
Polarized to PCB	Yes
Shrouded	Partial
Stackable	No
Surface Mount Compatible (SMC)	No
Temperature Range - Operating	-40°C to +105°C
Termination Interface: Style	Through Hole

Electrical

Current - Maximum per Contact	11A
Voltage - Maximum	600V



EU RoHS

ELV and RoHS Compliant
REACH SVHC Contains SVHC: No
Halogen-Free
Status Not Reviewed

China RoHS



Need more information on product environmental compliance?

Email productcompliance@molex.com
 For a multiple part number RoHS Certificate of Compliance, [click here](#)

Please visit the [Contact Us](#) section for any non-product compliance questions.

Search Parts in this Series

[44472Series](#)

Mates With

[5557d](#)

Solder Process Data

Duration at Max. Process Temperature (seconds)	5
Lead-free Process Capability	Wave Capable (TH only)
Max. Cycles at Max. Process Temperature	1
Process Temperature max. C	240

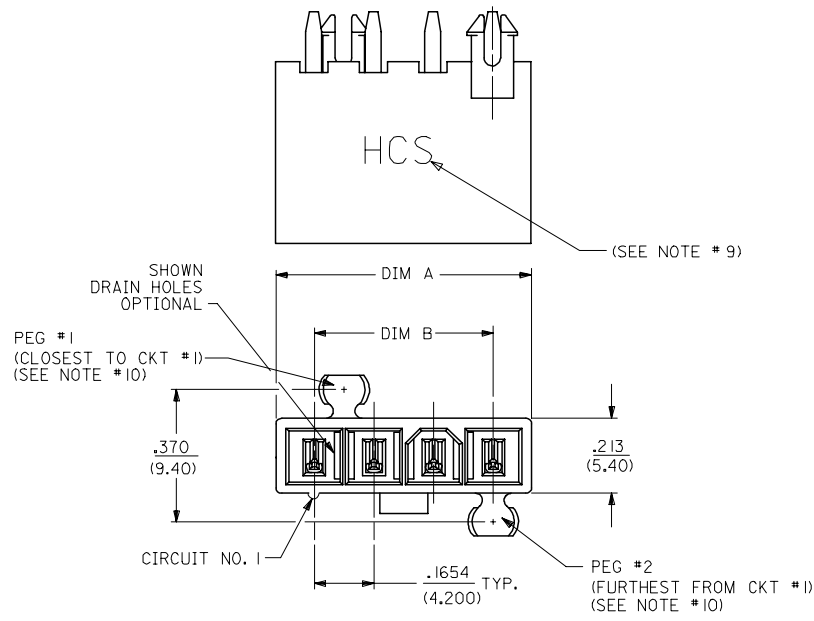
Material Info**Reference - Drawing Numbers**

Product Specification	PS-44476-001, RPS-44476-001
Sales Drawing	SDA-44472-****

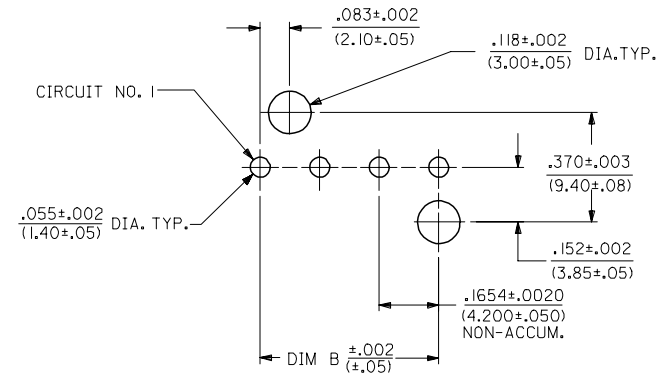
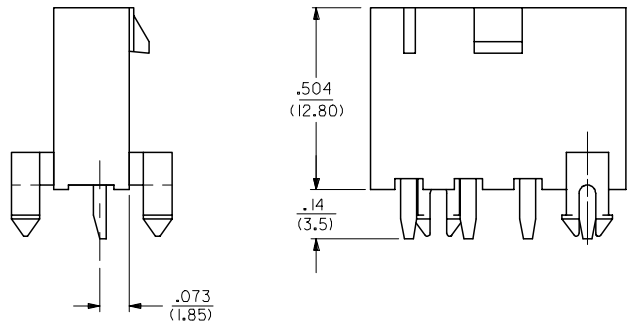
This document was generated on 03/24/2010

PLEASE CHECK WWW.MOLEX.COM FOR LATEST PART INFORMATION

CKT SIZE	DIM A	DIM B
4	.709 (18.00)	.496 (12.60)
5	.874 (22.20)	.661 (16.80)
6	1.039 (26.40)	.827 (21.00)
7	1.205 (30.60)	.992 (25.20)
8	1.370 (34.80)	1.157 (29.40)
9	1.535 (39.00)	1.323 (33.60)
10	1.701 (43.20)	1.488 (37.80)
11	1.866 (47.40)	1.654 (42.00)
12	2.031 (51.60)	1.819 (46.20)



- NOTES:
- MATERIALS:
 - HOUSING:
 - *1*=NYLON 6/6, UL94 V-2, COLOR: NATURAL
 - *2*=NYLON 6/6, UL94 V-0, COLOR: NATURAL
 - *3*=NYLON 6/6, UL94 V-2, COLOR: BLACK
 - TERMINALS:
 - COPPER ALLOY
 - TERMINAL PLATING:
 - *1*=.000100/(0.00254) MIN. BRIGHT TIN OVER .000050/(0.00127) MIN. NICKEL
 - *2*=.000030/(0.00076) MIN. SELECT GOLD AND .000100/(0.00254) MIN. SELECT MATTE TIN OVER .000050/(0.00127) MIN. NICKEL OVERALL
 - *3*=.000100/(0.00254) MIN. MATTE TIN OVER .000050/(0.00127) MIN. NICKEL
 - *THE PRIMARY SHIPPING CARTON WILL BE LABELED "ELV AND RoHS COMPLIANT"; CARTONS WITHOUT THIS LABEL MAY CONTAIN PRODUCT WITH TIN-LEAD PLATING.
 - PRODUCT SPECIFICATION: PS-44476-001
 - PACKAGING: SEE CHARTS
 - PART MATES WITH MINI-FIT JR. RECEPTACLE NO. 5557.
 - PART IS NOT DESIGNED FOR CURRENT SHARING.
 - PARTS ARE NOT TO BE MATED OR UN-MATED WHILE CIRCUITS ARE LIVE.
 - 44472-2470 ONLY FOR WIDER LOCKING RAMP.
 - PARTS PRODUCED AFTER JULY 1, 2004 WILL HAVE "HCS" MARKING INSTEAD OF BLACK STRIPE.
 - SEE CHART FOR PARTS WITH PEGS REMOVED.
 - PART CONFORMS TO CLASS 'B' REQUIREMENTS OF COSMETIC SPECIFICATION PS-45499-002.



RECOMMENDED HOLE LAYOUT FOR
 .070/(1.78) MAX. THICK P. C. BOARD
 VIEWED FROM COMPONENT SIDE

10	L
9	L
8	L
7	L
6	L
5	L
4	L
3	L
2	L
1	L
SHT	REV

LEGEND:

44472 - ** **

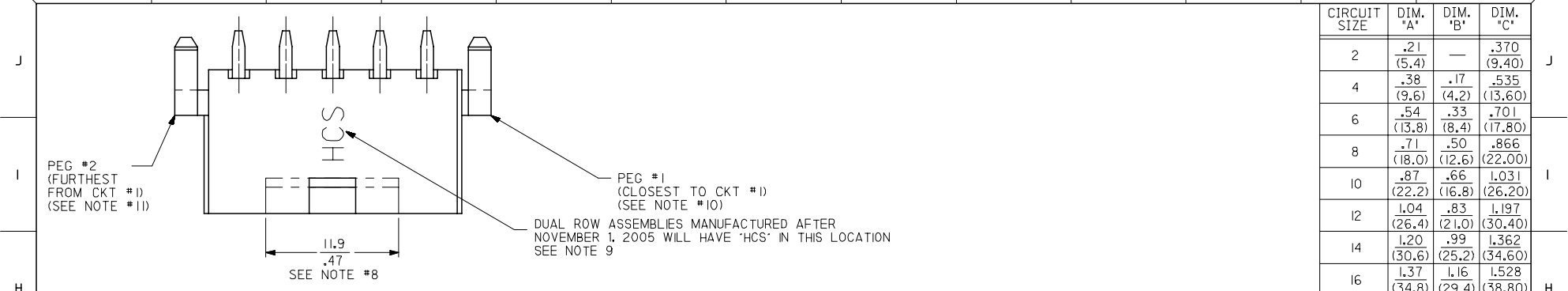
CIRCUIT SIZE
 (04-12 FOR SINGLE ROW)
 (02-24 FOR DUAL ROW)

ASSEMBLY VERSION
 (01 THRU 49 FOR SINGLE ROW)
 (50 THRU 99 FOR DUAL ROW)

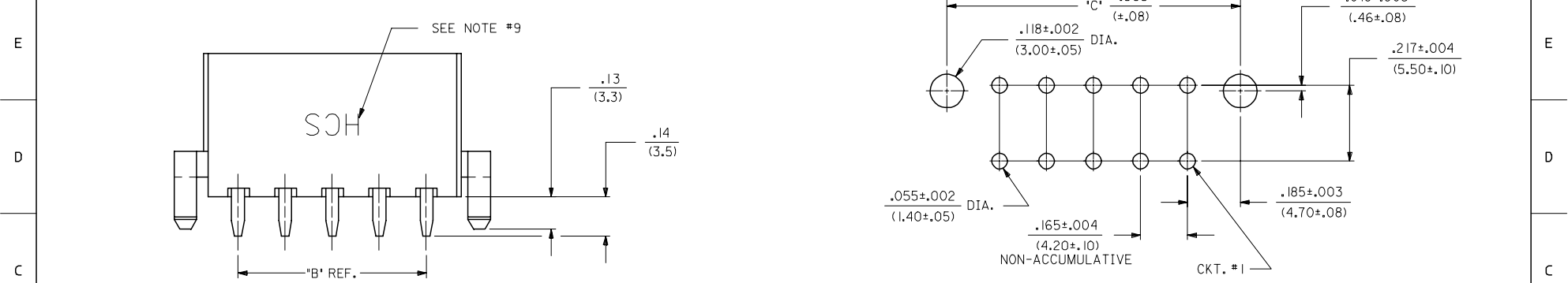
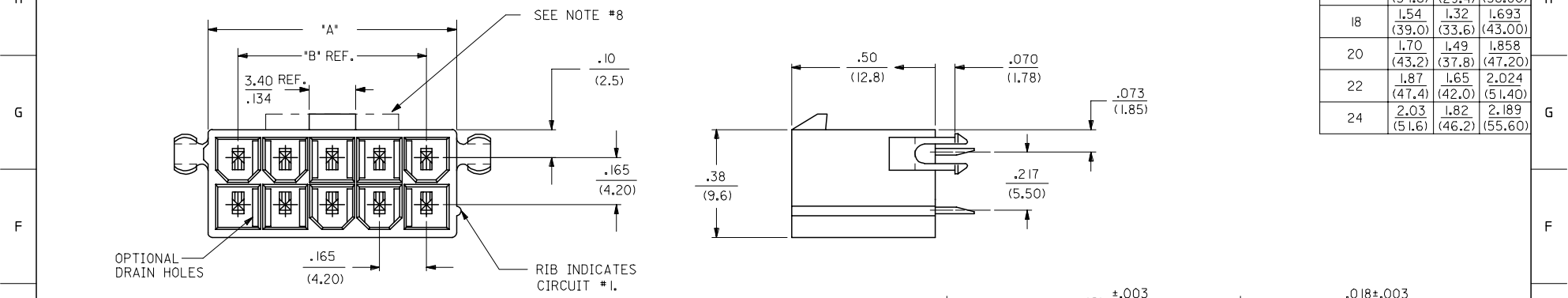
SEE SHT. 2 FOR DUAL ROW
 * THE CHART FOR SINGLE ROW PRODUCT IS ON PAGE 7

STANDARDIZE NOTES EC NO: UCP2008-0153 2007/09/26 DRW:LSCHMIDT CHKD:ADERR 2007/09/26 APPR:FSM TH 2007/09/26	QUALITY SYMBOLS =0 =0	GENERAL TOLERANCES (UNLESS SPECIFIED)		DIMENSION STYLE		SCALE	DESIGN UNITS	THIRD ANGLE PROJECTION	
		mm	INCH	IN/MM	DATE	4:1	METRIC		
DRAWN BY GEP 1994/07/25 CHECKED BY RJF 1994/07/25 APPROVED BY RJF 1994/07/25 MATERIAL NO. DOCUMENT NO. SDA-44472-**** SHEET NO. 1 OF 10	4 PLACES	± .005	± .005	DRAWN BY	DATE	TITLE MINI-FIT VERT HDR ASSY W & W/O PEGS/DRAIN HOLES SINGLE AND DUAL ROW	MOLEX MOLEX INCORPORATED		
	3 PLACES	± .015	± .015	CHECKED BY	DATE				
	2 PLACES	± 0.38	± .020	APPROVED BY	DATE				
	1 PLACE	± 0.50	± .020	MATERIAL NO.	DOCUMENT NO.				
	ANGULAR ±1/2°								
DRAFT WHERE APPLICABLE MUST REMAIN WITHIN DIMENSIONS		SEE CHARTS							

13 12 11 10 9 8 7 6 5 4 3 2 1



CIRCUIT SIZE	DIM. 'A'	DIM. 'B'	DIM. 'C'
2	.21 (5.4)	—	.370 (9.40)
4	.38 (9.6)	.17 (4.2)	.535 (13.60)
6	.54 (13.8)	.33 (8.4)	.701 (17.80)
8	.71 (18.0)	.50 (12.6)	.866 (22.00)
10	.87 (22.2)	.66 (16.8)	1.031 (26.20)
12	1.04 (26.4)	.83 (21.0)	1.197 (30.40)
14	1.20 (30.6)	.99 (25.2)	1.362 (34.60)
16	1.37 (34.8)	1.16 (29.4)	1.528 (38.80)
18	1.54 (39.0)	1.32 (33.6)	1.693 (43.00)
20	1.70 (43.2)	1.49 (37.8)	1.858 (47.20)
22	1.87 (47.4)	1.65 (42.0)	2.024 (51.40)
24	2.03 (51.6)	1.82 (46.2)	2.189 (55.60)



RECOMMENDED HOLE LAYOUT FOR .070/(1.78) MAX. THICK P. C. BOARD
VIEWED FROM COMPONENT SIDE

SEE SHT. I FOR SINGLE ROW

STANDARDIZE NOTES EC NO: UCP2008-0153 DRAWN: LSCHM IDT 2007/09/26 CHKD: ADERR 2007/09/26 APPR: FSM TH 2007/09/26 REV DESCRIPTION	QUALITY SYMBOLS 	GENERAL TOLERANCES (UNLESS SPECIFIED) <table border="1"> <tr> <th></th> <th>mm</th> <th>INCH</th> </tr> <tr> <td>4 PLACES</td> <td>± .15</td> <td>± .005</td> </tr> <tr> <td>3 PLACES</td> <td>± .10</td> <td>± .004</td> </tr> <tr> <td>2 PLACES</td> <td>± .08</td> <td>± .003</td> </tr> <tr> <td>1 PLACE</td> <td>± .05</td> <td>± .002</td> </tr> </table>		mm	INCH	4 PLACES	± .15	± .005	3 PLACES	± .10	± .004	2 PLACES	± .08	± .003	1 PLACE	± .05	± .002	DIMENSION STYLE IN/MM	SCALE 4:1	DESIGN UNITS METRIC	THIRD ANGLE PROJECTION
		mm	INCH																		
	4 PLACES	± .15	± .005																		
	3 PLACES	± .10	± .004																		
2 PLACES	± .08	± .003																			
1 PLACE	± .05	± .002																			
DRAFT WHERE APPLICABLE MUST REMAIN WITHIN DIMENSIONS		SEE CHARTS	MINI-FIT VERT HDR ASSY W & W/O PEGS/DRAIN HOLES SINGLE AND DUAL ROW		MOLEX INCORPORATED																
MATERIAL NO.		DOCUMENT NO.		SHEET NO.		2 OF 10															
THIS DRAFTING CONTAINS INFORMATION THAT IS PROPRIETARY TO MOLEX INCORPORATED AND SHOULD NOT BE USED WITHOUT WRITTEN PERMISSION		SDA-44472-****		MOLEX INCORPORATED																	

	13	12	11	10	9	8	7	6	5	4	3	2	1		
J	PLATING: I (SEE NOTE 2)			PLATING: I (SEE NOTE 2)			PLATING: I (SEE NOTE 2)			PLATING: I (SEE NOTE 2)					
	DRAINS: WITHOUT DRAIN HOLES			DRAINS: WITHOUT DRAIN HOLES			DRAINS: WITH DRAIN HOLES			DRAINS: WITH DRAIN HOLES					
	PEGS: WITH PEGS			PEGS: WITH PEGS			PEGS: WITH PEGS			PEGS: WITH PEGS					
	MAT'L: 94V-2 [NATURAL]			MAT'L: 94V-0 [NATURAL]			MAT'L: 94V-2 [NATURAL]			MAT'L: 94V-0 [NATURAL]					
	PACKAGING: PK-44472-001			PACKAGING: PK-44472-001			PACKAGING: PK-44472-001			PACKAGING: PK-44472-001					
I	ITEM NO.			ITEM NO.			ITEM NO.			ITEM NO.			ITEM NO.		
	44472-0250			44472-0251			44472-0252			44472-0253			44472-0254		
	44472-0450			44472-0451			44472-0452			44472-0453			44472-0454		
	44472-0650			44472-0651			44472-0652			44472-0653			44472-0654		
	44472-0850			44472-0851			44472-0852			44472-0853			44472-0854		
	44472-1050			44472-1051			44472-1052			44472-1053			44472-1054		
	44472-1250			44472-1251			44472-1252			44472-1253			44472-1254		
	44472-1450			44472-1451			44472-1452			44472-1453			44472-1454		
	44472-1650			44472-1651			44472-1652			44472-1653			44472-1654		
	44472-1850			44472-1851			44472-1852			44472-1853			44472-1854		
	44472-2050			44472-2051			44472-2052			44472-2053			44472-2054		
	44472-2250			44472-2251			44472-2252			44472-2253			44472-2254		
	44472-2450			44472-2451			44472-2452			44472-2453			44472-2454		

G	PLATING: I (SEE NOTE 2)			PLATING: I (SEE NOTE 2)			PLATING: I (SEE NOTE 2)			PLATING: I (SEE NOTE 2)					
	DRAINS: WITHOUT DRAIN HOLES			DRAINS: WITHOUT DRAIN HOLES			DRAINS: WITHOUT DRAIN HOLES			DRAINS: WITHOUT DRAIN HOLES					
	PEGS: WITHOUT PEGS			PEGS: WITHOUT PEGS			PEGS: WITHOUT PEGS			PEGS: WITHOUT PEGS					
	MAT'L: 94V-2 [NATURAL]			MAT'L: 94V-0 [NATURAL]			MAT'L: 94V-2 [NATURAL]			MAT'L: 94V-0 [NATURAL]					
	PACKAGING: PK-44472-001			PACKAGING: PK-44472-001			PACKAGING: PK-44472-001			PACKAGING: PK-44472-001					
F	ITEM NO.			ITEM NO.			ITEM NO.			ITEM NO.			ITEM NO.		
	44472-0254			44472-0255			44472-0256			44472-0257			44472-0258		
	44472-0454			44472-0455			44472-0456			44472-0457			44472-0458		
	44472-0654			44472-0655			44472-0656			44472-0657			44472-0658		
	44472-0854			44472-0855			44472-0856			44472-0857			44472-0858		
	44472-1054			44472-1055			44472-1056			44472-1057			44472-1058		
	44472-1254			44472-1255			44472-1256			44472-1257			44472-1258		
	44472-1454			44472-1455			44472-1456			44472-1457			44472-1458		
	44472-1654			44472-1655			44472-1656			44472-1657			44472-1658		
	44472-1854			44472-1855			44472-1856			44472-1857			44472-1858		
	44472-2054			44472-2055			44472-2056			44472-2057			44472-2058		
	44472-2254			44472-2255			44472-2256			44472-2257			44472-2258		
	44472-2454			44472-2455			44472-2456			44472-2457			44472-2458		

* ITEMS PRECEDED BY AN "X" ARE NOT AVAILABLE.

PLATING NOTE EC NO: UCP2008-0153 DRW: NLSCHMI DT 2007/09/26 CHKD: ADERR 2007/09/26 APPR: FSM TH 2007/09/26 REV:	QUALITY SYMBOLS 	GENERAL TOLERANCES (UNLESS SPECIFIED)		DIMENSION STYLE IN/MM		SCALE ---	DESIGN UNITS METRIC	THIRD ANGLE PROJECTION	
		4 PLACES ± --- ± ---	DRAWN BY LEM	DATE 1999/02/22	TITLE MINI-FIT VERT HDR ASSY W & W/O PEGS/DRAIN HOLES SINGLE AND DUAL ROW				
		3 PLACES ± --- ± ---	CHECKED BY MAB	DATE 1999/02/22	MATERIAL NO. SEE CHART				
		2 PLACES ± --- ± ---	APPROVED BY RRE	DATE 1999/02/22	DOCUMENT NO. SDA-44472-****				
1 PLACE ± --- ± ---		ANGULAR ±1/2°		SHEET NO. 3 OF 10					
DRAFT WHERE APPLICABLE MUST REMAIN WITHIN DIMENSIONS				THIS DRAWING CONTAINS INFORMATION THAT IS PROPRIETARY TO MOLEX INCORPORATED AND SHOULD NOT BE USED WITHOUT WRITTEN PERMISSION		MOLEX MOLEX INCORPORATED			