

PLEASE CHECK WWW.MOLEX.COM FOR LATEST PART INFORMATION

Part Number: [0533144065](#)
Status: **Active**
Description: 2.00mm (.079") Pitch Mi II™ System Wire-to-Board Header, Dual Row, Vertical, with Eject Levers, Lead-free, 40 Circuits

Documents:

3D Model	Product Specification PS-51160-006 (PDF)
Drawing (PDF)	Product Specification PS-52478-002 (PDF)
Product Specification PS-51089-005 (PDF)	RoHS Certificate of Compliance (PDF)

Agency Certification

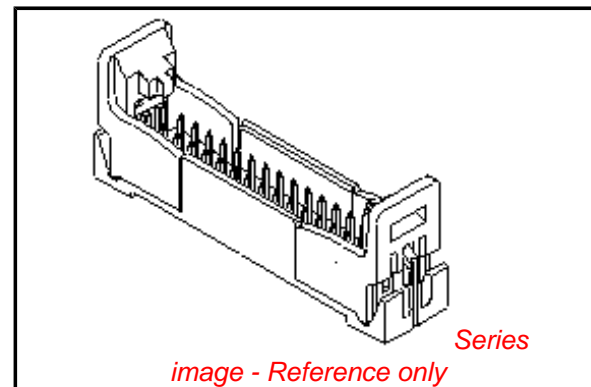
CSA	LR19980
UL	E29179

General

Product Family	PCB Headers
Series	53314
Application	Wire-to-Board
Product Name	Mi II™

Physical

Breakaway	No
Circuits (Loaded)	40
Circuits (maximum)	40
Color - Resin	Gray
Durability (mating cycles max)	30
First Mate / Last Break	No
Flammability	94V-0
Glow-Wire Compliant	No
Guide to Mating Part	No
Keying to Mating Part	None
Lock to Mating Part	Yes
Material - Metal	Brass
Material - Plating Mating	Tin
Material - Plating Termination	Tin
Material - Resin	Nylon, Polyester
Number of Rows	2
Orientation	Vertical
PC Tail Length (in)	0.138 In
PC Tail Length (mm)	3.50 mm
PCB Locator	Yes
PCB Retention	None
PCB Thickness Recommended (in)	0.062 In
PCB Thickness Recommended (mm)	1.60 mm
Packaging Type	Tray
Pitch - Mating Interface (in)	0.079 In
Pitch - Mating Interface (mm)	2.00 mm
Plating min: Mating (µin)	40
Plating min: Mating (µm)	1.00
Plating min: Termination (µin)	40
Plating min: Termination (µm)	1.00
Polarized to PCB	Yes
Shrouded	Fully
Stackable	No
Surface Mount Compatible (SMC)	No
Temperature Range - Operating	-40°C to +105°C



EU RoHS

ELV and RoHS Compliant
REACH SVHC
 Not Reviewed
Halogen-Free Status

China RoHS



Not Halogen-Free

Need more information on product environmental compliance?

Email productcompliance@molex.com
 For a multiple part number RoHS Certificate of Compliance, [click here](#)

Please visit the [Contact Us](#) section for any non-product compliance questions.

Search Parts in this Series

[53314Series](#)

Mates With

[52478](#) Wire-to-Board IDT Receptacle. [51089](#) Crimp Terminal

Termination Interface: Style

Through Hole

Electrical

Current - Maximum per Contact

2A

Voltage - Maximum

125V

Material Info

Reference - Drawing Numbers

Product Specification

PS-51089-005, PS-51160-006, PS-52478-002,
RPS-51160-004, RPS-51160-005

Sales Drawing

SD-53314-**15, SD-53314-001

This document was generated on 04/16/2010

PLEASE CHECK WWW.MOLEX.COM FOR LATEST PART INFORMATION

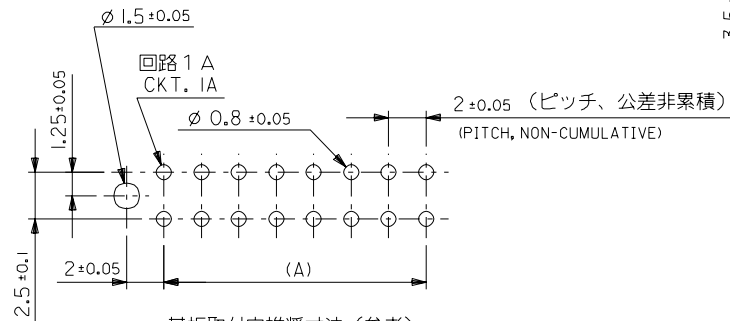
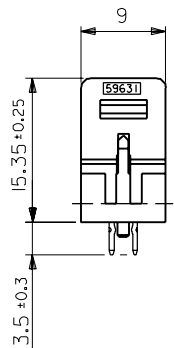
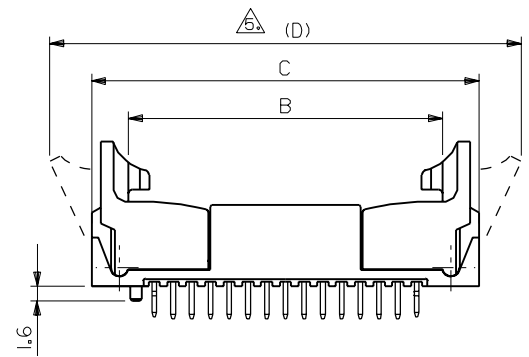
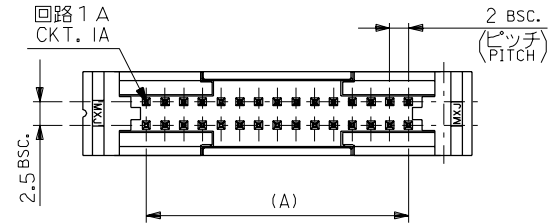
ENG. NO. SD-53314-**-15

EDP NO. DIMENSIONS IN METRIC DO NOT SCALE DRAWING

8 7 6 5 4 3 2 1

注記
NOTES

- 材料: ハウジング: ガラス入りポリエステル
MATERIALS: HOUSING: G.F. POLYESTER, UL94V-0, GRAY
ピン: 黄銅
PIN: BRASS (0.5mm, SQUARE)
- 仕上げ: Sn-Pbメッキ
PLATING: TIN-LEAD: 2-3 μm
銅下地メッキ: 1-2 μm
OVER COPPER: 1-2 μm
- 適合メスコネクター: 51089-***5, 52478-***15,
MATING CONNECTORS: 51089-***5, 52478-***15,
- 推奨基板厚: RECOMMENDED PCB THICKNESS: t=1.6mm
⚠ イジェクターが開いている状態。
EJECTORS IN OPEN POSITION



基板取付穴推奨寸法 (参考)
RECOMMENDED PCB HOLE DIM.(REF.)

80.4	71.4	63.6	58	53314-6015	60
70.4	61.4	53.6	48	⚡ -5015	50
60.4	51.4	43.6	38	⚡ -4015	40
54.4	45.4	37.6	32	⚡ -3415	34
50.4	41.4	33.6	28	53314-3015	30
(D)	C	B	(A)	ENG. NO.	CKT.

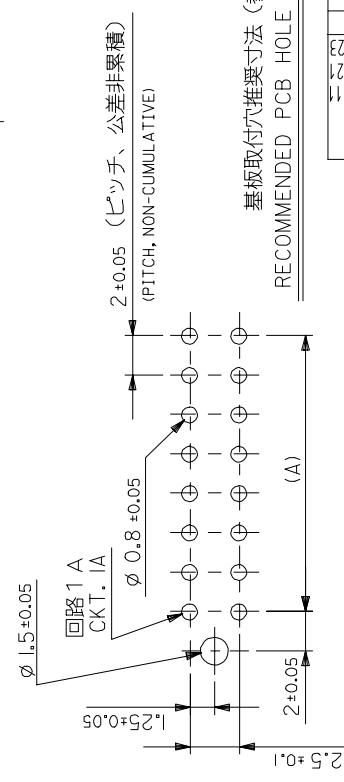
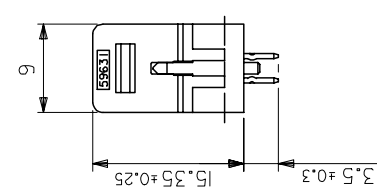
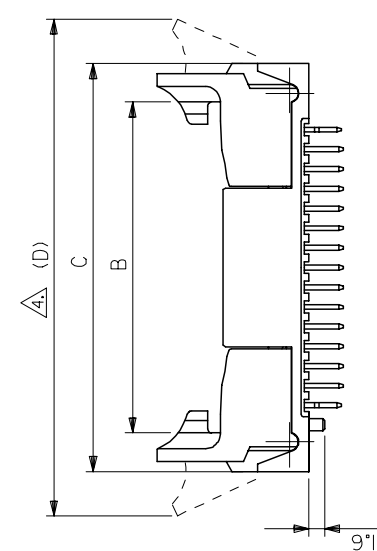
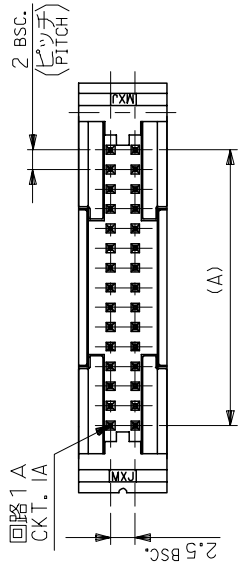
角度 ANGLE	±3°	2	RELEASED	GMS	H.I	92/2/21
30以上 OVER	+0.3	1	REVISED	GMS	H.I	91/7/30
10以上 30未満 UNDER	+0.25	0	PROPOSED	GMS	H.I	91/3/5
10未満 UNDER	+0.2			GMS	H.I	90/11/6
一般公差 GENERAL TOLERANCES				記号 LTR	変更内容 REVISION RECORD	DR. CHK. DATE

材料 MATERIAL	注記参照 SEE NOTES
仕上げ FINISH	注記参照 SEE NOTES
適用電線範囲 WIRE RANGE	—
被覆外径 INS. RANGE	—
DRAWN BY	CHK'D BY
APP'D BY	尺度 SCALE

MOLEX-JAPAN CO.,LTD. 日本モレックス株式会社	
EDP. NO.	—
ENG. NO.	SD-53314-**-15
REV	A
TITLE 名称	
2mm W-to-B Dual Row	
Straight Header w/ Ejector Ass'y.	

THIS DRAWING CONTAINS INFORMATION THAT IS PROPRIETARY TO MOLEX(JAPAN) AND SHOULD NOT BE USED WITHOUT WRITTEN PERMISSION
本図面は日本モレックス(株)の所有する情報を含むもので 当社の許可なく複製を禁止する。

ZF3-F110_027J53314.DGN



無鉛
LEAD FREE

80.4	71.4	63.6	58	53314-6065	60
70.4	61.4	53.6	48	-5065	50
60.4	51.4	43.6	38	-4065	40
54.4	45.4	37.6	32	-3465	34
50.4	41.4	33.6	28	53314-3065	30

DRAWN BY A. IDA	DATE 2003/05/07	SCALE 2:1	DESIGN UNITS METRIC	THIRD ANGLE PROJECTION
	CHECKED BY J. MIYAZAWA			
APPROVED BY Y. ITO	DATE 2003/05/07	TITLE 2.0 W/B DUAL ROW S/T HEADER WITH EJECT ASSY		
MATERIAL NO. SEE CHART	DOCUMENT NO. SD-53314-001	MOLEX INCORPORATED		
SIZE A3	THIS DRAWING CONTAINS INFORMATION THAT IS PROPRIETARY TO MOLEX INCORPORATED AND SHOULD NOT BE USED WITHOUT WRITTEN PERMISSION			

注記
NOTES

1. 材料:
MATERIALS:
ウエハー: ガラス入り 66 ナイロン
UL94V-0 色: グレー
WAFER : GLASS FILL 66 NYLON
UL94V-0, COLOR : GRAY
ピン : 黄銅、スズメッキ
PIN : BRASS, PRE-TINNED
2. 適合メスコネクタ:
MATING CONNECTORS : 51089-***5, 52478-***15,
3. 推奨基板厚:
RECOMMENDED PCB THICKNESS : t
インジェクターが開いている状態。
EJECTORS IN OPEN POSITION
4. メッキ仕様
TERMINAL PLATING
表面メッキ : スズメッキ 1µm MIN.
SURFACE PLATE : TIN 1µm MIN.
下地メッキ : ニッケルメッキ 0.5µm MIN.
UNDER PLATE : NICKEL 0.5µm MIN.

基板取付穴推奨寸法 (参考)
RECOMMENDED PCB HOLE DIM.(REF.)

GENERAL TOLERANCES (UNLESS SPECIFIED)	10 UNDER ± 0.2
	10 OVER 30 UNDER ± 0.25
	30 OVER ± 0.3
ANGULAR ± 3°	
DRAFT WHERE APPLICABLE MUST REMAIN WITHIN DIMENSIONS	

注記参照
SEE NOTES

MATERIAL
材料