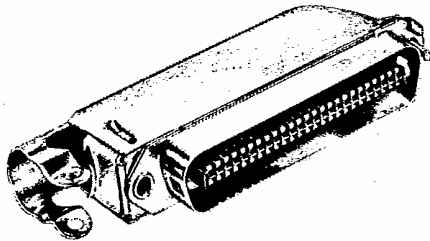
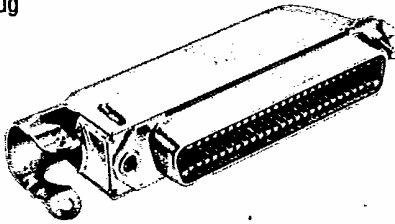


**Miniature Ribbon
Military (MIL-C-83515)
Metal Shell**

**.085" (2.16mm) Density
Solder
90°**



Plug



Socket

Features

- Reliable Solder Type terminations
- Designed for cable-to-cable, cable-to-panel, and cable-to-PC board applications
- Available in plug and socket styles
- Contact positions: 50
- Captivated 4-40 screw type latching
- Cable clamp mounted to connector for improved strain relief
- Connector and hood sold as complete assembly
- Mates with industry compatible connectors
- Meets applicable requirements of MIL-C-83515

Performance Data

Materials

Insulation Material: Diallyl phthalate type MDG per MIL-M14, blue, UL 94V-0

Contact Material: Copper alloy

Contact Plating: 30 μinch gold over 50 μinch nickel

Shell Material: Steel

Shell Plating: Zinc

Hood Material: Steel

Hood Plating: Zinc

Electrical Characteristics

Withstanding Voltage: Per EIA Standard RS364, TP20

Current Rating: 5 Amps

Contact Resistance: Per EIA Standard RS364, TP6

Low Level Contact Resistance: Per EIA Standard RS364, TP23

Insulation Resistance: Per EIA Standard RS364, TP21
Initial: 5000 Megohms minimum
After Moisture: 1000 Megohms minimum

Mechanical Characteristics

Mating/Unmating Force:

No. of Contacts	Maximum Mating Force With Latches		Minimum Unmating Force Without Latches	
	Lbs	Kg	Lbs	Kg
50	32	14.53	7	3.18

Environmental Characteristics

Shock: Per EIA Standard RS364, TP27, Condition A (50g peak)

Vibration: Per EIA Standard RS364, TP28, Condition A

Moisture Resistance: Per EIA Standard RS364, TP31, Test Condition B with following details and exceptions:
a) Step 7b—not required; b) no drip loops in the wires

Impact Test: Per EIA Standard RS364, TP42

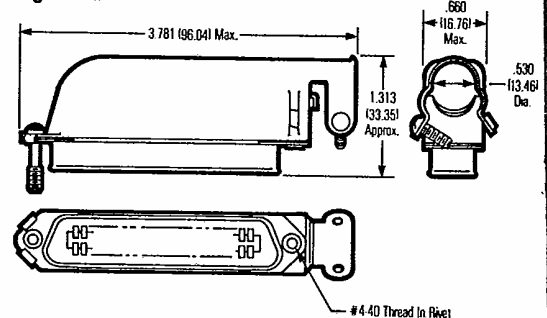
Operating Temperature: -40°C to +105°C

Thermal Shock: Per EIA Standard RS364, TP32

Accessories

The only accessories needed for metal shell, solder miniature ribbon connectors are dust covers. See page 35 for dust cover ordering information.

High Hood



Ordering Information

No. of Contacts	High Barrier With Hood	Low Barrier With Hood
	Part No.	Part No.
50 Plug	M83515/3-09	M83515/3-04
50 Socket	M83515/4-09	M83515/4-04