

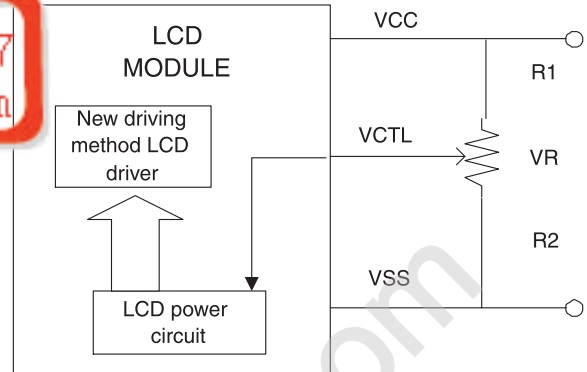
AT-320240Q1 (3.8"QVGA) • 320x240 dots 1/240 Duty

FEATURE

- All in one solution.
- Construction: EL Backlight, EL driver, Touch Panel, Touch Panel Controller
- Option: Backlight, EL driver, Touch Panel, Touch Panel Controller
- Built-in Controller / Pure driver.
- 5.5V or 3.3V single power input. Built-in DC/DC converter for LCD driving. Ultra Low Power Consumption
- Normal / Extended temperature range

液晶之友 电话: 020-33819057
www.lcdfriends.com

POWER SUPPLY



ELECTRICAL CHARACTERISTICS

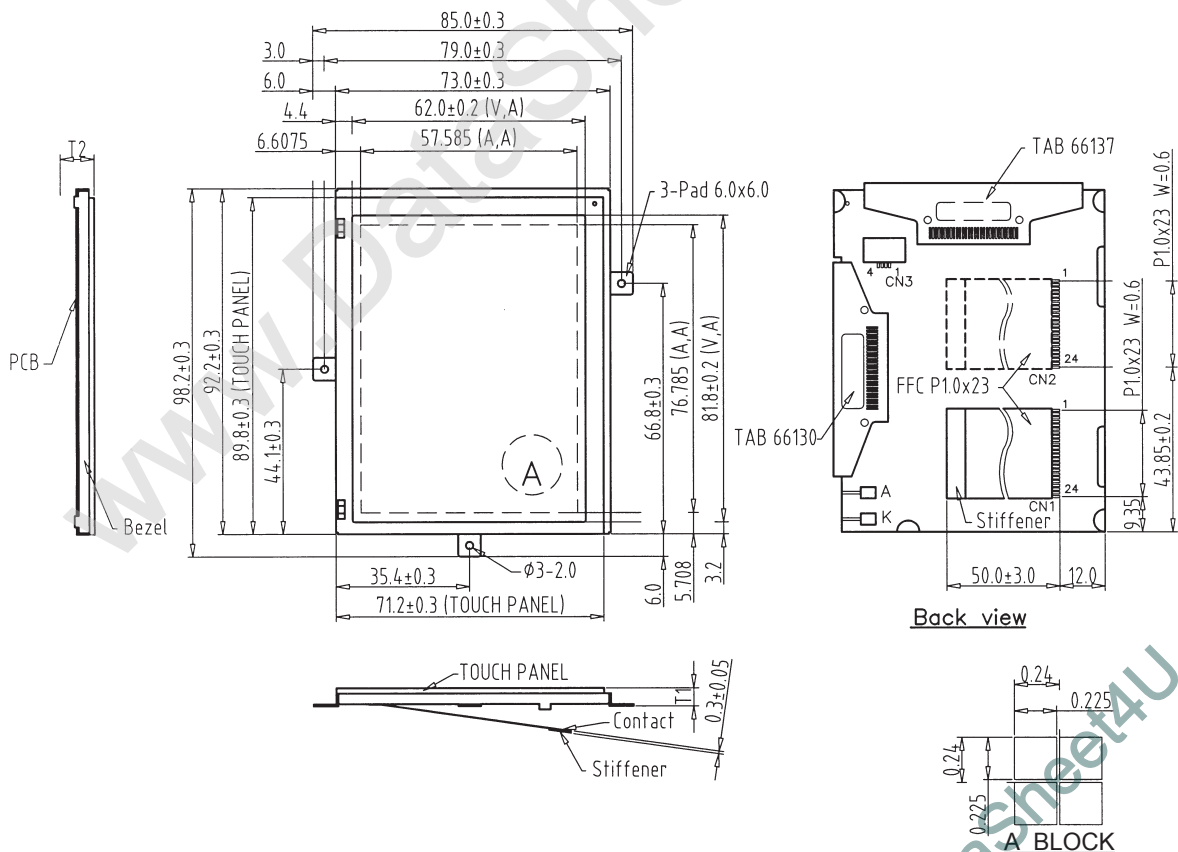
Parameter	Symbol	Condition	Typ. Value	Unit.
LCD Driving Voltage	VADJ-VSS	25°C	22.9	V
Supply Current (Controller)	IDD	VDD=5V	25	mA
Supply Current (Driver)	IDD	VDD=5V	1.5	mA

BUILT-IN CONTROLLER

1	2	3	4	5	6	7	8	9	10	11	12
/RESET	/RD	/WR	/CS	A0	DB0	DB1	DB2	DB3	DB4	DB5	DB6
13	14	15	16	17	18	19	20	21	22	23	24
DB7	VDD	VSS	VCTL	EL_ON	SK	D0	DI	CS	INT	EL1	EL2

PURE DRIVER

1	2	3	4	5	6	7	8	9	10	11	12
D0	D1	D2	D3	/DISPOFF	FLM	M	LP	CP	VCC	VSS	EL_ON
13	14	15	16	17	18	19	20	21	22	23	24
VCTL/RESET	SK	D0	DI	CS	INTEL	EL1	EL2	NC	NC	NC	NC



THICKNESS:

VERSION	T1	T2
EL BACKLIGHT	3.8 ± 0.3	7.6Max
Touch Panel	5.2 ± 0.3	9.0Max

Connector

CN1/2: Molex: 52207-2490
AMP: 2487951-4