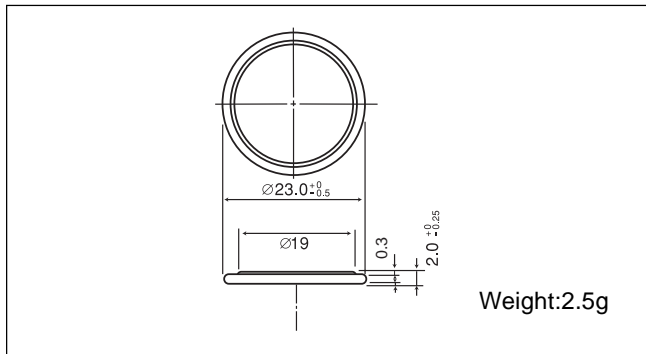


Poly-carbonmonofluoride Lithium Coin Batteries: Individual Specifications

BR2320

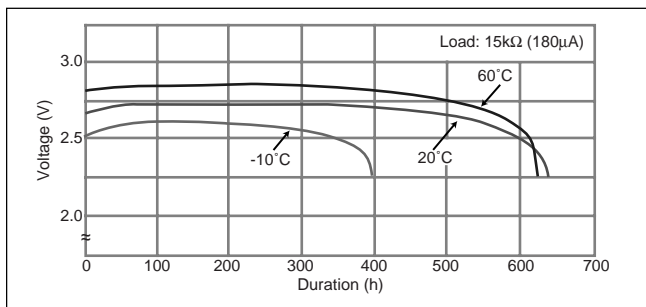
■ Dimensions(mm)



■ Specification

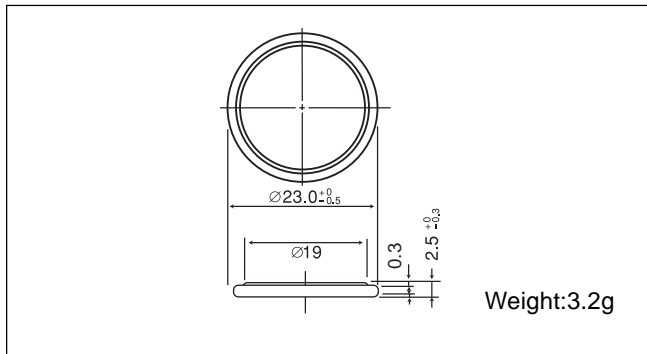
Nominal voltage (V)	3
Nominal capacity (mAh)	110
Continuous standard load (mA)	0.03
Operating temperature (C)	-30 ~ +80

■ Temperature Characteristics



BR2325

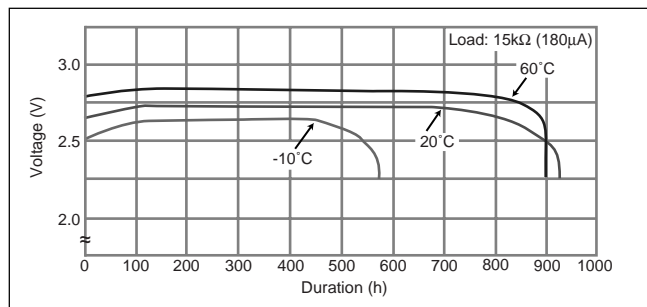
■ Dimensions(mm)



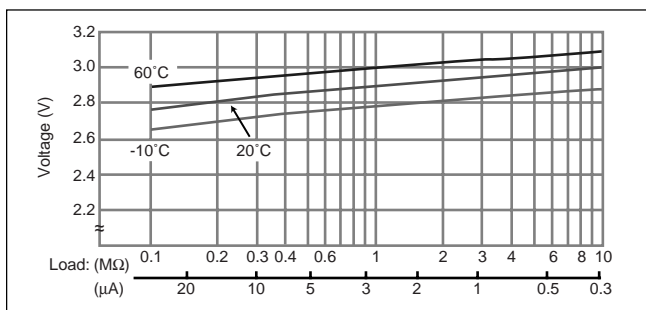
■ Specification

Nominal voltage (V)	3
Nominal capacity (mAh)	165
Continuous standard load (mA)	0.03
Operating temperature (C)	-30 ~ +80

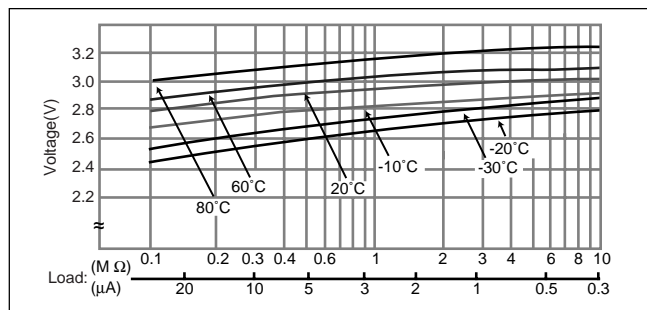
■ Temperature Characteristics



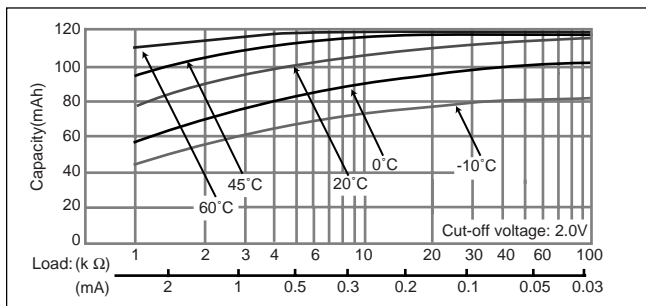
■ Operating voltage vs. load resistance (voltage at 50% discharge depth)



■ Operating voltage vs. load resistance (voltage at 50% discharge depth)



■ Capacity vs. load resistance



■ Capacity vs. load resistance

