

To all our customers

Regarding the change of names mentioned in the document, such as Hitachi Electric and Hitachi XX, to Renesas Technology Corp.

The semiconductor operations of Mitsubishi Electric and Hitachi were transferred to Renesas Technology Corporation on April 1st 2003. These operations include microcomputer, logic, analog and discrete devices, and memory chips other than DRAMs (flash memory, SRAMs etc.) Accordingly, although Hitachi, Hitachi, Ltd., Hitachi Semiconductors, and other Hitachi brand names are mentioned in the document, these names have in fact all been changed to Renesas Technology Corp. Thank you for your understanding. Except for our corporate trademark, logo and corporate statement, no changes whatsoever have been made to the contents of the document, and these changes do not constitute any alteration to the contents of the document itself.

Renesas Technology Home Page: <http://www.renesas.com>

Renesas Technology Corp.
Customer Support Dept.
April 1, 2003

Cautions

Keep safety first in your circuit designs!

1. Renesas Technology Corporation puts the maximum effort into making semiconductor products better and more reliable, but there is always the possibility that trouble may occur with them. Trouble with semiconductors may lead to personal injury, fire or property damage.
Remember to give due consideration to safety when making your circuit designs, with appropriate measures such as (i) placement of substitutive, auxiliary circuits, (ii) use of nonflammable material or (iii) prevention against any malfunction or mishap.

Notes regarding these materials

1. These materials are intended as a reference to assist our customers in the selection of the Renesas Technology Corporation product best suited to the customer's application; they do not convey any license under any intellectual property rights, or any other rights, belonging to Renesas Technology Corporation or a third party.
2. Renesas Technology Corporation assumes no responsibility for any damage, or infringement of any third-party's rights, originating in the use of any product data, diagrams, charts, programs, algorithms, or circuit application examples contained in these materials.
3. All information contained in these materials, including product data, diagrams, charts, programs and algorithms represents information on products at the time of publication of these materials, and are subject to change by Renesas Technology Corporation without notice due to product improvements or other reasons. It is therefore recommended that customers contact Renesas Technology Corporation or an authorized Renesas Technology Corporation product distributor for the latest product information before purchasing a product listed herein.
The information described here may contain technical inaccuracies or typographical errors.
Renesas Technology Corporation assumes no responsibility for any damage, liability, or other loss rising from these inaccuracies or errors.
Please also pay attention to information published by Renesas Technology Corporation by various means, including the Renesas Technology Corporation Semiconductor home page (<http://www.renesas.com>).
4. When using any or all of the information contained in these materials, including product data, diagrams, charts, programs, and algorithms, please be sure to evaluate all information as a total system before making a final decision on the applicability of the information and products. Renesas Technology Corporation assumes no responsibility for any damage, liability or other loss resulting from the information contained herein.
5. Renesas Technology Corporation semiconductors are not designed or manufactured for use in a device or system that is used under circumstances in which human life is potentially at stake. Please contact Renesas Technology Corporation or an authorized Renesas Technology Corporation product distributor when considering the use of a product contained herein for any specific purposes, such as apparatus or systems for transportation, vehicular, medical, aerospace, nuclear, or undersea repeater use.
6. The prior written approval of Renesas Technology Corporation is necessary to reprint or reproduce in whole or in part these materials.
7. If these products or technologies are subject to the Japanese export control restrictions, they must be exported under a license from the Japanese government and cannot be imported into a country other than the approved destination.
Any diversion or reexport contrary to the export control laws and regulations of Japan and/or the country of destination is prohibited.
8. Please contact Renesas Technology Corporation for further details on these materials or the products contained therein.

USB Adapter for E6000/E8000 Emulator HS6000EIU01H

Description Notes



ADE-702-325

Rev. 1.0

07/08/02

Hitachi, Ltd.

Cautions

1. Hitachi neither warrants nor grants licenses of any rights of Hitachi's or any third party's patent, copyright, trademark, or other intellectual property rights for information contained in this document. Hitachi bears no responsibility for problems that may arise with third party's rights, including intellectual property rights, in connection with use of the information contained in this document.
2. Products and product specifications may be subject to change without notice. Confirm that you have received the latest product standards or specifications before final design, purchase or use.
3. Hitachi makes every attempt to ensure that its products are of high quality and reliability. However, contact Hitachi's sales office before using the product in an application that demands especially high quality and reliability or where its failure or malfunction may directly threaten human life or cause risk of bodily injury, such as aerospace, aeronautics, nuclear power, combustion control, transportation, traffic, safety equipment or medical equipment for life support.
4. Design your application so that the product is used within the ranges guaranteed by Hitachi particularly for maximum rating, operating supply voltage range, heat radiation characteristics, installation conditions and other characteristics. Hitachi bears no responsibility for failure or damage when used beyond the guaranteed ranges. Even within the guaranteed ranges, consider normally foreseeable failure rates or failure modes in semiconductor devices and employ systemic measures such as fail-safes, so that the equipment incorporating Hitachi product does not cause bodily injury, fire or other consequential damage due to operation of the Hitachi product.
5. This product is not designed to be radiation resistant.
6. No one is permitted to reproduce or duplicate, in any form, the whole or part of this document without written approval from Hitachi.
7. Contact Hitachi's sales office for any questions regarding this document or Hitachi semiconductor products.

IMPORTANT INFORMATION

READ FIRST

- **READ this user's manual before using this emulator product.**
- **KEEP the user's manual handy for future reference.**

Do not attempt to use the emulator product until you fully understand its mechanism.

Emulator Product:

Throughout this document, the term "emulator product" shall be defined as the following products produced only by Hitachi, Ltd. excluding all subsidiary products.

- E6000 series emulator station or E8000 series emulator station
- USB adapter
- User system interface cables
- SIMM memory module
- Optional boards

The user system or a host computer is not included in this definition.

Purpose of the USB Adapter:

When Hitachi Debugging Interface (hereinafter referred to as HDI), a software debugging tool that runs on Windows[®], is used, when USB-connecting the USB adapter, this USB adapter is used for USB-connecting an E6000 series emulator or an E8000 series emulator to an host computer, and supports software and hardware development. This USB adapter must only be used for the above purpose.

Improvement Policy:

Hitachi, Ltd. (including its subsidiaries, hereinafter collectively referred to as Hitachi) pursues a policy of continuing improvement in design, functions, performance, and safety of the emulator product. Hitachi reserves the right to change, wholly or partially, the specifications, design, user's manual, and other documentation at any time without notice.

Target User of the Emulator Product:

This emulator product should only be used by those who have carefully read and thoroughly understood the information and restrictions contained in the user's manual. Do not attempt to use the emulator product until you fully understand its mechanism.

It is highly recommended that first-time users be instructed by users that are well versed in the operation of the emulator product.

LIMITED WARRANTY

Hitachi warrants its emulator products to be manufactured in accordance with published specifications and free from defects in material and/or workmanship. Hitachi, at its option, will repair or replace any emulator products returned intact to the factory, transportation charges prepaid, which Hitachi, upon inspection, determine to be defective in material and/or workmanship. The foregoing shall constitute the sole remedy for any breach of Hitachi's warranty. See the Hitachi warranty booklet for details on the warranty period. This warranty extends only to you, the original Purchaser. It is not transferable to anyone who subsequently purchases the emulator product from you. Hitachi is not liable for any claim made by a third party or made by you for a third party.

DISCLAIMER

HITACHI MAKES NO WARRANTIES, EITHER EXPRESS OR IMPLIED, ORAL OR WRITTEN, EXCEPT AS PROVIDED HEREIN, INCLUDING WITHOUT LIMITATION THEREOF, WARRANTIES AS TO MARKETABILITY, MERCHANTABILITY, FITNESS FOR ANY PARTICULAR PURPOSE OR USE, OR AGAINST INFRINGEMENT OF ANY PATENT. IN NO EVENT SHALL HITACHI BE LIABLE FOR ANY DIRECT, INCIDENTAL OR CONSEQUENTIAL DAMAGES OF ANY NATURE, OR LOSSES OR EXPENSES RESULTING FROM ANY DEFECTIVE EMULATOR PRODUCT, THE USE OF ANY EMULATOR PRODUCT, OR ITS DOCUMENTATION, EVEN IF ADVISED OF THE POSSIBILITY OF SUCH DAMAGES. EXCEPT AS EXPRESSLY STATED OTHERWISE IN THIS WARRANTY, THIS EMULATOR PRODUCT IS SOLD "AS IS", AND YOU MUST ASSUME ALL RISK FOR THE USE AND RESULTS OBTAINED FROM THE EMULATOR PRODUCT.

State Law:

Some states do not allow the exclusion or limitation of implied warranties or liability for incidental or consequential damages, so the above limitation or exclusion may not apply to you. This warranty gives you specific legal rights, and you may have other rights which may vary from state to state.

The Warranty is Void in the Following Cases:

Hitachi shall have no liability or legal responsibility for any problems caused by misuse, abuse, misapplication, neglect, improper handling, installation, repair or modifications of the emulator product without Hitachi's prior written consent or any problems caused by the user system.

All Rights Reserved:

This user's manual and emulator product are copyrighted and all rights are reserved by Hitachi. No part of this user's manual, all or part, may be reproduced or duplicated in any form, in hard-copy or machine-readable form, by any means available without Hitachi's prior written consent.

Other Important Things to Keep in Mind:

1. Circuitry and other examples described herein are meant merely to indicate the characteristics and performance of Hitachi's semiconductor products. Hitachi assumes no responsibility for any intellectual property claims or other problems that may result from applications based on the examples described herein.
2. No license is granted by implication or otherwise under any patents or other rights of any third party or Hitachi.

Figures:

Some figures in this user's manual may show items different from your actual system.

Limited Anticipation of Danger:

Hitachi cannot anticipate every possible circumstance that might involve a potential hazard. The warnings in this user's manual and on the emulator product are therefore not all inclusive. Therefore, you must use the emulator product safely at your own risk.

SAFETY PAGE

READ FIRST

- **READ** this user's manual before using this emulator product.
- **KEEP the user's manual handy for future reference.**

Do not attempt to use the emulator product until you fully understand its mechanism.

DEFINITION OF SIGNAL WORDS



This is the safety alert symbol. It is used to alert you to potential personal injury hazards. Obey all safety messages that follow this symbol to avoid possible injury or death.



DANGER indicates an imminently hazardous situation which, if not avoided, will result in death or serious injury.



WARNING indicates a potentially hazardous situation which, if not avoided, could result in death or serious injury.



CAUTION indicates a potentially hazardous situation which, if not avoided, may result in minor or moderate injury.



CAUTION used without the safety alert symbol indicates a potentially hazardous situation which, if not avoided, may result in property damage.

NOTE emphasizes essential information.

WARNING

Observe the precautions listed below. Failure to do so will result in a FIRE HAZARD and will damage the user system and the emulator product or will result in PERSONAL INJURY. The USER PROGRAM will be LOST.

- 1. Do not repair or remodel the emulator product by yourself for electric shock prevention and quality assurance.**
- 2. Always switch OFF the E6000 and E8000 emulator and user system before connecting or disconnecting any CABLES or PARTS.**
- 3. Supply power according to the power specifications and do not apply an incorrect power voltage. Use only the provided power cable.**

Preface

The USB adapter for the E6000 / E8000 emulators is described in this description notes. Read this notes and the User's manuals for the E6000 and E8000 emulators.

This USB adapter provides USB connection of the E6000/E8000 emulator to an host computer via the USB interface, enabling program debugging through an HDI.

- Notes:
1. Microsoft[®] and Windows[®] are registered trademarks of Microsoft Corporation in the United States and/or in other countries.
Microsoft[®] Windows[®] 98 Second Edition operating system is referred to as Windows[®] 98SE in this description notes.
Microsoft[®] Windows[®] Millennium Edition operating system is referred to as Windows[®] Me in this description notes.
Microsoft[®] Windows[®] 2000 operating system is referred to as Windows[®] 2000 in this description notes.
 2. IBM PC is a registered trademark of International Business Machines Corporation.
 3. The TCP/IP communication functions of this product include the AVE-TCP[™] of ACCESS CO., LTD. AVE-TCP is a trademark of ACCESS CO.,LTD.
 4. Displays in this notes are examples at using the Windows[®] 2000.
 5. Pentium[®] is a registered trademark of Intel.

Contents

Section 1 Overview	1
1.1 System Configuration	1
1.2 Operating Environments	2
1.3 Environmental Conditions	3
Section 2 Components.....	4
2.1 USB Adapter.....	5
Section 3 Preparation Before Use	6
3.1 Connecting USB Cable to USB Adapter.....	6
3.2 Connecting USB Adapter to E6000 Emulator	7
3.3 Connecting USB Adapter to E8000 Emulator	8
Section 4 Setting up the USB Adapter	10
4.1 Procedures.....	10
4.2 Selecting the USB Driver.....	11
Section 5 Troubleshooting	12
Section 6 External Dimensions of the USB Adapter	13

Section 1 Overview

This section describes the system configuration at USB connection and the USB adapter.

1.1 System Configuration

Figure 1 shows the system configuration when connecting the E6000 emulator and the USB adapter. The E8000 emulator can be connected in the same way. Refer to figure 5 when connecting the E8000 emulator and the USB adapter.

The host computer containing Windows® and the USB adapter are connected via the USB cable.

The USB adapter and the E6000/E8000 emulator are connected through the PC interface cable.

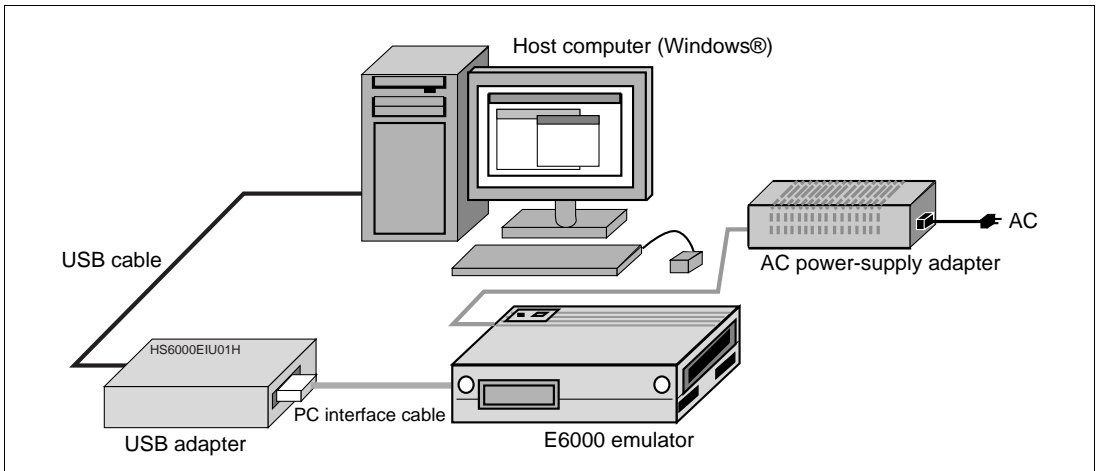


Figure 1 System Configuration of E6000 Emulator Connection

1.2 Operating Environments

Table 1 Operating Environments

Item	Description
Host computer	Built-in Pentium® or higher-performance CPU (500 MHz or higher recommended); IBM PC or compatible machine with the USB interface.
USB interface	Complied with USB Specification Rev. 1.1
Basic software	Windows® 98SE, Windows® Me, or Windows® 2000
Minimum memory capacity	32 Mbytes or more (double of the load module size recommended)
Hard-disk capacity	Installation disk capacity: 10 Mbytes or more. (Prepare an area at least double the memory capacity (four-times or more recommended) as the swap area.)
Pointing device such as mouse	Connectable to the host computer; compatible with Windows® 98SE, Windows® Me, and Windows® 2000.
CD-ROM drive	Required to install the HDI for the emulator or refer to the emulator user's manual.

1.3 Environmental Conditions

CAUTION

Observe the conditions listed in table 2 when using the USB adapter. Failure to do so will damage the USB adapter, the emulator product, and the user system.



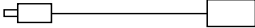

Table 2 Environmental Conditions

No.	Item	Specification
1	Temperature	Operating: +10°C to +35°C Storage: -10°C to +50°C
2	Humidity	Operating: 35% RH to 80% RH, no condensation Storage: 35% RH to 80% RH, no condensation
3	Vibration	Operating: 2.45m/S ² max. Storage: 4.9m/S ² max. Transportation: 14.7m/S ² max.
4	DC power-supply	Voltage: DC 5 V Current: 250 mA
5	Ambient gases	There must be no corrosive gasses present.

Section 2 Components

Table 3 lists the components of the USB adapter.

Table 3 Components

Item	Product Name	Configuration	Quantity	Remarks
Hardware	USB adapter		1	Number of printed circuit boards mounted: 1
	PC interface cable		1	Cable length: 1.5 m With a ferrite core (for EMI* disturbance)
	USB cable		1	Cable length: 2 m
Documentation	Description Notes on Using USB Adapter for E6000/E8000 Emulator (HS6000EIU01H) (This manual)		1	HS6000EIU01HE

Note: EMI is an abbreviation of electrical magnetic interference.

2.1 USB Adapter

Figure 2 shows each part of the USB adapter.

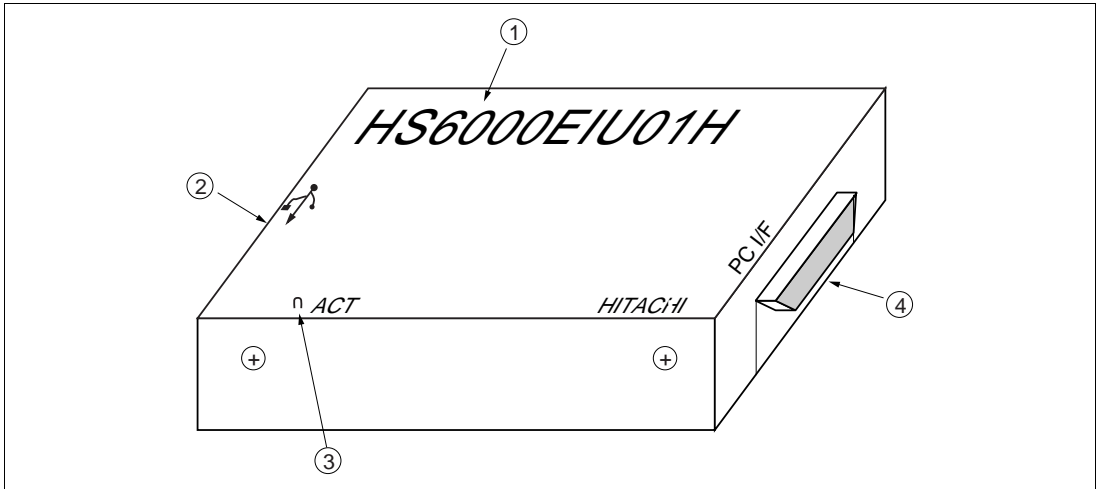


Figure 2 USB Adapter

Numbers in figure 2 indicate the following:

- (1) Product name: Product name (HS6000EIU01H) of the USB adapter.
- (2) USB port: Connects the USB cable.
- (3) LED displaying the communication state: This LED is lit if a communication error occurs.
- (4) PC interface cable connector: Connects the emulator.

Section 3 Preparation Before Use

3.1 Connecting USB Cable to USB Adapter

WARNING

Always switch OFF the emulator product and user system before connecting or disconnecting the USB adapter.

Failure to do so will result in a FIRE HAZARD and will damage the user system, USB adapter, and emulator product or will result in PERSONAL INJURY.

Use the AC power-supply adapter provided in the package.

(1) Connect the USB cable to the connector marked '  ' as shown in figure 3.

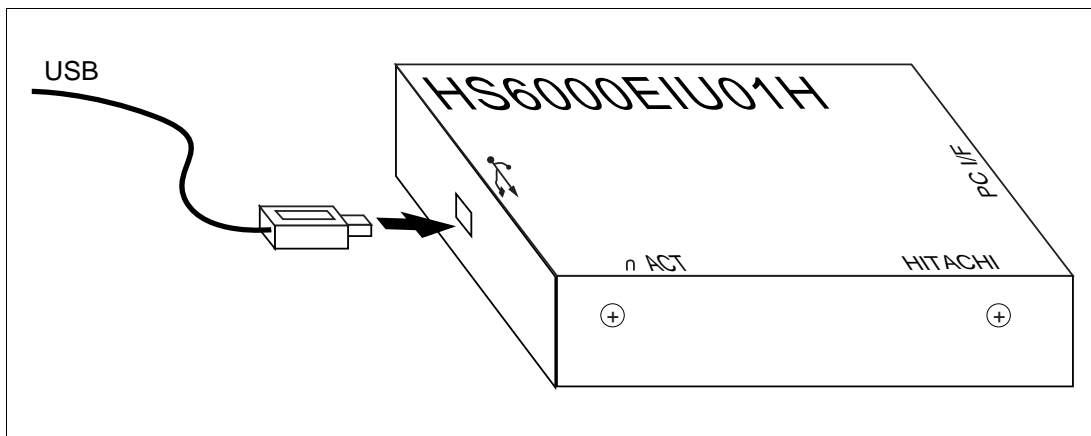


Figure 3 Connecting USB Cable to USB Adapter

3.2 Connecting USB Adapter to E6000 Emulator

WARNING

Always switch OFF the emulator product and user system before connecting or disconnecting the USB adapter.

Failure to do so will result in a FIRE HAZARD and will damage the user system, USB adapter, and emulator product or will result in PERSONAL INJURY.

To use the E6000 emulator, connect the USB adapter to the E6000 emulator station via the supplied PC interface cable, as shown in figure 4. Connect the PC interface cable connector with a ferrite core to the E6000 emulator.

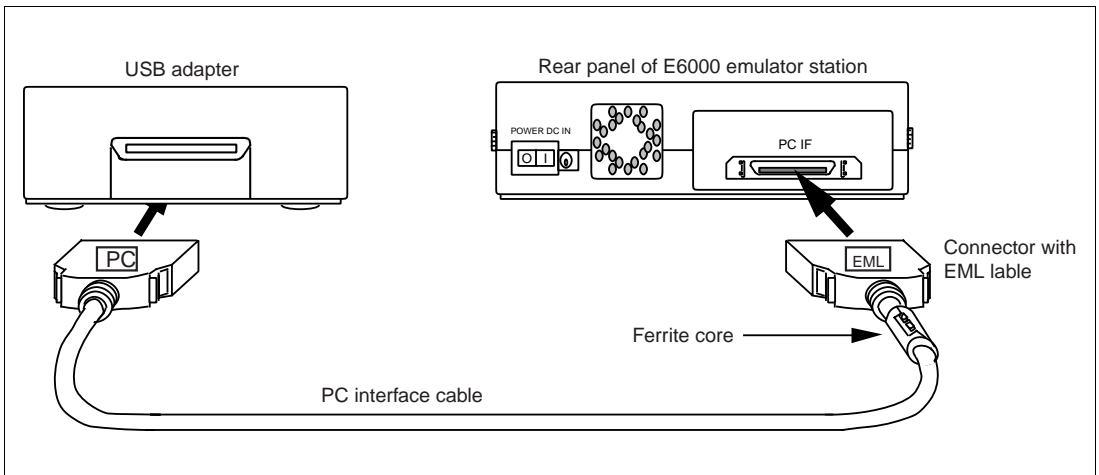


Figure 4 Connecting USB adapter to E6000 Emulator

3.3 Connecting USB Adapter to E8000 Emulator



WARNING

Always switch OFF the emulator product and user system before connecting or disconnecting the USB adapter.

Failure to do so will result in a FIRE HAZARD and will damage the user system, USB adapter, and emulator product or will result in PERSONAL INJURY.

To use the E8000 emulator, connect the USB adapter to the E8000 emulator station via the supplied PC interface cable, as shown in figure 5. Connect the PC interface cable connector with a ferrite core to the E8000 emulator.

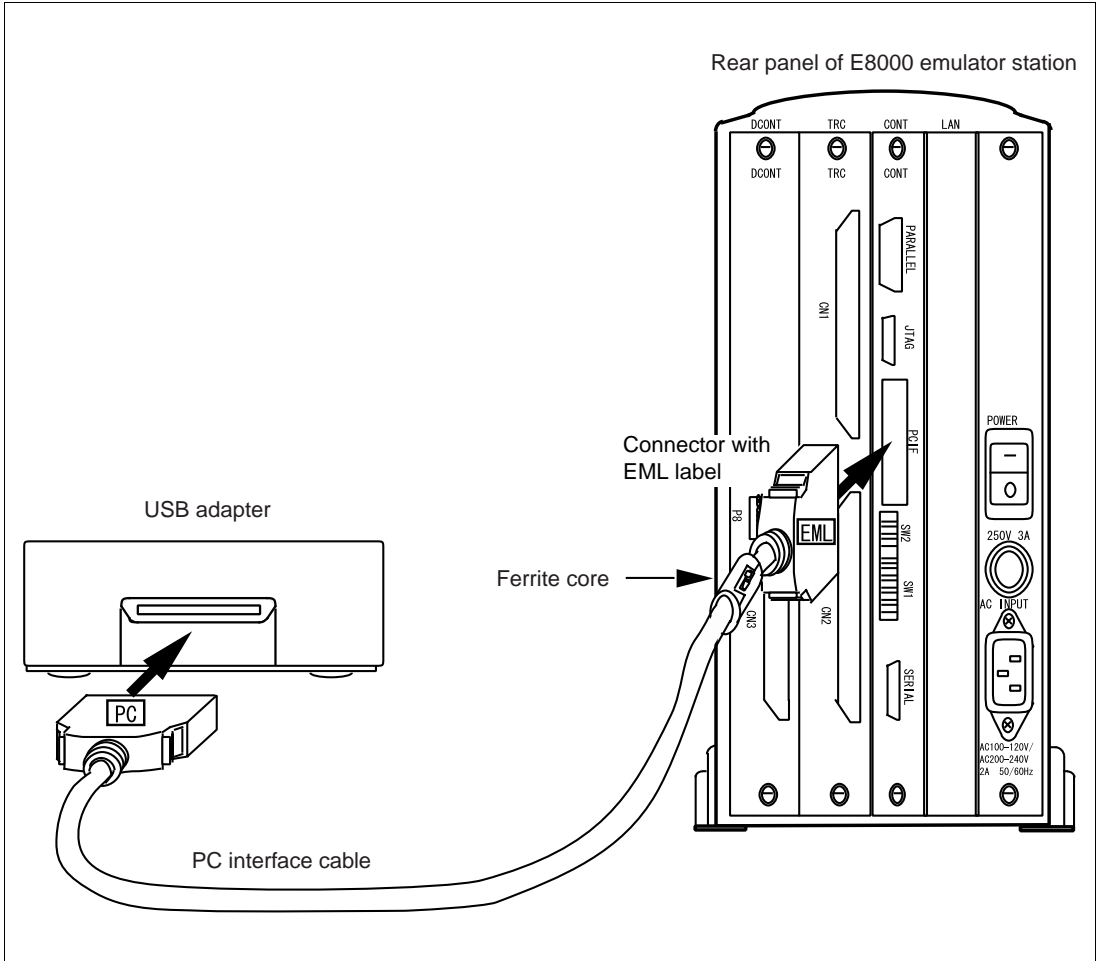


Figure 5 Connecting USB Adapter to E8000 Emulator

Section 4 Setting up the USB Adapter

4.1 Procedures

Figure 6 shows the setup procedures of the USB adapter.

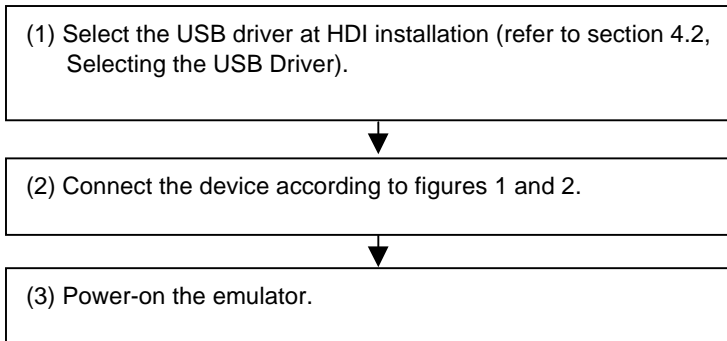


Figure 6 Setup Procedures

4.2 Selecting the USB Driver

During HDI installation, select 'USB Driver' in the [Select Components] dialog box.

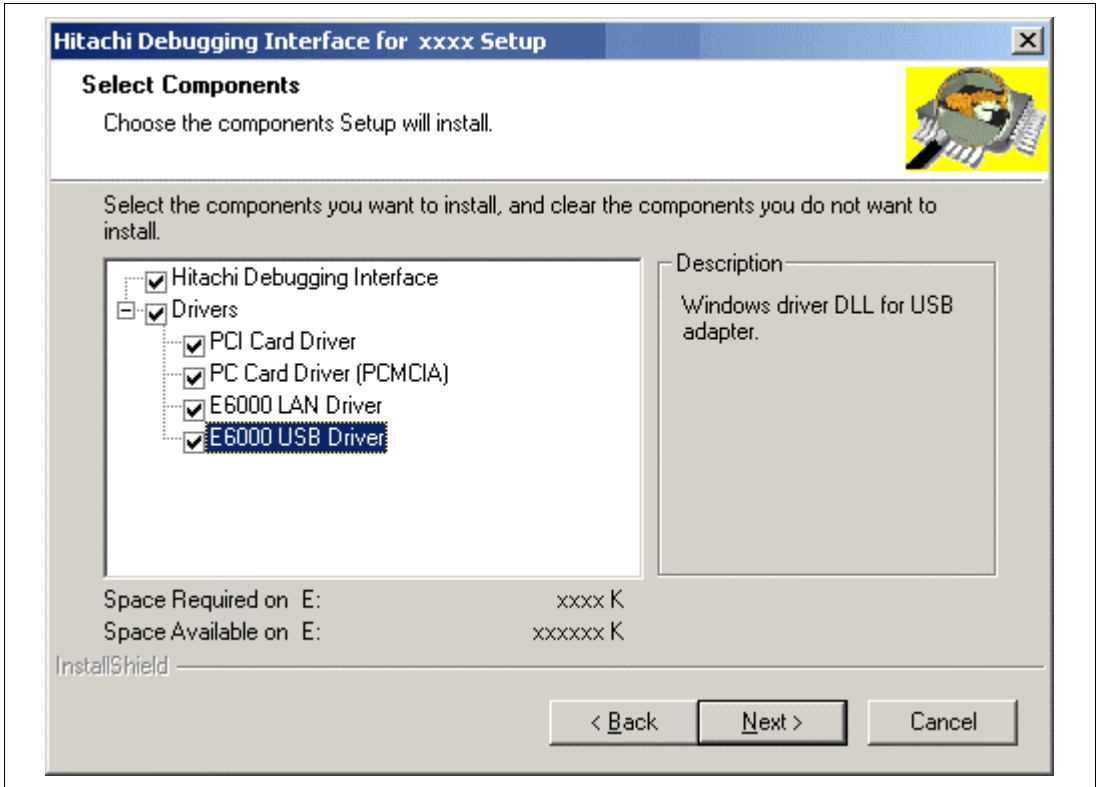


Figure 7 [Select Components] Dialog Box

- Notes:
1. Figure 7 is a dialog box for installing the E6000 HDI.
 2. If 'USB Driver' is not displayed as a component, operating environments in table 1 will not be satisfied. Check the operating system in use.

Section 5 Troubleshooting

The problems that may occur when using the USB adapter and the measures to be taken are as follows.

1. The HDI will not start.
 - If the emulator is not powered-on, an error message will be displayed when the HDI is started. Check that the USB adapter and emulator are correctly connected and the emulator is powered-on.
2. The HDI stops operating.
 - Check that the USB adapter and emulator are correctly connected.
 - Check if another HDI tries to communicate with the USB adapter. Multiple HDIs cannot use one USB adapter at the same time.
3. The LED is lit for displaying the communication state.
 - The USB adapter has an LED for displaying the communication state as shown in figure 8. This LED will be lit if an error occurs in the USB interface communication. If this LED is lit after above items 1 and 2 have been checked and have no problems, turn the emulator and the user system off, remove the USB cable from the USB adapter, and connect them again.

If the problem is not solved even if those measures have been taken, there will be a failure in the USB adapter. In such a case, contact Hitachi's sales agency.

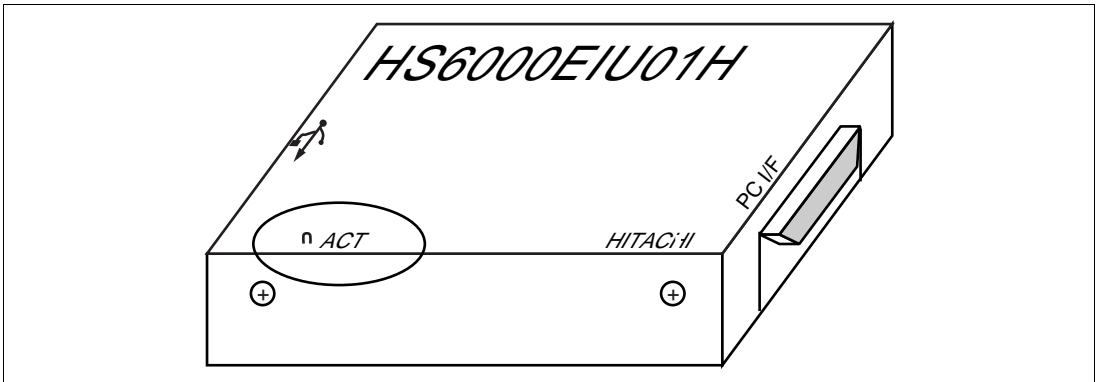


Figure 8 LED for Displaying the Communication State

Section 6 External Dimensions of the USB Adapter

