

Step-Up DC-DC Converter

www.datasheet4u.com

General Description

The CP2129 is a step-up DC/DC converter specifically designed for driving white LEDs with a constant current. The device can drive up to 4 white LEDs from a 3V power supply. PWM dimming control is supported to adjust the brightness of the white LEDs. The CP2129 switches at 1.1 MHz, allowing the use of tiny components. 250mV feedback voltage minimizes the power loss in the current setting resistor for better efficiency. The CP2129 is equipped with the over voltage protection when the OVP pin connecting to the VOUT, which can make the device keep in safe mode when the LEDs in open state.

The CP2129 is available in SOT23-6L package.



SOT23-6L
-40 ~ 85

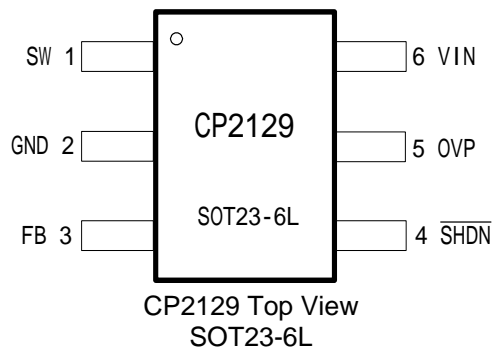
Features

- Inherently matched LED current
- High efficiency: 84% (typical)
- Stable 20V bipolar switches
- Internal output over-voltage protection (17V typical)
- Fast 1.1MHz switching frequency
- Uses tiny 1mm height inductors
- Shutdown current: <math><1 \mu A</math>
- Low profile SOT23-6L package

Applications

- Mobile phones
- Digital still camera
- MP3 players
- PDA
- GPS receivers

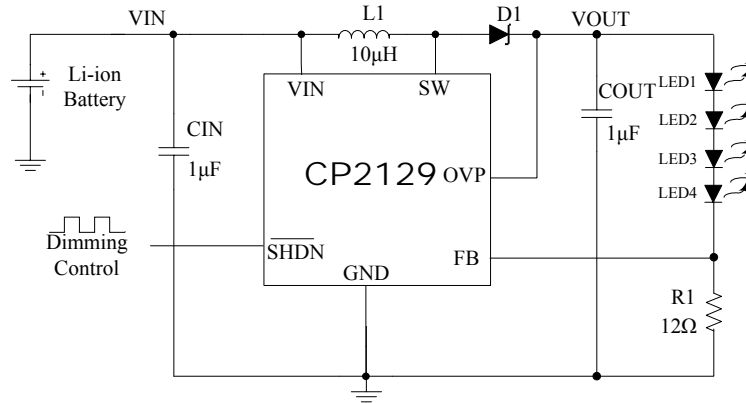
Pin Configurations



Step-Up DC-DC Converter

Typical Application Circuit

www.datasheet4u.com



CP2129 Driving 4 LED

Contact with Chiphomer

4F, Building D, 1618 Yishan Road Shanghai, 201103, P.R.C.
 Tel: (86)21-64014543 64058488
 Fax: (86)21-64050030
 Sale: sales@chiphomer.com
 Technical support: support@chiphomer.com
 Web site: www.chiphomer.com

Shenzhen Office:
 10D, Building 2, Dushi Yangguang Garden CheGongMiao, Futian District, Shenzhen, 518048,
 P.R.C.
 Tel: (86)755-82046706 82047789
 Fax: (86)755-8204670