

# LM317, NCV317

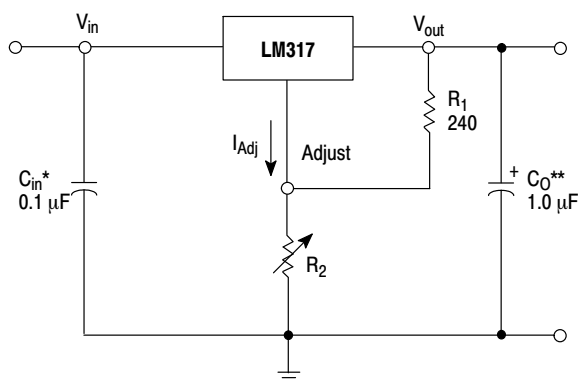
## 1.5 A Adjustable Output, Positive Voltage Regulator

The LM317 is an adjustable 3-terminal positive voltage regulator capable of supplying in excess of 1.5 A over an output voltage range of 1.2 V to 37 V. This voltage regulator is exceptionally easy to use and requires only two external resistors to set the output voltage. Further, it employs internal current limiting, thermal shutdown and safe area compensation, making it essentially blow-out proof.

The LM317 serves a wide variety of applications including local, on card regulation. This device can also be used to make a programmable output regulator, or by connecting a fixed resistor between the adjustment and output, the LM317 can be used as a precision current regulator.

### Features

- Output Current in Excess of 1.5 A
- Output Adjustable between 1.2 V and 37 V
- Internal Thermal Overload Protection
- Internal Short Circuit Current Limiting Constant with Temperature
- Output Transistor Safe-Area Compensation
- Floating Operation for High Voltage Applications
- Available in Surface Mount D<sup>2</sup>PAK-3, and Standard 3-Lead Transistor Package
- Eliminates Stocking many Fixed Voltages
- Pb-Free Packages are Available



\*  $C_{in}$  is required if regulator is located an appreciable distance from power supply filter.

\*\*  $C_O$  is not needed for stability, however, it does improve transient response.

$$V_{out} = 1.25 V \left( 1 + \frac{R_2}{R_1} \right) + I_{Adj} R_2$$

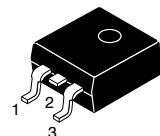
Since  $I_{Adj}$  is controlled to less than 100  $\mu A$ , the error associated with this term is negligible in most applications.

Figure 1. Standard Application



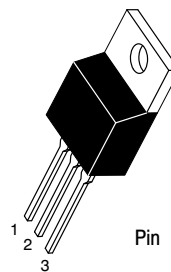
ON Semiconductor®

<http://onsemi.com>



D<sup>2</sup>PAK-3  
D2T SUFFIX  
CASE 936

Heatsink surface (shown as terminal 4 in case outline drawing) is connected to Pin 2.



TO-220  
T SUFFIX  
CASE 221AB

Pin 1. Adjust  
2.  $V_{out}$   
3.  $V_{in}$

Heatsink surface connected to Pin 2.

### ORDERING INFORMATION

See detailed ordering and shipping information in the package dimensions section on page 10 of this data sheet.

### DEVICE MARKING INFORMATION

See general marking information in the device marking section on page 10 of this data sheet.

# LM317, NCV317

## MAXIMUM RATINGS

| Rating  | Symbol   | Value  | Unit   |
|---|--|--|--|
| Input-Output Voltage Differential   | $V_I - V_O$  | 40   | Vdc  |
| Power Dissipation<br>Case 221A<br>$T_A = +25^\circ\text{C}$<br>Thermal Resistance, Junction-to-Ambient<br>Thermal Resistance, Junction-to-Case<br>Case 936 (D <sup>2</sup> PAK-3)<br>$T_A = +25^\circ\text{C}$<br>Thermal Resistance, Junction-to-Ambient<br>Thermal Resistance, Junction-to-Case | $P_D$<br>$\theta_{JA}$<br>$\theta_{JC}$<br>$P_D$<br>$\theta_{JA}$<br>$\theta_{JC}$ | Internally Limited<br>65<br>5.0<br>Internally Limited<br>70<br>5.0 | W<br>$^\circ\text{C/W}$<br>$^\circ\text{C/W}$<br>W<br>$^\circ\text{C/W}$<br>$^\circ\text{C/W}$ |
| Operating Junction Temperature Range  | $T_J$  | -55 to +150  | $^\circ\text{C}$   |
| Storage Temperature Range   | $T_{stg}$  | -65 to +150  | $^\circ\text{C}$   |

Stresses exceeding Maximum Ratings may damage the device. Maximum Ratings are stress ratings only. Functional operation above the Recommended Operating Conditions is not implied. Extended exposure to stresses above the Recommended Operating Conditions may affect device reliability.

**ELECTRICAL CHARACTERISTICS** ( $V_I - V_O = 5.0\text{ V}$ ;  $I_O = 0.5\text{ A}$  for D2T and T packages;  $T_J = T_{low}$  to  $T_{high}$  (Note 1);  $I_{max}$  and  $P_{max}$  (Note 2); unless otherwise noted.)

| Characteristics   | Figure | Symbol               | Min         | Typ        | Max       | Unit               |
|---|--------|----------------------|-------------|------------|-----------|--------------------|
| Line Regulation (Note 3), $T_A = +25^\circ\text{C}$ , $3.0\text{ V} \leq V_I - V_O \leq 40\text{ V}$  | 1      | $\text{Reg}_{line}$  | -           | 0.01       | 0.04      | %/V                |
| Load Regulation (Note 3), $T_A = +25^\circ\text{C}$ , $10\text{ mA} \leq I_O \leq I_{max}$<br>$V_O \leq 5.0\text{ V}$<br>$V_O \geq 5.0\text{ V}$                                  | 2      | $\text{Reg}_{load}$  | -<br>-      | 5.0<br>0.1 | 25<br>0.5 | mV<br>% $V_O$      |
| Thermal Regulation, $T_A = +25^\circ\text{C}$ (Note 4), 20 ms Pulse   | -      | $\text{Reg}_{therm}$ | -           | 0.03       | 0.07      | % $V_O/\text{W}$   |
| Adjustment Pin Current  | 3      | $I_{Adj}$            | -           | 50         | 100       | $\mu\text{A}$      |
| Adjustment Pin Current Change, $2.5\text{ V} \leq V_I - V_O \leq 40\text{ V}$ ,<br>$10\text{ mA} \leq I_L \leq I_{max}$ , $P_D \leq P_{max}$                                      | 1, 2   | $\Delta I_{Adj}$     | -           | 0.2        | 5.0       | $\mu\text{A}$      |
| Reference Voltage, $3.0\text{ V} \leq V_I - V_O \leq 40\text{ V}$ , $10\text{ mA} \leq I_O \leq I_{max}$ , $P_D \leq P_{max}$   | 3      | $V_{ref}$            | 1.2         | 1.25       | 1.3       | V                  |
| Line Regulation (Note 3), $3.0\text{ V} \leq V_I - V_O \leq 40\text{ V}$  | 1      | $\text{Reg}_{line}$  | -           | 0.02       | 0.07      | % V                |
| Load Regulation (Note 3), $10\text{ mA} \leq I_O \leq I_{max}$<br>$V_O \leq 5.0\text{ V}$<br>$V_O \geq 5.0\text{ V}$  | 2      | $\text{Reg}_{load}$  | -<br>-      | 20<br>0.3  | 70<br>1.5 | mV<br>% $V_O$      |
| Temperature Stability ( $T_{low} \leq T_J \leq T_{high}$ )  | 3      | $T_S$                | -           | 0.7        | -         | % $V_O$            |
| Minimum Load Current to Maintain Regulation ( $V_I - V_O = 40\text{ V}$ )   | 3      | $I_{Lmin}$           | -           | 3.5        | 10        | mA                 |
| Maximum Output Current<br>$V_I - V_O \leq 15\text{ V}$ , $P_D \leq P_{max}$ , T Package<br>$V_I - V_O = 40\text{ V}$ , $P_D \leq P_{max}$ , $T_A = +25^\circ\text{C}$ , T Package | 3      | $I_{max}$            | 1.5<br>0.15 | 2.2<br>0.4 | -<br>-    | A                  |
| RMS Noise, % of $V_O$ , $T_A = +25^\circ\text{C}$ , $10\text{ Hz} \leq f \leq 10\text{ kHz}$  | -      | N                    | -           | 0.003      | -         | % $V_O$            |
| Ripple Rejection, $V_O = 10\text{ V}$ , $f = 120\text{ Hz}$ (Note 5)<br>Without $C_{Adj}$<br>$C_{Adj} = 10\text{ }\mu\text{F}$  | 4      | RR                   | -<br>66     | 65<br>80   | -<br>-    | dB                 |
| Thermal Shutdown (Note 6)   | -      | -                    | -           | 180        | -         | $^\circ\text{C}$   |
| Long-Term Stability, $T_J = T_{high}$ (Note 7), $T_A = +25^\circ\text{C}$ for<br>Endpoint Measurements  | 3      | S                    | -           | 0.3        | 1.0       | %/1.0<br>kHrs.     |
| Thermal Resistance Junction-to-Case, T Package  | -      | $R_{\theta JC}$      | -           | 5.0        | -         | $^\circ\text{C/W}$ |

1.  $T_{low}$  to  $T_{high} = 0^\circ$  to  $+125^\circ\text{C}$ , for LM317T, D2T.  $T_{low}$  to  $T_{high} = -40^\circ$  to  $+125^\circ\text{C}$ , for LM317BT, BD2T,  $T_{low}$  to  $T_{high} = -55^\circ$  to  $+150^\circ\text{C}$ , for NCV317BT, BD2T.

2.  $I_{max} = 1.5\text{ A}$ ,  $P_{max} = 20\text{ W}$

3. Load and line regulation are specified at constant junction temperature. Changes in  $V_O$  due to heating effects must be taken into account separately. Pulse testing with low duty cycle is used.

4. Power dissipation within an IC voltage regulator produces a temperature gradient on the die, affecting individual IC components on the die. These effects can be minimized by proper integrated circuit design and layout techniques. Thermal Regulation is the effect of these temperature gradients on the output voltage and is expressed in percentage of output change per watt of power change in a specified time.

5.  $C_{Adj}$ , when used, is connected between the adjustment pin and ground.

6. Thermal characteristics are not subject to production test.

7. Since Long-Term Stability cannot be measured on each device before shipment, this specification is an engineering estimate of average stability from lot to lot.

# LM317, NCV317

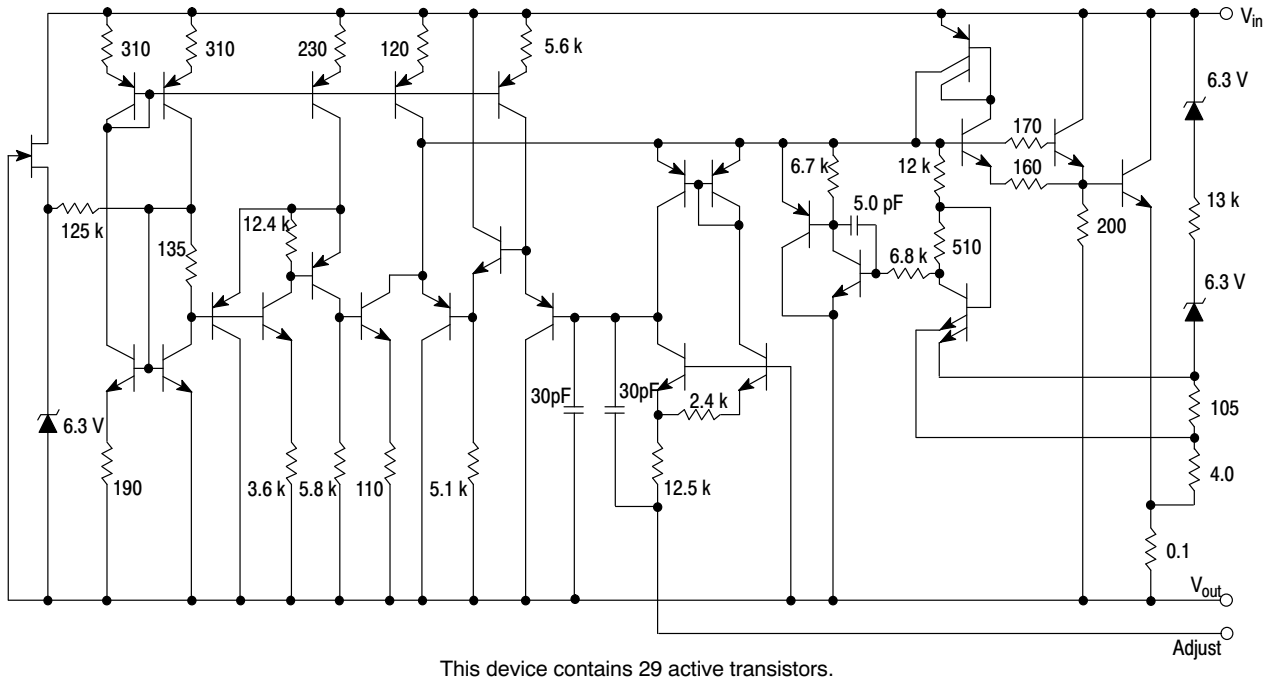


Figure 2. Representative Schematic Diagram

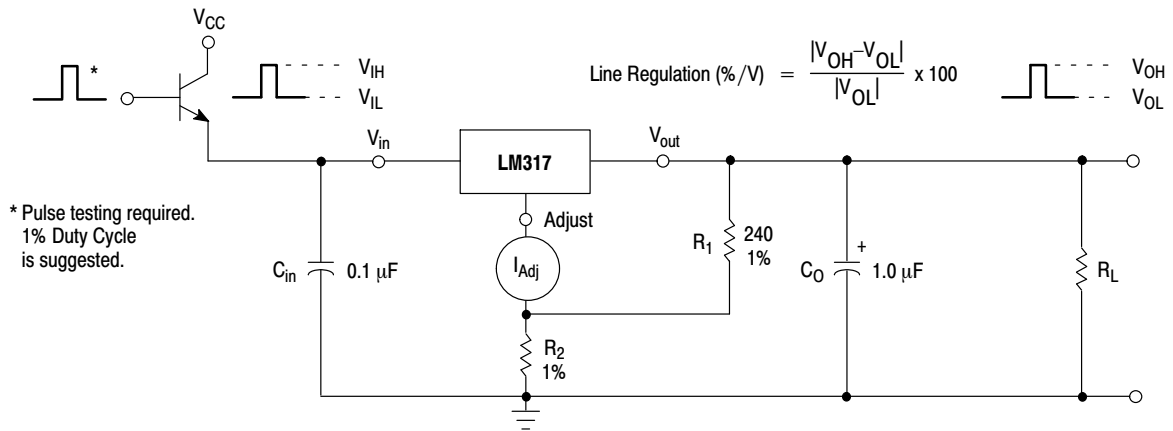
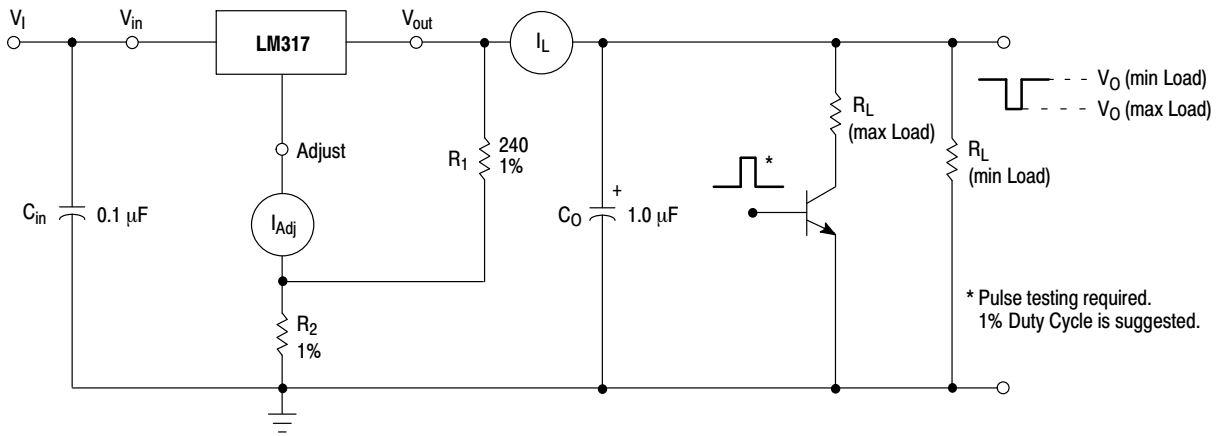


Figure 3. Line Regulation and  $\Delta I_{Adj}$ /Line Test Circuit

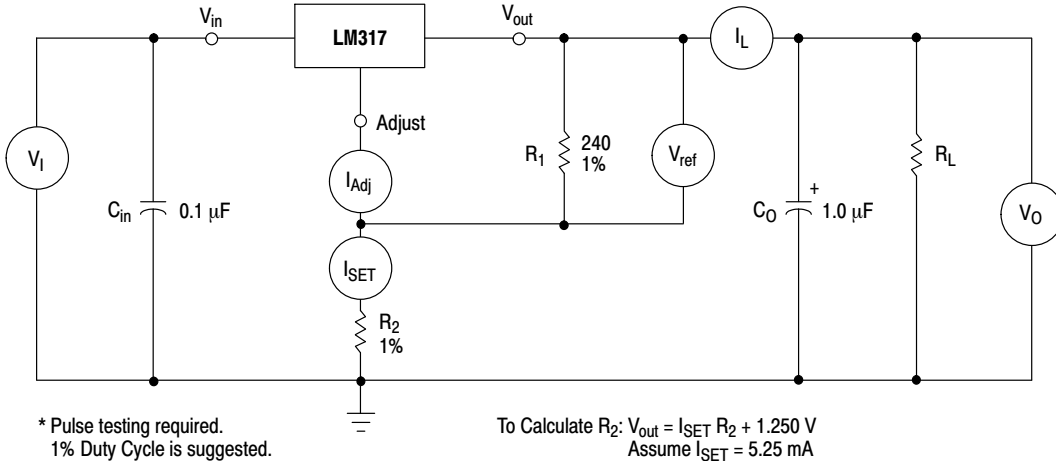
# LM317, NCV317



Load Regulation (mV) =  $V_O$  (min Load) -  $V_O$  (max Load)

Load Regulation (%  $V_O$ ) =  $\frac{V_O$  (min Load) -  $V_O$  (max Load)}{V\_O (min Load)} x 100

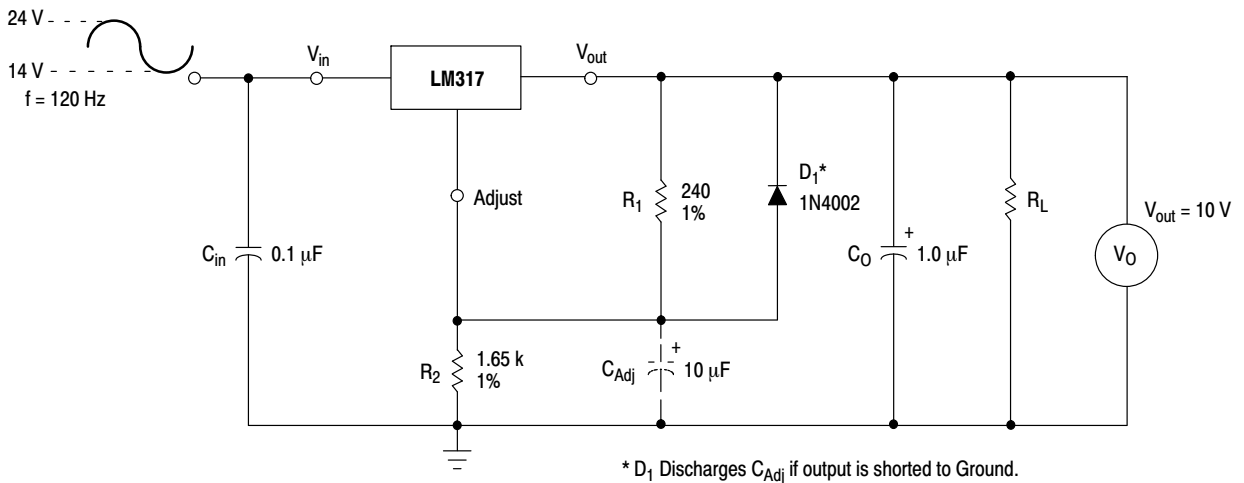
**Figure 4. Load Regulation and  $\Delta I_{Adj}$ /Load Test Circuit**



\* Pulse testing required.  
1% Duty Cycle is suggested.

To Calculate  $R_2$ :  $V_{out} = I_{SET} R_2 + 1.250 V$   
Assume  $I_{SET} = 5.25 mA$

**Figure 5. Standard Test Circuit**



\*  $D_1$  Discharges  $C_{Adj}$  if output is shorted to Ground.

**Figure 6. Ripple Rejection Test Circuit**

# LM317, NCV317

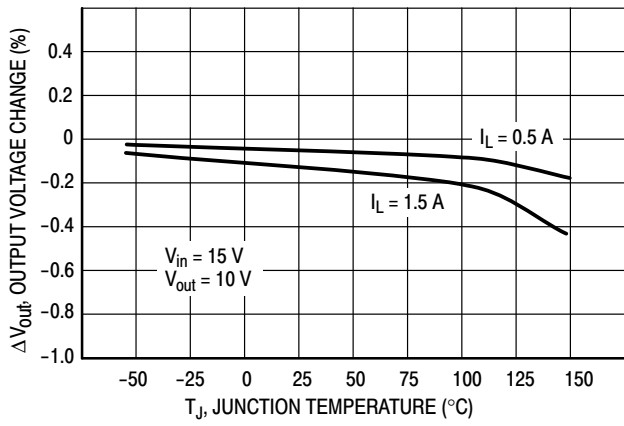


Figure 7. Load Regulation

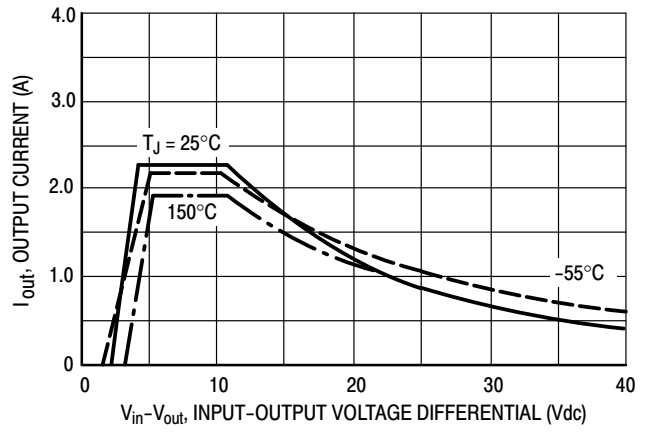


Figure 8. Current Limit

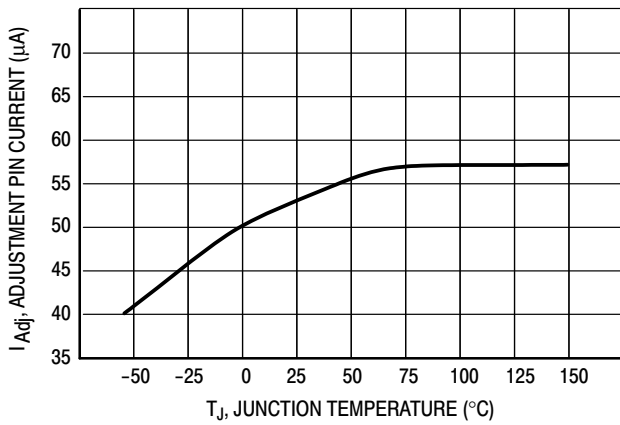


Figure 9. Adjustment Pin Current

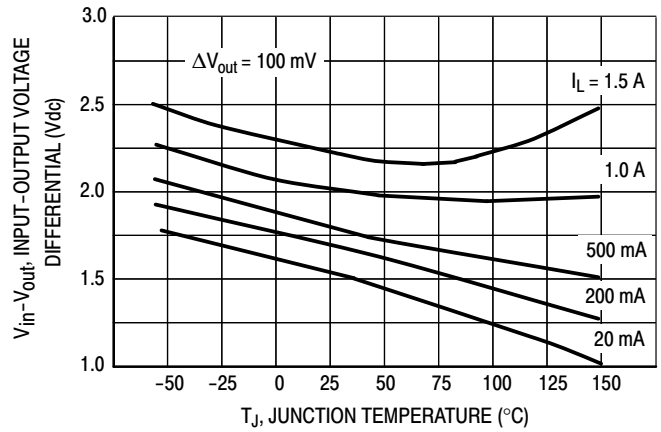


Figure 10. Dropout Voltage

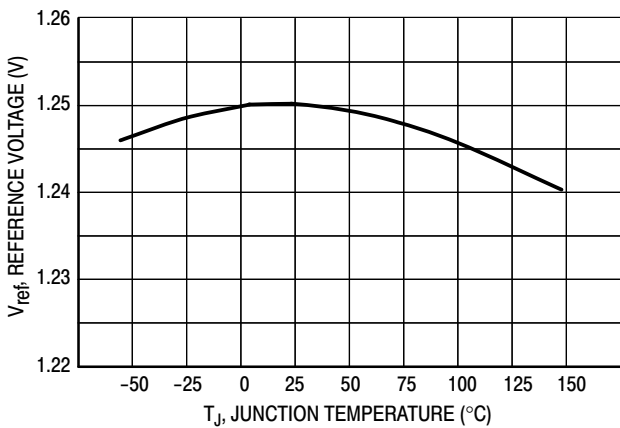


Figure 11. Temperature Stability

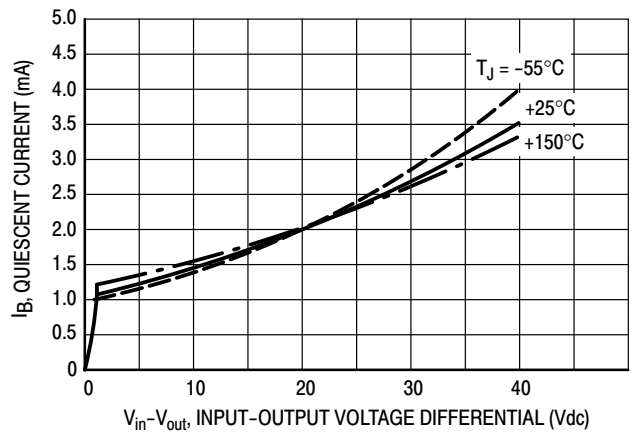
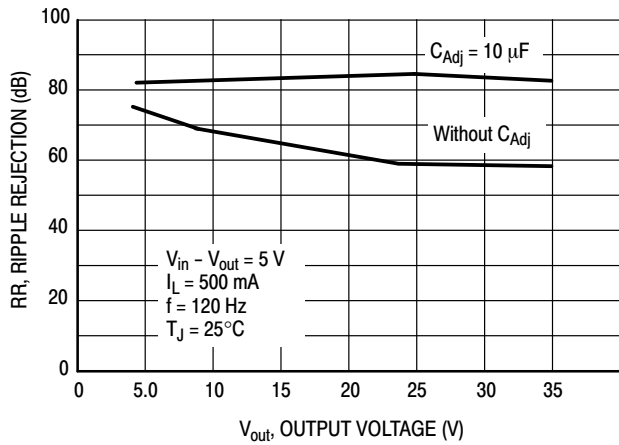
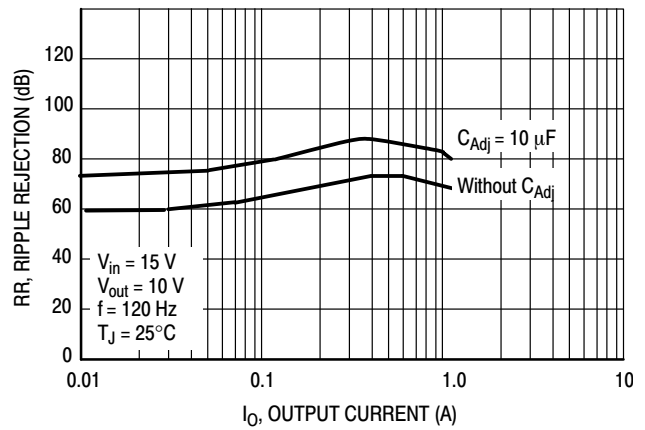


Figure 12. Minimum Operating Current

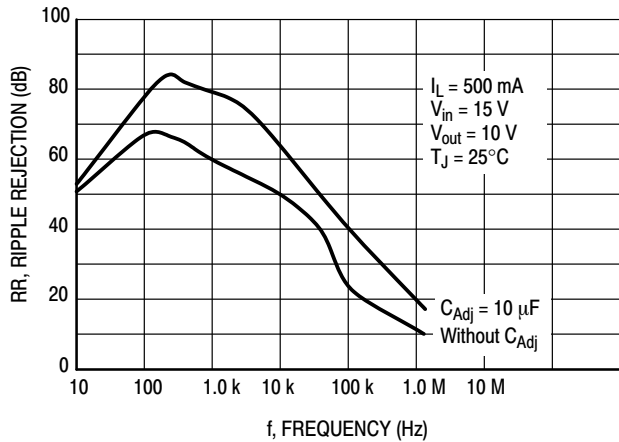
# LM317, NCV317



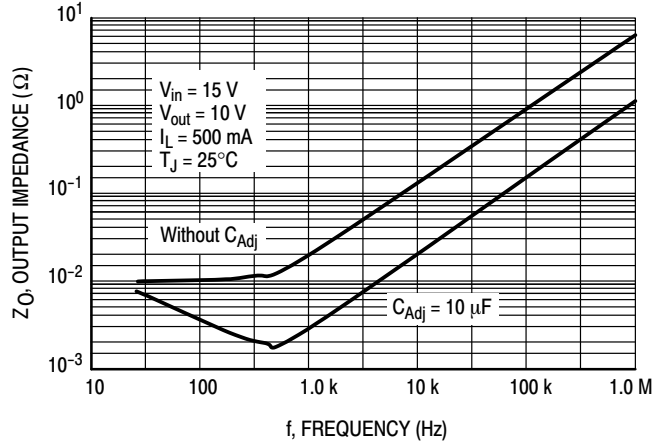
**Figure 13. Ripple Rejection versus Output Voltage**



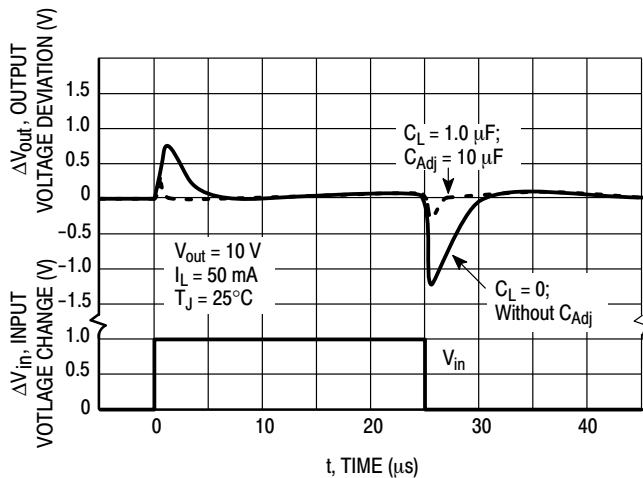
**Figure 14. Ripple Rejection versus Output Current**



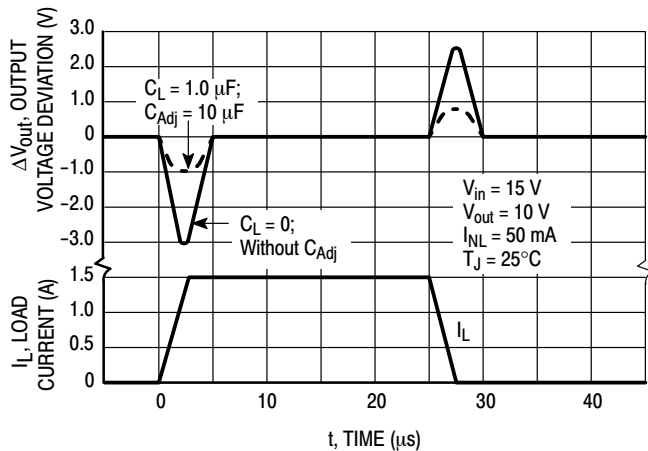
**Figure 15. Ripple Rejection versus Frequency**



**Figure 16. Output Impedance**



**Figure 17. Line Transient Response**



**Figure 18. Load Transient Response**

APPLICATIONS INFORMATION

**Basic Circuit Operation**

The LM317 is a 3-terminal floating regulator. In operation, the LM317 develops and maintains a nominal 1.25 V reference ( $V_{ref}$ ) between its output and adjustment terminals. This reference voltage is converted to a programming current ( $I_{PROG}$ ) by  $R_1$  (see Figure 17), and this constant current flows through  $R_2$  to ground.

The regulated output voltage is given by:

$$V_{out} = V_{ref} \left( 1 + \frac{R_2}{R_1} \right) + I_{Adj} R_2$$

Since the current from the adjustment terminal ( $I_{Adj}$ ) represents an error term in the equation, the LM317 was designed to control  $I_{Adj}$  to less than 100  $\mu$ A and keep it constant. To do this, all quiescent operating current is returned to the output terminal. This imposes the requirement for a minimum load current. If the load current is less than this minimum, the output voltage will rise.

Since the LM317 is a floating regulator, it is only the voltage differential across the circuit which is important to performance, and operation at high voltages with respect to ground is possible.

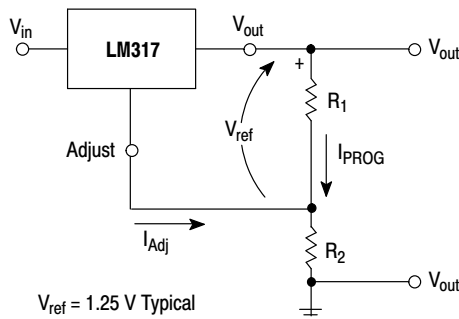


Figure 19. Basic Circuit Configuration

**Load Regulation**

The LM317 is capable of providing extremely good load regulation, but a few precautions are needed to obtain maximum performance. For best performance, the programming resistor ( $R_1$ ) should be connected as close to the regulator as possible to minimize line drops which effectively appear in series with the reference, thereby degrading regulation. The ground end of  $R_2$  can be returned near the load ground to provide remote ground sensing and improve load regulation.

**External Capacitors**

A 0.1  $\mu$ F disc or 1.0  $\mu$ F tantalum input bypass capacitor ( $C_{in}$ ) is recommended to reduce the sensitivity to input line impedance.

The adjustment terminal may be bypassed to ground to improve ripple rejection. This capacitor ( $C_{Adj}$ ) prevents ripple from being amplified as the output voltage is increased. A 10  $\mu$ F capacitor should improve ripple rejection about 15 dB at 120 Hz in a 10 V application.

Although the LM317 is stable with no output capacitance, like any feedback circuit, certain values of external capacitance can cause excessive ringing. An output capacitance ( $C_O$ ) in the form of a 1.0  $\mu$ F tantalum or 25  $\mu$ F aluminum electrolytic capacitor on the output swamps this effect and insures stability.

**Protection Diodes**

When external capacitors are used with any IC regulator it is sometimes necessary to add protection diodes to prevent the capacitors from discharging through low current points into the regulator.

Figure 18 shows the LM317 with the recommended protection diodes for output voltages in excess of 25 V or high capacitance values ( $C_O > 25 \mu$ F,  $C_{Adj} > 10 \mu$ F). Diode  $D_1$  prevents  $C_O$  from discharging thru the IC during an input short circuit. Diode  $D_2$  protects against capacitor  $C_{Adj}$  discharging through the IC during an output short circuit. The combination of diodes  $D_1$  and  $D_2$  prevents  $C_{Adj}$  from discharging through the IC during an input short circuit.

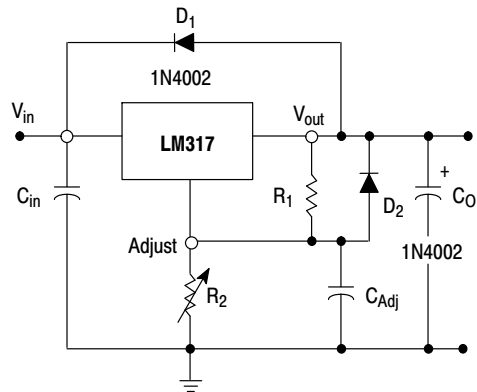


Figure 20. Voltage Regulator with Protection Diodes

# LM317, NCV317

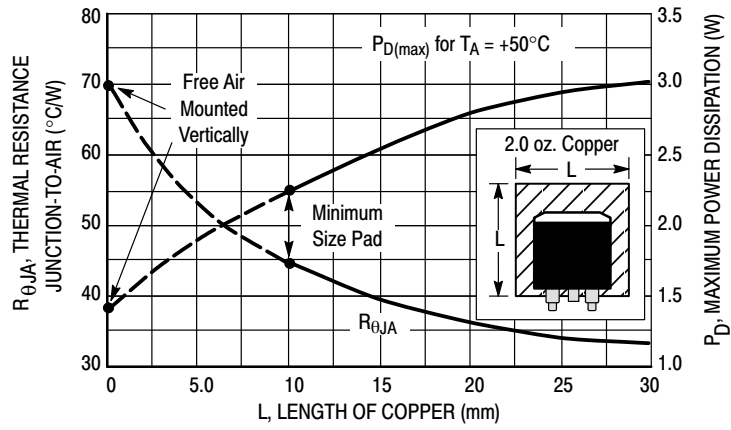


Figure 21. D<sup>2</sup>PAK Thermal Resistance and Maximum Power Dissipation versus P.C.B. Copper Length

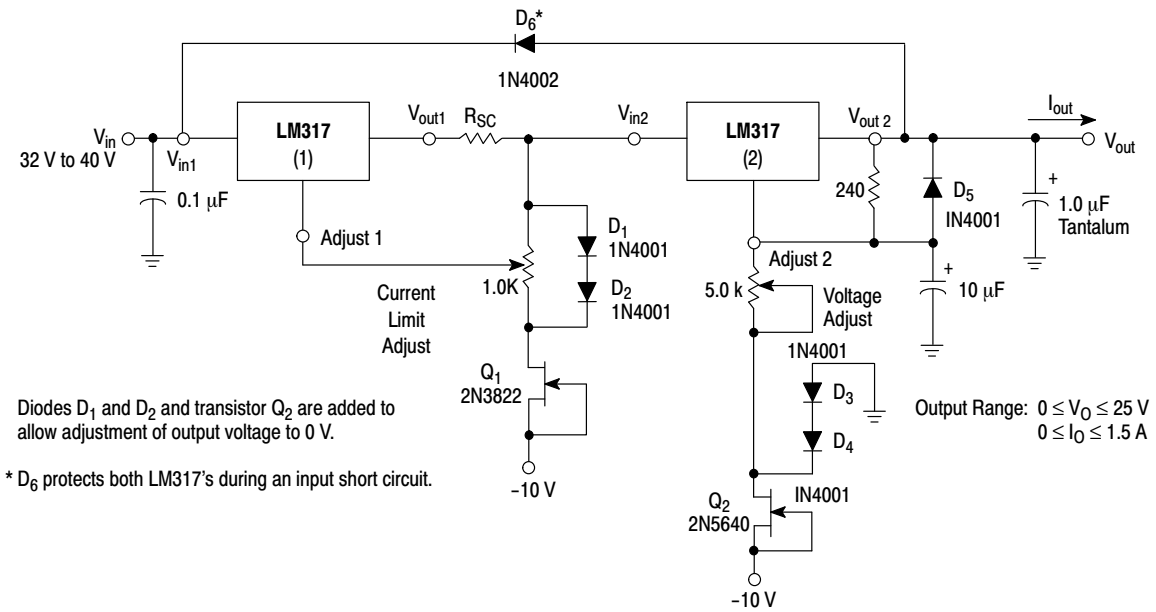
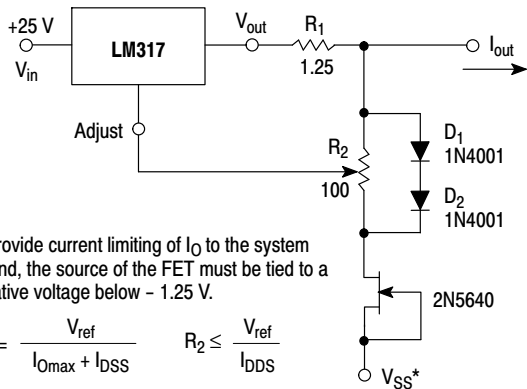


Figure 22. "Laboratory" Power Supply with Adjustable Current Limit and Output Voltage



# LM317, NCV317

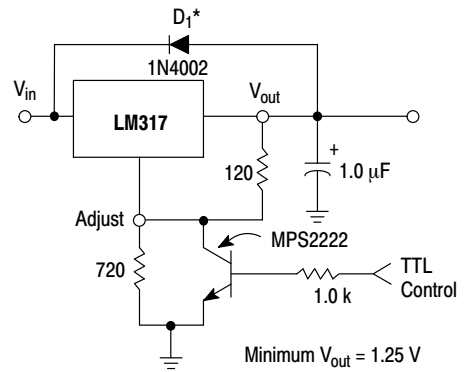


\* To provide current limiting of  $I_O$  to the system ground, the source of the FET must be tied to a negative voltage below  $-1.25$  V.

$$R_1 = \frac{V_{ref}}{I_{Omax} + I_{DSS}} \quad R_2 \leq \frac{V_{ref}}{I_{DSS}}$$

$V_O < BV_{DSS} + 1.25$  V +  $V_{SS}$ ,  
 $I_{Lmin} - I_{DSS} < I_O < 1.5$  A.  
 As shown  $0 < I_O < 1.0$  A.

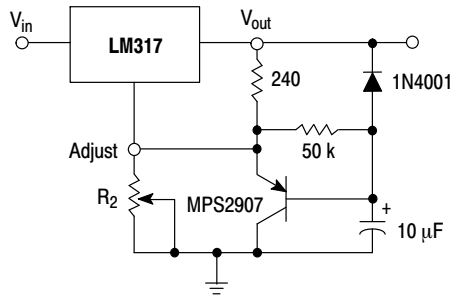
**Figure 23. Adjustable Current Limiter**



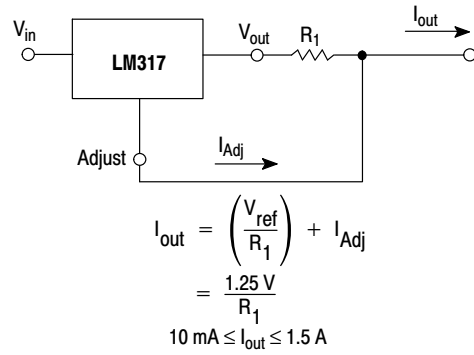
Minimum  $V_{out} = 1.25$  V

\*  $D_1$  protects the device during an input short circuit.

**Figure 24. 5.0 V Electronic Shutdown Regulator**



**Figure 25. Slow Turn-On Regulator**



$$I_{out} = \left( \frac{V_{ref}}{R_1} \right) + I_{Adj}$$

$$= \frac{1.25 \text{ V}}{R_1}$$

$$10 \text{ mA} \leq I_{out} \leq 1.5 \text{ A}$$

**Figure 26. Current Regulator**

# LM317, NCV317

## ORDERING INFORMATION

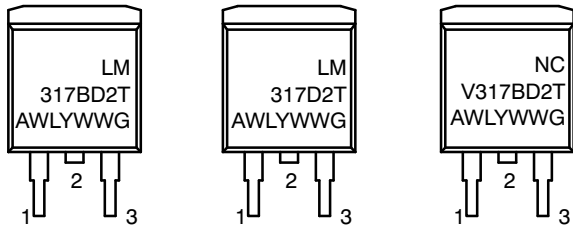
| Device         | Operating Temperature Range     | Package                        | Shipping†       |
|----------------|---------------------------------|--------------------------------|-----------------|
| LM317BD2T      | T <sub>J</sub> = -40° to +125°C | D <sup>2</sup> PAK-3           | 50 Units / Rail |
| LM317BD2TG     |                                 | D <sup>2</sup> PAK-3 (Pb-Free) |                 |
| LM317BD2TR4    |                                 | D <sup>2</sup> PAK-3           |                 |
| LM317BD2TR4G   |                                 | D <sup>2</sup> PAK-3 (Pb-Free) | 800 Tape & Reel |
| LM317BT        |                                 | TO-220                         | 50 Units / Rail |
| LM317BTG       |                                 | TO-220 (Pb-Free)               |                 |
| LM317D2T       | T <sub>J</sub> = 0° to +125°C   | D <sup>2</sup> PAK-3           | 50 Units / Rail |
| LM317D2TG      |                                 | D <sup>2</sup> PAK-3 (Pb-Free) | 50 Units / Rail |
| LM317D2TR4     |                                 | D <sup>2</sup> PAK-3           | 800 Tape & Reel |
| LM317D2TR4G    |                                 | D <sup>2</sup> PAK-3 (Pb-Free) | 800 Tape & Reel |
| LM317T         |                                 | TO-220                         | 50 Units / Rail |
| LM317TG        |                                 | TO-220 (Pb-Free)               |                 |
| NCV317BD2T*    | T <sub>J</sub> = -55° to +150°C | D <sup>2</sup> PAK-3           | 50 Units / Rail |
| NCV317BD2TG*   |                                 | D <sup>2</sup> PAK-3 (Pb-Free) | 50 Units / Rail |
| NCV317BD2TR4*  |                                 | D <sup>2</sup> PAK-3           | 800 Tape & Reel |
| NCV317BD2TR4G* |                                 | D <sup>2</sup> PAK-3 (Pb-Free) | 800 Tape & Reel |
| NCV317BT*      |                                 | TO-220                         | 50 Units / Rail |
| NCV317BTG*     |                                 | TO-220 (Pb-Free)               | 50 Units / Rail |

†For information on tape and reel specifications, including part orientation and tape sizes, please refer to our Tape and Reel Packaging Specifications Brochure, BRD8011/D.

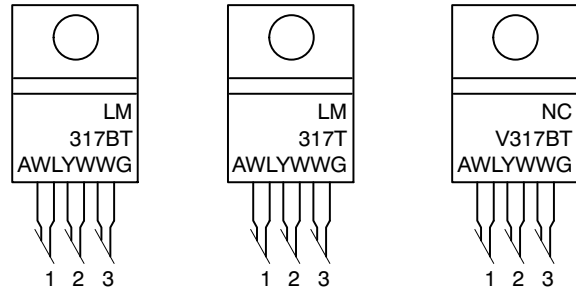
\*Devices are qualified for automotive use.

## MARKING DIAGRAMS

**D<sup>2</sup>PAK-3  
D2T SUFFIX  
CASE 936**



**TO-220  
T SUFFIX  
CASE 221A**

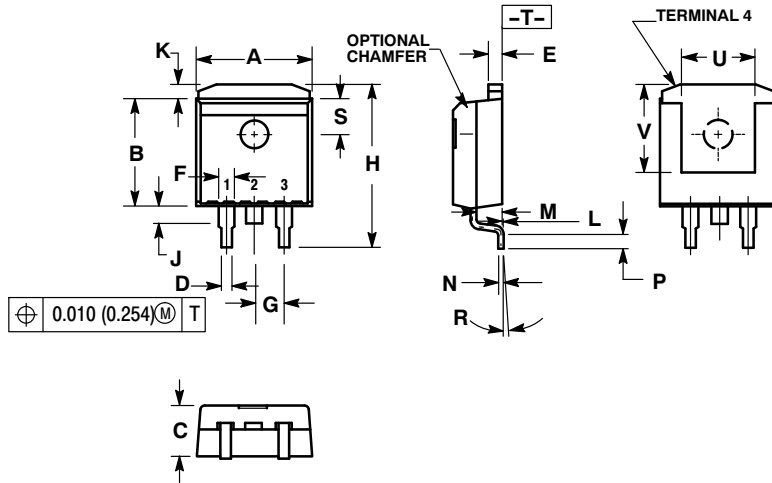


A = Assembly Location  
 WL = Wafer Lot  
 Y = Year  
 WW = Work Week  
 G = Pb-Free Package

# LM317, NCV317

## PACKAGE DIMENSIONS

**D<sup>2</sup>PAK-3**  
**D2T SUFFIX**  
 PLASTIC PACKAGE  
 CASE 936-03  
 ISSUE B

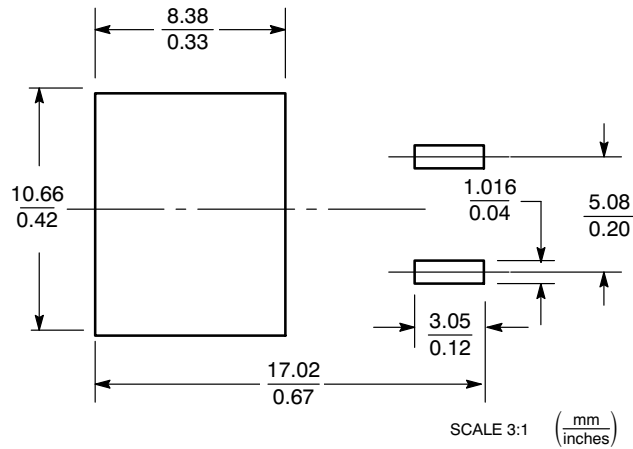


**NOTES:**

1. DIMENSIONING AND TOLERANCING PER ANSI Y14.5M, 1982.
2. CONTROLLING DIMENSION: INCH.
3. TAB CONTOUR OPTIONAL WITHIN DIMENSIONS A AND K.
4. DIMENSIONS U AND V ESTABLISH A MINIMUM MOUNTING SURFACE FOR TERMINAL 4.
5. DIMENSIONS A AND B DO NOT INCLUDE MOLD FLASH OR GATE PROTRUSIONS. MOLD FLASH AND GATE PROTRUSIONS NOT TO EXCEED 0.025 (0.635) MAXIMUM.

| DIM | INCHES    |       | MILLIMETERS |        |
|-----|-----------|-------|-------------|--------|
|     | MIN       | MAX   | MIN         | MAX    |
| A   | 0.386     | 0.403 | 9.804       | 10.236 |
| B   | 0.356     | 0.368 | 9.042       | 9.347  |
| C   | 0.170     | 0.180 | 4.318       | 4.572  |
| D   | 0.026     | 0.036 | 0.660       | 0.914  |
| E   | 0.045     | 0.055 | 1.143       | 1.397  |
| F   | 0.051 REF |       | 1.295 REF   |        |
| G   | 0.100 BSC |       | 2.540 BSC   |        |
| H   | 0.539     | 0.579 | 13.691      | 14.707 |
| J   | 0.125 MAX |       | 3.175 MAX   |        |
| K   | 0.050 REF |       | 1.270 REF   |        |
| L   | 0.000     | 0.010 | 0.000       | 0.254  |
| M   | 0.088     | 0.102 | 2.235       | 2.591  |
| N   | 0.018     | 0.026 | 0.457       | 0.660  |
| P   | 0.058     | 0.078 | 1.473       | 1.981  |
| R   | 5° REF    |       | 5° REF      |        |
| S   | 0.116 REF |       | 2.946 REF   |        |
| U   | 0.200 MIN |       | 5.080 MIN   |        |
| V   | 0.250 MIN |       | 6.350 MIN   |        |

### SOLDERING FOOTPRINT\*

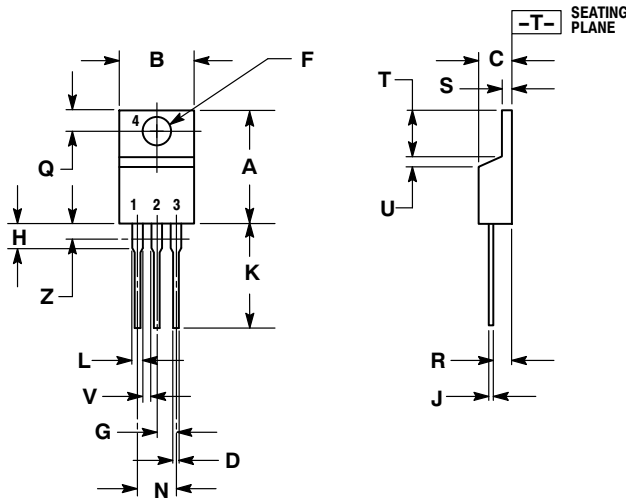


\*For additional information on our Pb-Free strategy and soldering details, please download the ON Semiconductor Soldering and Mounting Techniques Reference Manual, SOLDERRM/D.

# LM317, NCV317

## PACKAGE DIMENSIONS

TO-220, SINGLE GAUGE  
T SUFFIX  
PLASTIC PACKAGE  
CASE 221AB-01  
ISSUE O



NOTES:

1. DIMENSIONING AND TOLERANCING PER ANSI Y14.5M, 1982.
2. CONTROLLING DIMENSION: INCH.
3. DIMENSION Z DEFINES A ZONE WHERE ALL BODY AND LEAD IRREGULARITIES ARE ALLOWED.

| DIM | INCHES |       | MILLIMETERS |       |
|-----|--------|-------|-------------|-------|
|     | MIN    | MAX   | MIN         | MAX   |
| A   | 0.570  | 0.620 | 14.48       | 15.75 |
| B   | 0.380  | 0.405 | 9.66        | 10.28 |
| C   | 0.160  | 0.190 | 4.07        | 4.82  |
| D   | 0.025  | 0.035 | 0.64        | 0.88  |
| F   | 0.142  | 0.147 | 3.61        | 3.73  |
| G   | 0.095  | 0.105 | 2.42        | 2.66  |
| H   | 0.110  | 0.155 | 2.80        | 3.93  |
| J   | 0.018  | 0.025 | 0.46        | 0.64  |
| K   | 0.500  | 0.562 | 12.70       | 14.27 |
| L   | 0.045  | 0.060 | 1.15        | 1.52  |
| N   | 0.190  | 0.210 | 4.83        | 5.33  |
| Q   | 0.100  | 0.120 | 2.54        | 3.04  |
| R   | 0.080  | 0.110 | 2.04        | 2.79  |
| S   | 0.020  | 0.055 | 0.508       | 1.39  |
| T   | 0.235  | 0.255 | 5.97        | 6.47  |
| U   | 0.000  | 0.050 | 0.00        | 1.27  |
| V   | 0.045  | ---   | 1.15        | ---   |
| Z   | ---    | 0.080 | ---         | 2.04  |

**ON Semiconductor** and **ON** are registered trademarks of Semiconductor Components Industries, LLC (SCILLC). SCILLC reserves the right to make changes without further notice to any products herein. SCILLC makes no warranty, representation or guarantee regarding the suitability of its products for any particular purpose, nor does SCILLC assume any liability arising out of the application or use of any product or circuit, and specifically disclaims any and all liability, including without limitation special, consequential or incidental damages. "Typical" parameters which may be provided in SCILLC data sheets and/or specifications can and do vary in different applications and actual performance may vary over time. All operating parameters, including "Typicals" must be validated for each customer application by customer's technical experts. SCILLC does not convey any license under its patent rights nor the rights of others. SCILLC products are not designed, intended, or authorized for use as components in systems intended for surgical implant into the body, or other applications intended to support or sustain life, or for any other application in which the failure of the SCILLC product could create a situation where personal injury or death may occur. Should Buyer purchase or use SCILLC products for any such unintended or unauthorized application, Buyer shall indemnify and hold SCILLC and its officers, employees, subsidiaries, affiliates, and distributors harmless against all claims, costs, damages, and expenses, and reasonable attorney fees arising out of, directly or indirectly, any claim of personal injury or death associated with such unintended or unauthorized use, even if such claim alleges that SCILLC was negligent regarding the design or manufacture of the part. SCILLC is an Equal Opportunity/Affirmative Action Employer. This literature is subject to all applicable copyright laws and is not for resale in any manner.

### PUBLICATION ORDERING INFORMATION

**LITERATURE FULFILLMENT:**

Literature Distribution Center for ON Semiconductor  
P.O. Box 5163, Denver, Colorado 80217 USA  
Phone: 303-675-2175 or 800-344-3860 Toll Free USA/Canada  
Fax: 303-675-2176 or 800-344-3867 Toll Free USA/Canada  
Email: orderlit@onsemi.com

**N. American Technical Support:** 800-282-9855 Toll Free USA/Canada  
**Europe, Middle East and Africa Technical Support:**  
Phone: 421 33 790 2910  
**Japan Customer Focus Center**  
Phone: 81-3-5773-3850

**ON Semiconductor Website:** [www.onsemi.com](http://www.onsemi.com)

**Order Literature:** <http://www.onsemi.com/orderlit>

For additional information, please contact your local Sales Representative