

# Component General, Inc.

## Coaxial N Female Terminations

### MECHANICAL SPECIFICATIONS



Connector: Brass, Nickel Plated.

Insulator: PTFE, Virgin grade.

Impedance: 50  $\Omega$ .

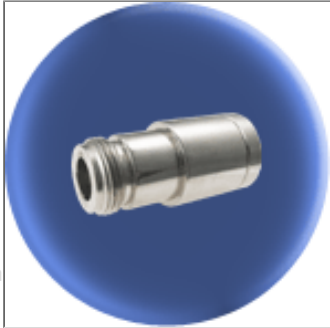
high power Coaxial N Female terminations product selection chart

P/N	Power Avg.	Power Peak	Length	Width
CFT-2 NF	2 W	1.5 KW.	1.600"	0.800"
CFT-5 NF	5 W	2 KW.	1.700"	0.800"
CFT-15 NF	15 W	2 KW.	2.550"	1.250"
CFT-100 NF	100 W	N/A	6.250"	6.000"
CHT-150 NF	150 W	N/A	2.361"	2.000"
CHT-200 NF	200 W	N/A	3.750"	1.000"
CHT-200-1 NF	200 W	N/A	2.375"	1.000"
CHT-200-2 NF	200 W	N/A	2.375"	0.750"
CHT-200-3 NF	200 W	N/A	3.750"	1.000"
CHT-250 NF	150 W	N/A	2.361"	2.000"
CHT-250-1 NF	250 W	N/A	2.100"	1.500"
CHT-300 NF	300 W	N/A	3.400"	1.625"

# Component General, Inc.

P/N:CFT-2 NF

Coaxial N Series



## Electrical Specifications

**Peak Power:**

1.5 KW.

**Average Power:**

2 W.

**Frequency Range:**

DC - 6.0 GHz

6.0 - 12.4 GHz

**VSWR (Max.):**

1.15:1

1.25:1

**Impedance:**

50  $\Omega$

## Mechanical Specifications

**Connector:**

Brass, Nickel plated.

**Contact:**

Brass, Gold plated.

**Housing:**

Brass, Nickel plated.

**Insulator:**

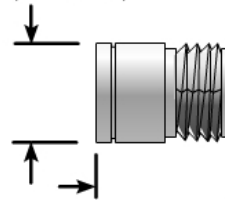
PTFE, Virgin grade.

**Weight:**

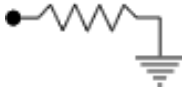
61.0 Grams.

## Part Dimensions

0.750" (19.050mm)



1.600" (40.640mm)

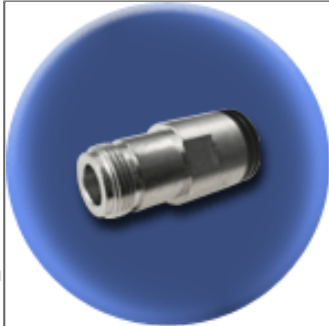


2445 Success Drive Odessa, FL 33556  
727-376-6655 or 800-246-4084

# Component General, Inc.

P/N:CFT - 5 NF

Coaxial Terminations



## Electrical Specifications

**Average Power:**

5 W.

**Frequency Range:**

DC - 6.0 GHz  
6.0 - 12.4 GHz

**VSWR (Max.):**

1.20:1  
1.35:1

**Peak Power:**

2.0 K W.

**Impedance:**

50  $\Omega$

## Mechanical Specifications

**Connector:**

Brass, Nickel plated.

**Contact:**

Brass, Gold Plated.

**Housing:**

Aluminum, Black, Anodized.

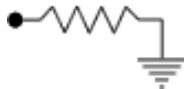
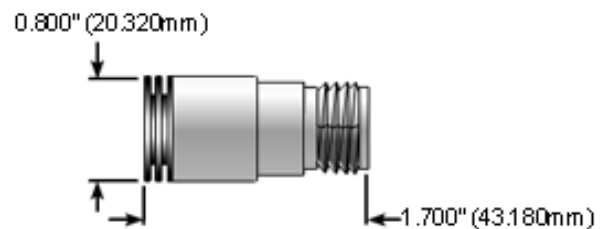
**Insulator:**

PTFE, Virgin grade.

**Weight:**

45.0 Grams.

## Part Dimensions

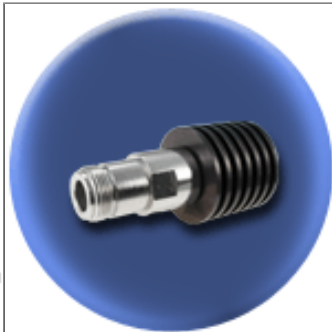


2445 Success Drive Odessa, FL 33556  
727-376-6655 or 800-246-4084

# Component General, Inc.

P/N:CFT - 15 NF

Coaxial Terminations



## Electrical Specifications

**Average Power:**

15 W.

**Frequency Range:** **VSWR (Max.):**

DC - 6.0 GHz

1.20:1

6.0 - 12.4 GHz

1.35:1

**Peak Power:**

2.0 K W.

**Impedance:**

50  $\Omega$

## Mechanical Specifications

**Connector:**

Brass, Nickel plated.

**Contact:**

Brass, Silver Plated

**Housing:**

Aluminum, Black Anodized.

**Insulator:**

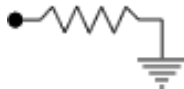
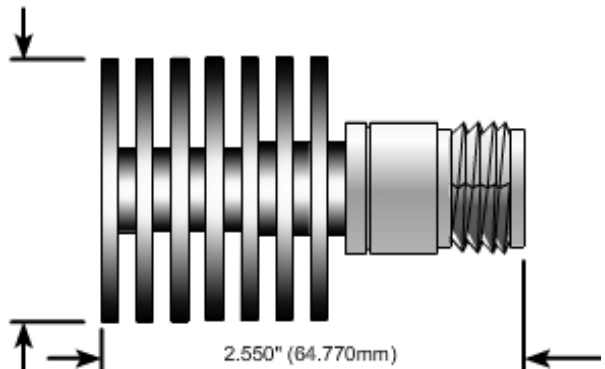
PTFE, Virgin grade.

**Weight:**

83.0 Grams.

## Part Dimensions

1.250" (31.750mm)

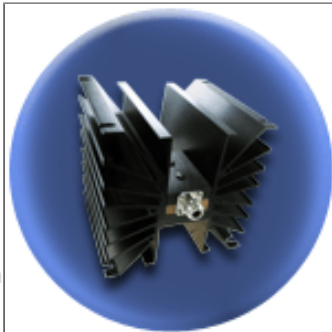


2445 Success Drive Odessa, FL 33556  
727-376-6655 or 800-246-4084

# Component General, Inc.

P/N:CFT - 100 NF

Coaxial Terminations



## Electrical Specifications

**Power:**

100 W.

**Frequency Range:**

DC - 1.0 GHz

1.0 - 2.0 GHz

**VSWR (Max.):**

1.08:1

1.15:1

**Impedance:**

50  $\Omega$

## Mechanical Specifications

**Connector:**

Brass, Nickel plated.

**Contact:**

Brass, Silver plated .

**Heat Sink:**

Aluminum, Black Anodized.

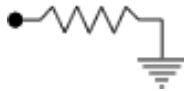
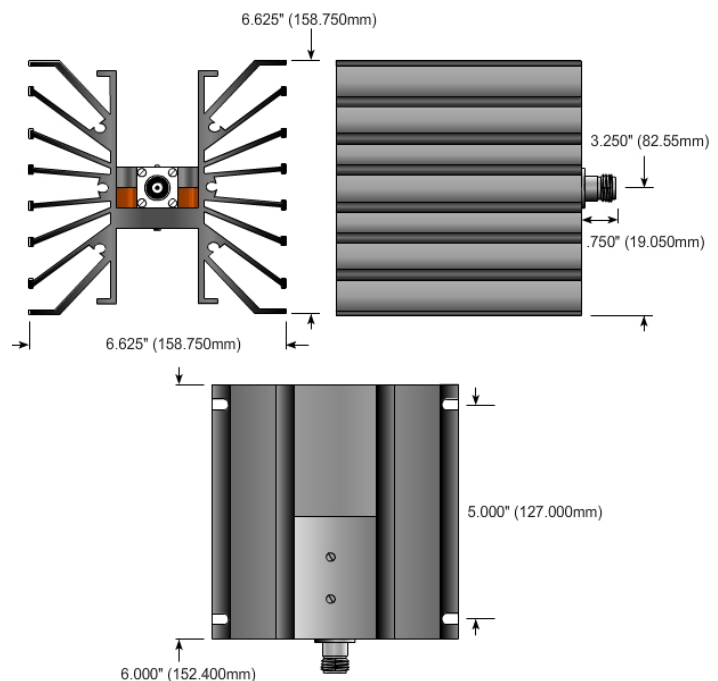
**Housing:**

Aluminum, Black, Anodized.

**Insulator:**

PTFE, Virgin grade.

## Part Dimensions



2445 Success Drive Odessa, FL 33556  
727-376-6655 or 800-246-4084

# Component General, Inc.

P/N:CHT - 150 NF

Coaxial Terminations



## Electrical Specifications

**Power:**

150 W.

**Frequency Range:**

DC - 1.0 GHz  
1.0 - 2.0 GHz

**VSWR (Max.):**

1.15:1  
1.40:1

**Impedance:**

50 Ω

## Mechanical Specifications

**Contact:**

Beryllium Copper, Silver plated..

**Connector:**

Brass, Nickel plated.

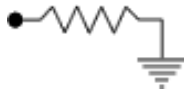
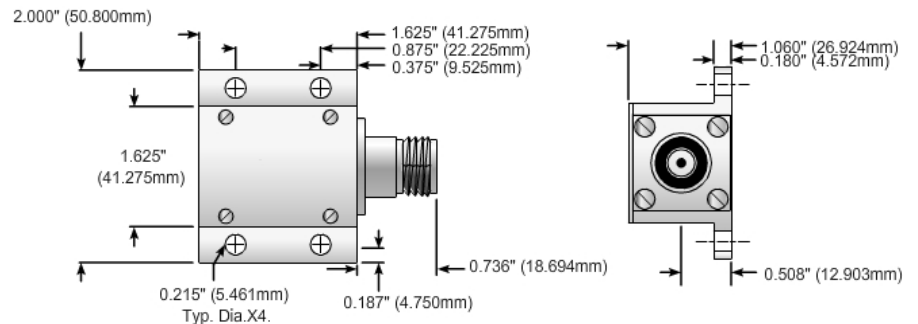
**Housing:**

Copper, Nickel plated.

**Insulator:**

PTFE, Virgin grade

## Part Dimensions



The CHT Series high power coaxial terminations are conduction cooled loads. They are designed to be mounted on a heat sink ground plane or a chill plate. The power ratings require that the base plate of the CHT-15-2 does not exceed 100°C or 85°C for all other sizes.

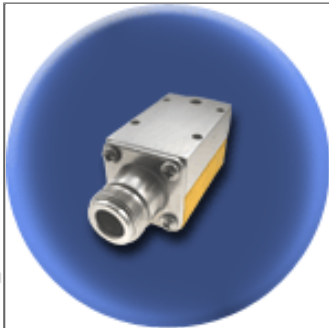


2445 Success Drive Odessa, FL 33556  
727-376-6655 or 800-246-4084

# Component General, Inc.

P/N:CHT - 200 NF

Coaxial Terminations



## Electrical Specifications

### Power:

200 W on Adequate  
Heat Sink.

### Frequency Range:

DC - 1.0 GHz

### VSWR (Max.):

1.08:1

### Impedance:

50  $\Omega$

## Mechanical Specifications

### Cover:

Aluminum, Clear iridited.

### Connector:

Brass, Nickel plated.

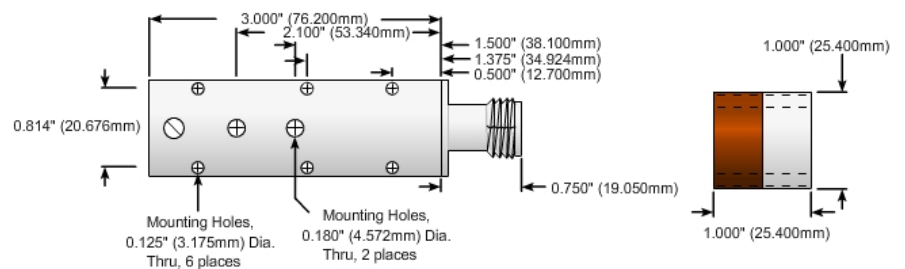
### Housing:

Copper, Bare.

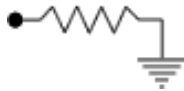
### Insulator:

PTFE, Virgin grade.

## Part Dimensions



Note: Mounting hole spacing can be altered to meet your needs.



The CHT Series high power coaxial terminations are conduction cooled loads. They are designed to be mounted on a heat sink ground plane or a chill plate. The power ratings require that the base plate of the CHT-15-2 does not exceed 100°C or 85°C for all other sizes.

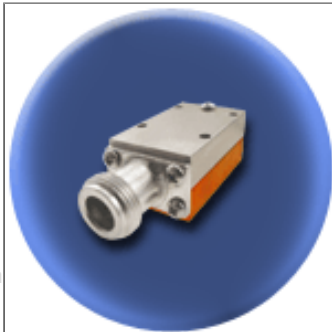


2445 Success Drive Odessa, FL 33556  
727-376-6655 or 800-246-4084

# Component General, Inc.

P/N:CHT - 200-1 NF

Coaxial Terminations



## Electrical Specifications

**Power:**

200 W on Adequate  
Heat Sink.

**Frequency Range:**

DC - 1.0 GHz

**VSWR (Max.):**

1.08:1

**Impedance:**

50  $\Omega$

## Mechanical Specifications

**Cover:**

Aluminum, Gold iredited .

**Connector:**

Brass, Nickel plated.

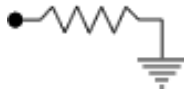
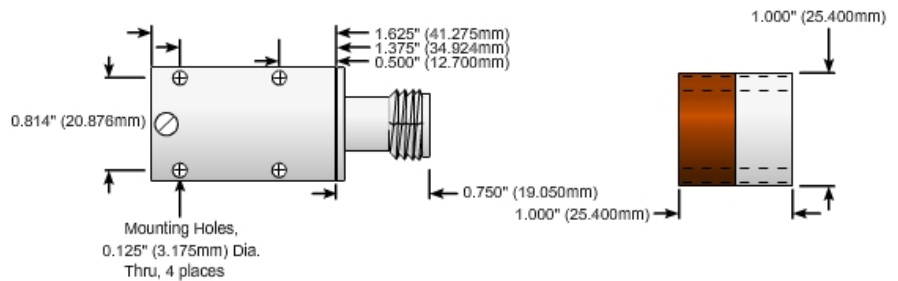
**Housing:**

Copper, Bare .

**Insulator:**

PTFE, Virgin grade.

## Part Dimensions



Note: Mounting hole spacing can be altered to meet your needs.

The CHT Series high power coaxial terminations are conduction cooled loads. They are designed to be mounted on a heat sink ground plane or a chill plate. The power ratings require that the base plate of the CHT-15-2 does not exceed 100°C or 85°C for all other sizes.



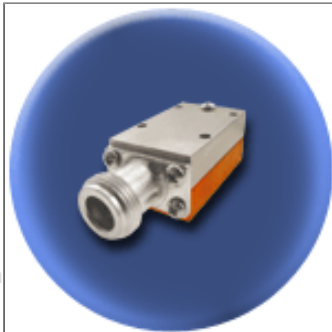
2445 Success Drive Odessa, FL 33556  
727-376-6655 or 800-246-4084



# Component General, Inc.

P/N: CHT - 200-2 NF

Coaxial Terminations



## Electrical Specifications

### Power:

200 W on Adequate  
Heat Sink.

### Frequency Range:

DC - 1.0 GHz

### VSWR (Max.):

1.08:1

### Impedance:

50  $\Omega$

## Mechanical Specifications

### Cover:

Aluminum, Gold iredited .

### Connector:

Brass, Nickel plated.

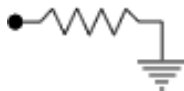
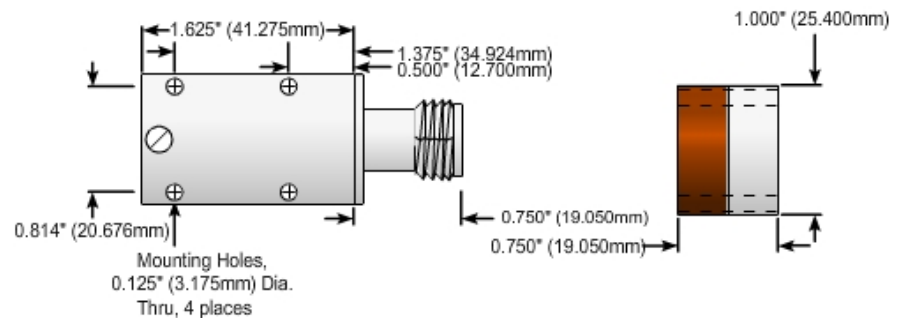
### Housing:

Copper, Bare .

### Insulator:

PTFE, Virgin grade.

## Part Dimensions



The CHT Series high power coaxial terminations are conduction cooled loads. They are designed to be mounted on a heat sink ground plane or a chill plate. The power ratings require that the base plate of the CHT-15-2 does not exceed 100°C or 85°C for all other sizes.

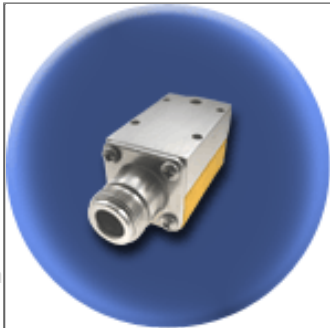


2445 Success Drive Odessa, FL 33556  
727-376-6655 or 800-246-4084

# Component General, Inc.

P/N:CHT - 200-3 NF

Coaxial Terminations



## Electrical Specifications

### Power:

200 W on Adequate Heat Sink.

### Frequency Range:

DC - 1.0 GHz

### VSWR (Max.):

1.08:1

### Impedance:

50  $\Omega$

## Mechanical Specifications

### Cover:

Aluminum, Gold iridited .

### Connector:

Brass, Nickel plated.

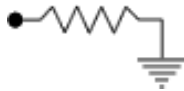
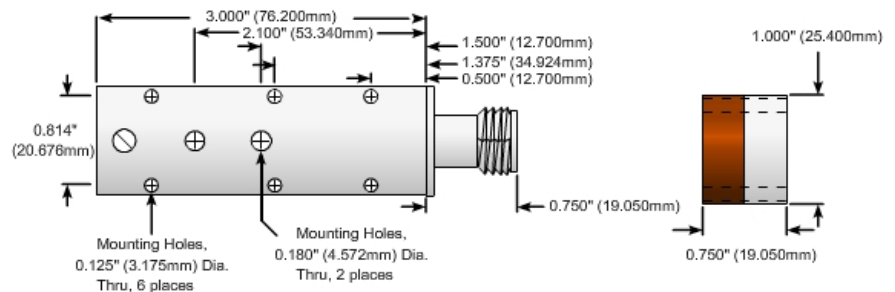
### Housing:

Copper, Bare .

### Insulator:

PTFE, Virgin grade.

## Part Dimensions



Note: Mounting hole spacing can be altered to meet your needs.

The CHT Series high power coaxial terminations are conduction cooled loads. They are designed to be mounted on a heat sink ground plane or a chill plate. The power ratings require that the base plate of the CHT-15-2 does not exceed 100°C or 85°C for all other sizes.

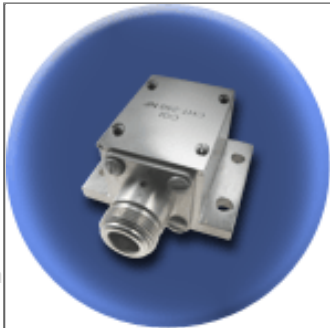


2445 Success Drive Odessa, FL 33556  
727-376-6655 or 800-246-4084

# Component General, Inc.

P/N:CHT - 250 NF

Coaxial Terminations



## Electrical Specifications

	Frequency Range:	VSWR (Max.):
<b>Power:</b> 250 W.	DC - 200 MHz	1.15:1
	200 - 400 MHz	1.25:1
	400 - 800 MHz	1.30:1
<b>Impedance:</b> 50 $\Omega$		

## Mechanical Specifications

### Contact:

Beryllium Copper, Silver plated..

### Connector:

Brass, Nickel plated.

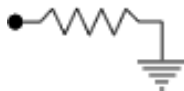
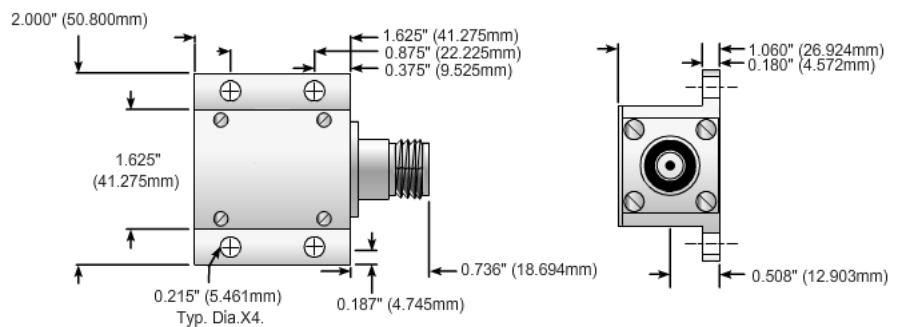
### Housing:

Copper, Nickel plated.

### Insulator:

PTFE, Virgin grade.

## Part Dimensions



The CHT Series high power coaxial terminations are conduction cooled loads. They are designed to be mounted on a heat sink ground plane or a chill plate. The power ratings require that the base plate of the CHT-15-2 does not exceed 100°C or 85°C for all other sizes.

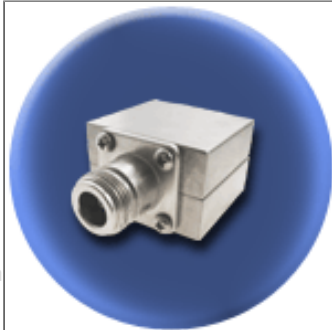


2445 Success Drive Odessa, FL 33556  
727-376-6655 or 800-246-4084

# Component General, Inc.

P/N: CHT - 250-1 NF

Coaxial Terminations



## Electrical Specifications

**Power:**

250 W on Adequate Heat Sink.

**Frequency Range:**

DC - 1.0 GHz

**VSWR (Max.):**

1.10:1

**Impedance:**

50  $\Omega$

## Mechanical Specifications

**Cover:**

Copper, Nickel Plated.

**Connector:**

Brass, Nickel plated.

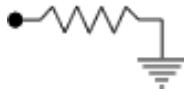
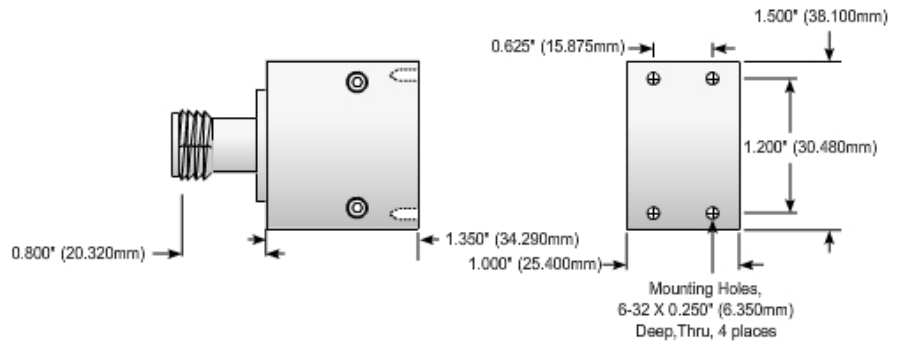
**Housing:**

Copper, Nickel Plated.

**Insulator:**

PTFE, Virgin grade.

## Part Dimensions



Note: Mounting hole spacing can be altered to meet your needs.

The CHT Series high power coaxial terminations are conduction cooled loads. They are designed to be mounted on a heat sink ground plane or a chill plate. The power ratings require that the base plate of the CHT-15-2 does not exceed 100°C or 85°C for all other sizes.

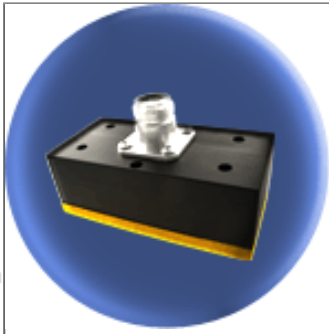


2445 Success Drive Odessa, FL 33556  
727-376-6655 or 800-246-4084

# Component General, Inc.

P/N:CHT - 300 NF

## Coaxial Terminations



### Electrical Specifications

**Power:**

250 W on Adequate Heat Sink.

**Frequency Range:**

DC - 1.0 GHz

**VSWR (Max.):**

1.10:1

**Return Loss:**

-26 dB (Standard)

**Impedance:**

50 Ω

### Mechanical Specifications

**Cover:**

Aluminum, Black Anodized .

**Connector:**

Brass, Nickel plated.

**Housing:**

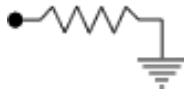
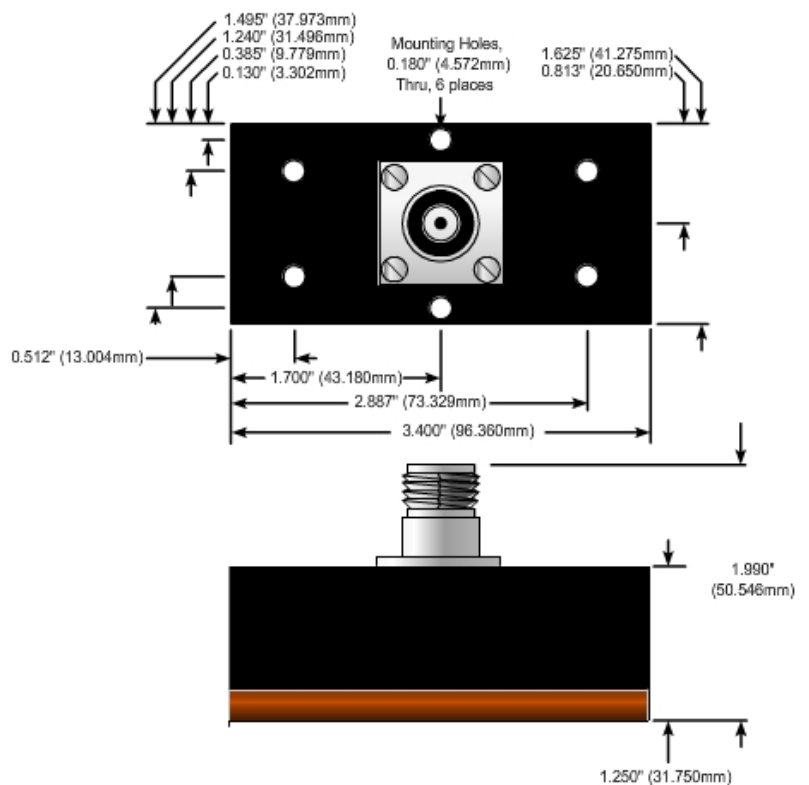
Copper, Bare .

**Insulator:**

PTFE, Virgin grade.

**Note: Mounting hole spacing can be altered to meet your needs.**

### Part Dimensions



The CHT Series high power coaxial terminations are conduction cooled loads. They are designed to be mounted on a heat sink ground plane or a chill plate. The power ratings require that the base plate of the CHT-15-2 does not exceed 100°C or 85°C for all other sizes.



2445 Success Drive Odessa, FL 33556  
727-376-6655 or 800-246-4084