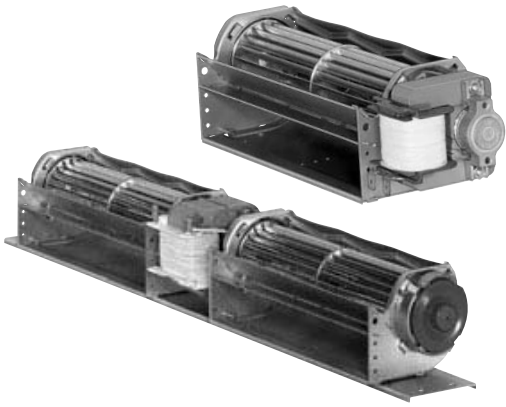


# QLK45AC Series Crossflow Blower

## 120... 300mm x Ø 45mm Impeller

- Compact product line, impeller diameter 45 mm.
- Mounting position horizontal or vertical with motor at the bottom.
- Permissible ambient temperature 0-60° C.
- Insulation class B, class F or H on request.
- Minimum order quantity may apply.



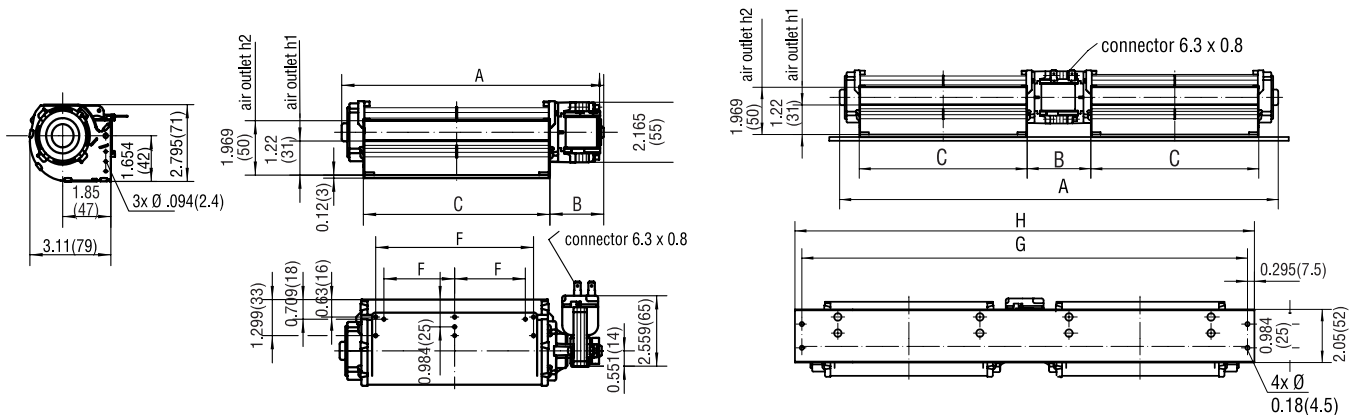
Part Number	Model Number	Motor Position (L/R)	VAC	Hertz	Airflow (CFM)**	Max. Static Pressure (Pa)	Power Input (W)**	Speed* (RPM)	Weight (lbs.)	Coil Position**	Insulation Class
***	QLK45/1200-2513LH	R	115	60	47	66	17	2,250	1.4	0	H
***	QLK45/0012-2513LH	L	115	60	47	66	17	2,250	1.4	0	H
55442.41010	QLK45/1800A156-2518LH-26LU	R	115	60	69	73	28	2,200	1.9	90	H
55442.45500	QLK45/0018A141-2518LH-86LU	L	115	60	69	73	28	2,200	1.9	0	H
55442.55062	QLK45/2400A13-2524L-35KX	R	115	60	107	83	41	2,100	2.4	0	B
55442.60082	QLK45/0024A14-2524L-34KX	L	115	60	107	83	41	2,100	2.4	0	B
55442.70170	QLK45/3000A31-3030LH-115AEP	R	115	60	133	88	40	2,100	3.2	90	H
55442.75051	QLK45/0030A10-3030L-26ZT	L	115	60	133	88	40	2,100	3.2	0	B
<b>TWIN Series (double housing)</b>											
55442.50190	QLK45/1818A19-3038L-62YY	M	115	60	160	80	50	2,200	5.0	0	B
55442.65051	QLK45/2424A5-3045L-45HV	M	115	60	187	88	62	2,050	5.5	180	B

\* Data based on free delivery conditions. Subject to alterations.

\*\* See Fig. 1 on page 234.

\*\*\* Contact application engineering for part number.

Model Number	Motor Position	A		B		C		E		F		G		H	
		inch	mm	inch	mm	inch	mm	inch	mm	inch	mm	inch	mm	inch	mm
QLK45/1200-2513LH	R	7.87	200	2.17	55	4.80	122	3.70	94	-	-	-	-	-	-
QLK45/0012-2513LH	L	7.87	200	2.17	55	4.80	122	3.70	94	-	-	-	-	-	-
QLK45/1800A156-2518LH-26LU	R	10.43	265	2.36	60	7.17	182	6.06	154	2.72	69	-	-	-	-
QLK45/0018A141-2518LH-86LU	L	10.43	265	2.36	60	7.17	182	6.06	154	2.72	69	-	-	-	-
QLK45/2400A13-2524L-35KX	R	13.03	331	2.60	66	9.53	242	8.35	212	3.86	98	-	-	-	-
QLK45/0024A14-2524L-34KX	L	13.03	331	2.60	66	9.53	242	8.35	212	3.86	98	-	-	-	-
QLK45/3000A31-3030LH-115AEP	R	15.39	391	2.60	66	11.89	302	10.71	272	5.04	128	-	-	-	-
QLK45/0030A10-3030L-26ZT	L	15.39	391	2.60	66	11.89	302	10.71	272	5.04	128	-	-	-	-
QLK45/1818A19-3038L-62YY	M	19.37	492	3.19	81	7.17	182	-	-	-	-	19.49	495	20.08	510
QLK45/2424A5-3045L-45HV	M	24.41	620	3.50	89	9.53	242	-	-	-	-	24.41	620	25.00	635



**ebmpapst**

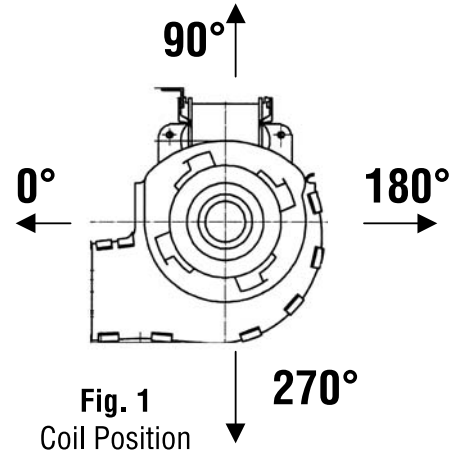
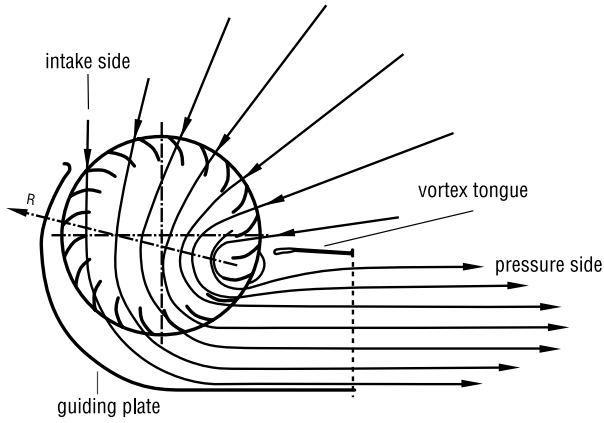
e-mail: sales@us.ebmpapst.com · TEL: 860-674-1515 · FAX: 860-674-8536

ebm-papst Inc., 100 Hyde Road, Farmington, CT 06034 USA

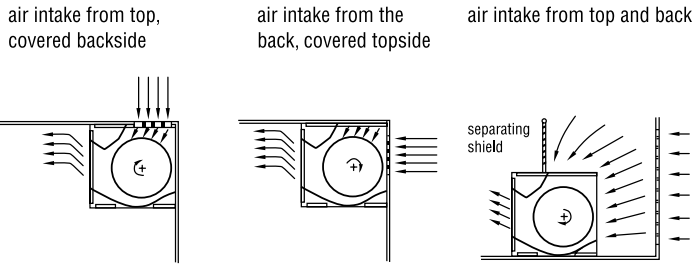
ebm-papst Inc., 2006 © ebm-papst Inc. reserves the right to change any specifications or data without notice

# Crossflow Blower Installation Recommendations

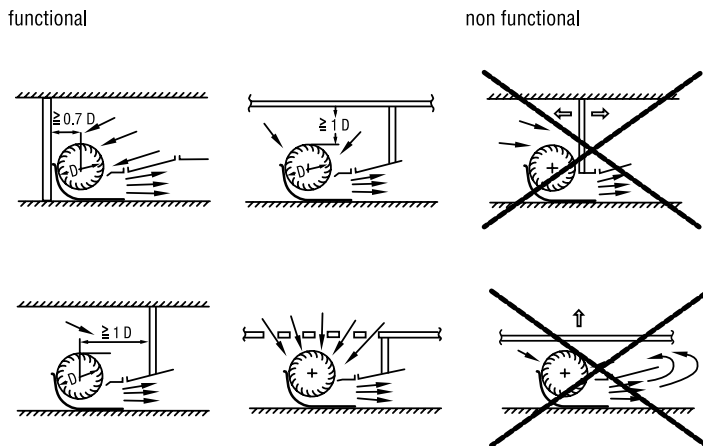
## Vortex stream through tangential blower



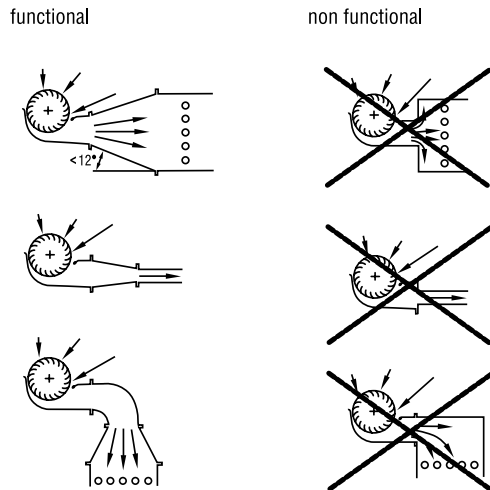
### Mounting conditions for QL 4 series



### Mounting conditions on intake side QLK, QLZ, QLN



### Mounting conditions on pressure side QLK, QLZ, QLN



### Separation of suction and pressure area

