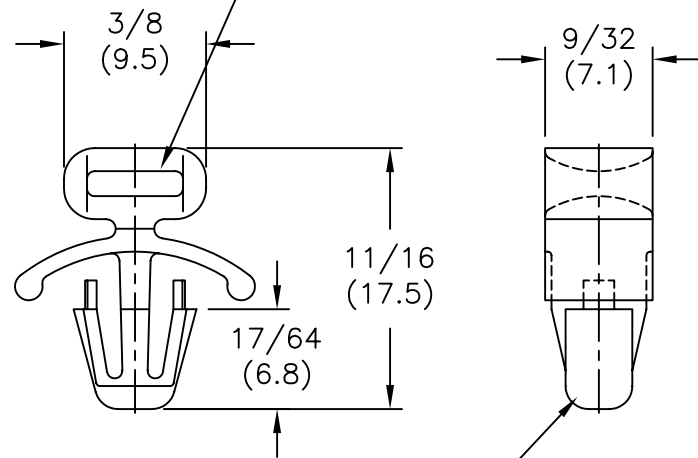
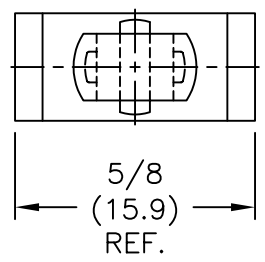


ACCOMMODATES WIT-18 THRU  
WIT-60, QTE-18, QTE-30 AND QTE-50 TIES



TO SNAP-LOCK IN A.250±.003  
(6.35±.08) DIA. HOLE, IN A  
.047-.109 (1.19-2.77)  
THICK PANEL/BOARD



NOTES:

1. MATERIAL: NYLON 6/6 (RMS-01).  
FLAME RETARDANT NYLON (RMS-19),  
AVAILABLE BY SPECIAL ORDER ONLY;  
TO ORDER USE P/N: FTH-6-19.
2. COLOR: NATURAL.

TITLE: FLAT TIE HOLDER					DWG IN IN (MM)		
E	SEE ECN #1124 FOR CHANGES	SK 01.24.06	TOLERANCES UNLESS NOTED	FILE # FTH-6	DWN: P.B.	APP:	FINAL
D	CHANGED FILE NO.	SM 06.13.02	.XX=±.010	MAT'L: SEE NOTES	DT: 06-29-94	DT:	PART #
C	MAT'L AND CABLE TIE NOTES UPDATED	J.L. 01.07.00	.XXX=±.005	RE: RICHCO, INC.	RICHCO INC.		FTH-6-01
B	(RMS-19) (VO) NOTE ADDED	M.B. 10.11.99	FRAC=±1/64	PO BOX 804238, CHICAGO, 60680		PRINT TYPE	
A	CONVERTED TO ACAD	PB 06.29.94	ANG=±1'	(773) 539-4060		CA	
REV	DESCRIPTION	ENGR DATE					