

PLEASE CHECK WWW.MOLEX.COM FOR LATEST PART INFORMATION

Part Number: [0003091122](#)
Status: **Active**
Overview: [standard_093](#)
Description: 2.36mm (.093") Diameter Standard .093 Pin and Socket Receptacle Housing, 12 Circuits, 3 Rows, without Panel Mount Ears, without Passive Lock Ramp

Documents:

3D Model	Product Specification PS-02-09 (PDF)
Packaging Specification (PDF)	Product Specification PS-43660-9999 (PDF)
Drawing (PDF)	RoHS Certificate of Compliance (PDF)

Agency Certification

CSA	LR19980
UL	E29179

General

Product Family	Crimp Housings
Series	1360
Comments	12.5A max. can be achieved when housing is used with 42477 or 42478 terminals
Overview	standard_093
Product Name	Standard .093"

Physical

Circuits (maximum)	12
Color - Resin	Natural
Flammability	94V-2
Gender	Dual
Glow-Wire Compliant	No
Lock to Mating Part	None
Material - Resin	Nylon
Number of Rows	3
Packaging Type	Bag
Panel Mount	No
Pitch - Mating Interface (in)	0.198 In
Pitch - Mating Interface (mm)	5.03 mm
Stackable	No
Temperature Range - Operating	-40°C to +105°C

Electrical

Current - Maximum per Contact	9.5A
-------------------------------	------

Material Info

Old Part Number	1360-R1
-----------------	---------

Reference - Drawing Numbers

Packaging Specification	PK-1360-001
Product Specification	PS-02-09, PS-43660-9999
Sales Drawing	SD-1360-*

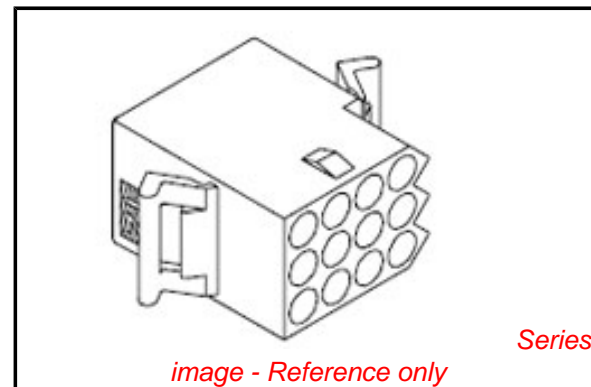


image - Reference only

EU RoHS

ELV and RoHS Compliant
REACH SVHC Contains SVHC: No
Halogen-Free
Status Not Reviewed

China RoHS



Need more information on product environmental compliance?

Email productcompliance@molex.com
 For a multiple part number RoHS Certificate of Compliance, [click here](#)

Please visit the [Contact Us](#) section for any non-product compliance questions.

Search Parts in this Series

[1360Series](#)

Mates With

[3099](#) shrouded PCB connector, [1360p](#)

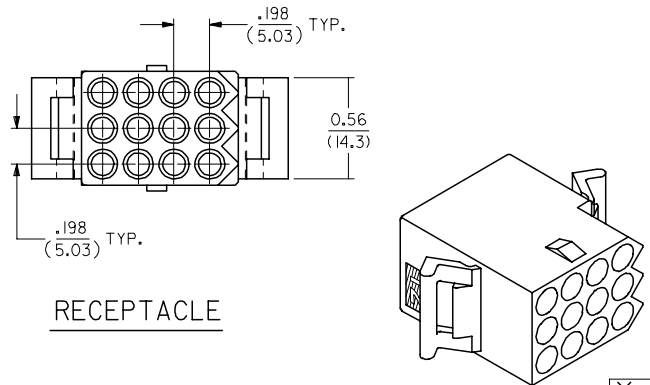
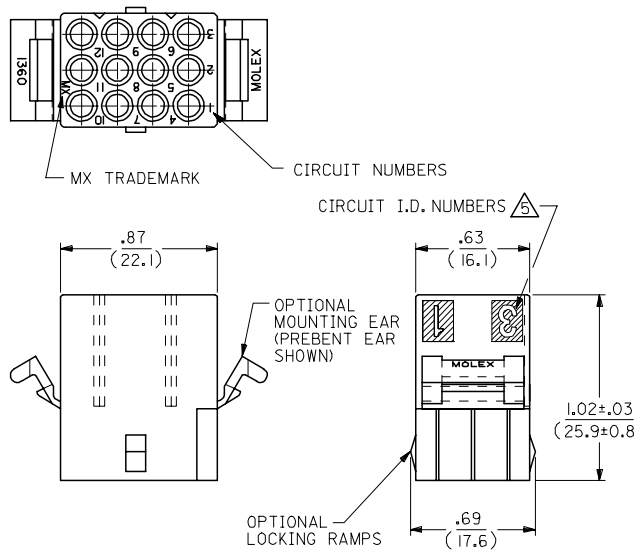
Use With

[1189](#) Crimp Terminals, [1190](#) Crimp Terminals, [1376](#) Male PC Tail Terminals, [1377](#) Female PC Tail Terminals, [1380](#) Male Crimp Terminals, [1381](#) Female Crimp Terminals, [1433](#) Crimp Terminals, [1434](#) Male Crimp Terminals, [1973](#) , [2151](#) , [2273](#) , [2870](#) , [2871](#) , [4272](#) , [4550](#) , [6271](#) , [6310](#) , [42477](#) , [42478](#)

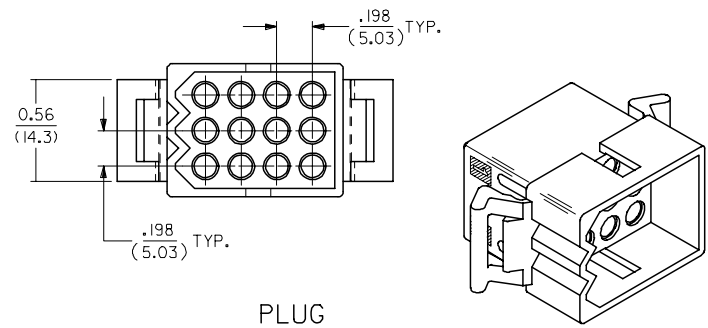
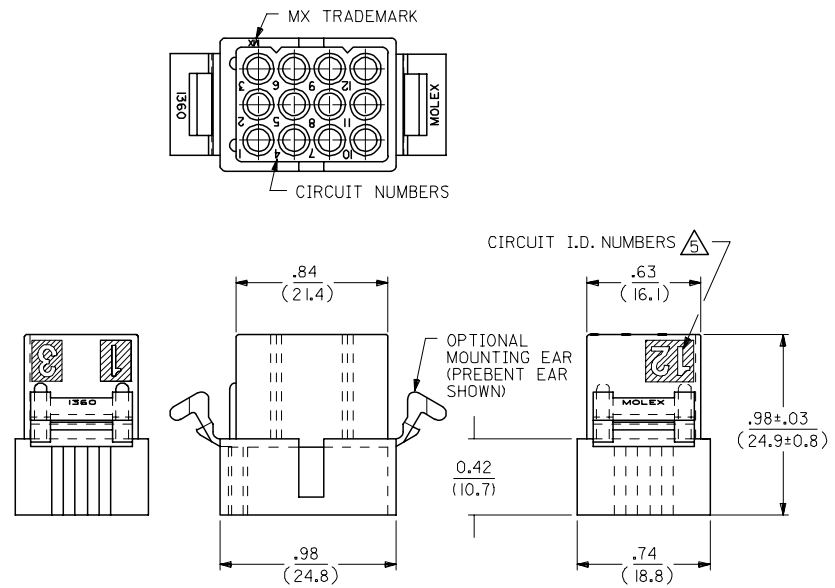
13 12 11 10 9 8 7 6 5 4 3 2 1

J
I
H
G
F
E
D
C
B
A

J
I
H
G
F
E
D
C
B
A



RECEPTACLE



PLUG

UPDATE TITLE BLOCK EC NO: UCP2006-0080 DRAWN: JLOME CHKD: 2005/07/20 APPR: FSM TH 2005/07/21 REV DESCRIPTION AE1	QUALITY SYMBOLS ▽=0 ▽=0	GENERAL TOLERANCES (UNLESS SPECIFIED) mm INCH 4 PLACES ± --- ± --- 3 PLACES ± --- ± .010 2 PLACES ± 0.25 ± .014 1 PLACE ± 0.35 ± --- ANGULAR ± 2 °	DIMENSION STYLE IN/MM DRAWN BY DATE KBW 3/1/89 CHECKED BY DATE RW 3/1/89 APPROVED BY DATE RAS 3/1/89 MATERIAL NO. DOCUMENT NO.	SCALE 2:1 DESIGN UNITS INCH THIRD ANGLE PROJECTION	SHEET NO. 1 OF 2 SHT/REV
	TITLE .093/(2.36) HOUSINGS PLUG AND RECEPTACLE 12 CKT, .198/(5.03)CTR.				
	MATERIAL NO. SD-1360-* MOLEX INCORPORATED				
	DRAFT WHERE APPLICABLE MUST REMAIN WITHIN DIMENSIONS SEE CHART				

12 11 10 9 8 7 6 5 4 3 2 1

PLUG		
ORDER NO	ENG NO	
03-09-2121	I360-P	
03-09-2122 \triangle	I360-P1	
03-09-7121	I360-PBK	
03-09-7122 \triangle	I360-P1BK	OBSOLETE

RECEPTACLE	
ORDER NO	ENG NO
03-09-1121	I360-R
03-09-1122	I360-R1
03-09-1125	I360-R2
03-09-1126	I360-R3
03-09-6121	I360-RBK
03-09-6122	I360-R1BK
03-09-6125	I360-R2BK
03-09-6126	I360-R3BK
03-09-6123	I360-R1RD
03-09-6124	I360-R1YW

LEGEND: PLUG

I360-P***

P = PLUG

BLANK = WITHOUT EARS

I = WITH MOUNTING EARS

COLOR:

BLANK = NATURAL COLOR

AM = AMBER BK = BLACK BU = BLUE

BN = BROWN GY = GRAY GN = GREEN

OR = ORANGE RD = RED YW = YELLOW

LEGEND: RECEPTACLE

I360-R***

R = RECEPTACLE

BLANK = WITH PREBENT EARS ONLY

1 = WITHOUT EARS/WITHOUT LOCKING RAMP

2 = WITH PREBENT EARS & LOCKING RAMP

3 = WITH LOCKING RAMP ONLY

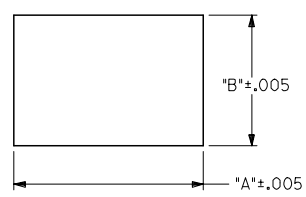
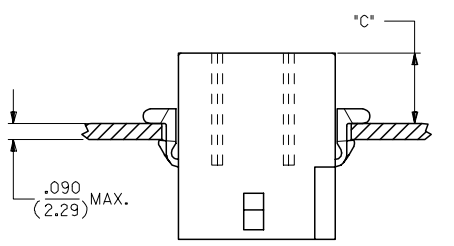
COLOR:

BLANK = NATURAL COLOR

AM = AMBER BK = BLACK BU = BLUE

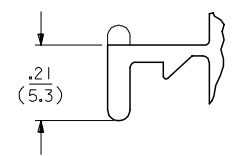
BN = BROWN GY = GRAY GN = GREEN

OR = ORANGE RD = RED YW = YELLOW

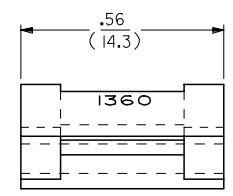


RECOMMENDED PANEL OPENING

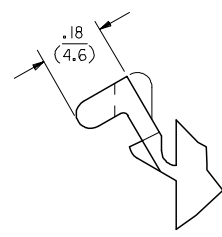
HOUSING	DIM. 'A'	DIM. 'B'	'C' PREBENT EAR	'C' STANDARD EAR
PLUG	1.155/(29.34)	.760/(19.30)	.40/(10.2)	.36/(9.1)
RECEPT.	1.050/(26.67)	.725/(18.42)	.41/(10.4)	.37/(9.4)



DETAIL A
.093/(2.36) STANDARD MOUNTING EAR
(SCALE 4:1)



DETAIL B
.093/(2.36)PREBENT MOUNTING EAR
(SCALE 4:1)



- NOTES:
1. MATERIAL: NYLON TYPE 6/6, UL94V-2
 2. FINISH: N/A
 3. PRODUCT SPECIFICATION: PS-02-09, PS-43660-9999
 4. PACKAGING SPECIFICATION: PK-1360-001

- \triangle CIRCUIT I.D. NUMBERS ON SIDE OF HOUSING APPEAR ON PARTS FROM TOOLS BUILT AFTER 10/22/91
- \triangle WHERE DENOTED IN CHART, TOOLS ARE BUILT WITH PREBENT MOUNTING EARS PER DETAIL B AND SUPERSEDE ALL TOOLS PREVIOUSLY BUILT WITH THE STANDARD EARS.

UPDATE TITLE BLOCK EC NO: UCP2006-0080 DRAWN: JLOME CHKD: 2005/07/20 APPR: FSM TH 2005/07/21 REVISIONS 1 DESCRIPTION	QUALITY SYMBOLS	GENERAL TOLERANCES (UNLESS SPECIFIED)	DIMENSION STYLE	SCALE	DESIGN UNITS	THIRD ANGLE PROJECTION	
	$\nabla=0$	mm INCH	IN/MM	2:1	INCH		
	$\nabla=0$	4 PLACES ± --- ± ---	DRAWN BY	DATE	TITLE	.093/(2.36) HOUSINGS PLUG AND RECEPTACLE 12 CKT, .198/(5.03)CTR.	
		3 PLACES ± --- ± .010	KBW	3/1/89		MOLEX INCORPORATED	
	2 PLACES ± 0.25 ± .014	CHECKED BY	DATE		DOCUMENT NO. SD-1360-*		
	1 PLACE ± 0.35 ± ---	RW	3/1/89		SHEET NO. 2 OF 2		
	ANGULAR ± 2 °	APPROVED BY	DATE		THIS DRAWING CONTAINS INFORMATION THAT IS PROPRIETARY TO MOLEX INCORPORATED AND SHOULD NOT BE USED WITHOUT WRITTEN PERMISSION		
		RAS	3/1/89				
		MATERIAL NO.					
		SEE CHART					