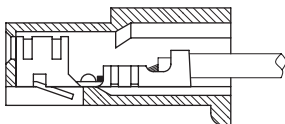
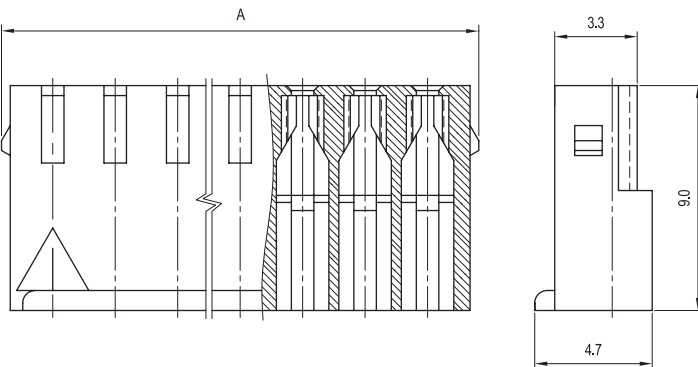
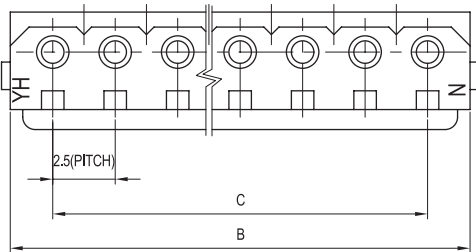
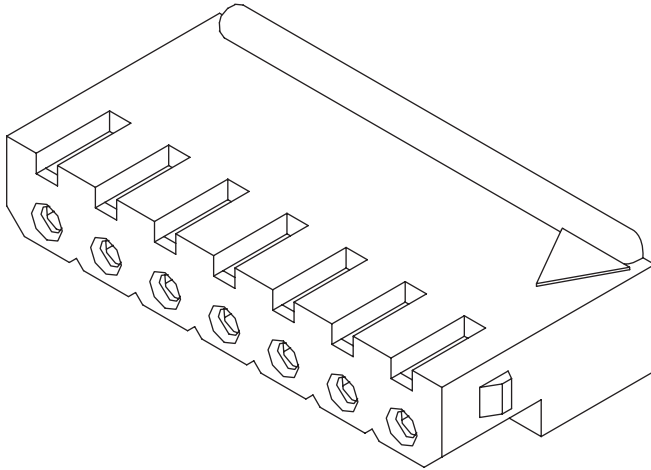


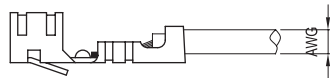
# 2.50mm (0.098") PITCH CONNECTOR

Wire-to-Board  
Housing

YMH025-NNR Series



TERMINAL ASSEMBLY DRAWING



AWG : #22 ~ #28

## Material

I/NO	DESCRIPTION	TITLE	MATERIAL
1	HOUSING	YMH025-NNR	PA66, UL94 V Grade

## Available Pin

PARTS NO.	A	B	C
YMH025-02R	6.6	5.9	2.5
YMH025-03R	9.1	8.4	5.0
YMH025-04R	11.6	10.9	7.5
YMH025-05R	14.1	13.4	10.0
YMH025-06R	16.6	15.9	12.5
YMH025-07R	19.1	18.4	15.0
YMH025-08R	21.6	20.9	17.5
YMH025-09R	24.1	23.4	20.0
YMH025-10R	26.6	25.9	22.5
YMH025-11R	29.1	28.4	25.0
YMH025-12R	31.6	30.9	27.5
YMH025-13R	34.1	33.4	30.0
YMH025-14R	36.6	35.9	32.5
YMH025-15R	39.1	38.4	35.0

## Specification

ITEM	SPEC
Voltage Rating	AC/DC 250V
Current Rating	AC/DC 3A
Operating Temperature	-25°C~+85°C
Contact Resistance	30mΩ MAX
Withstanding Voltage	AC1000V/1min
Insulation Resistance	1000MΩ MIN
Applicable Wire	AWG #22~#28
Applicable P.C.B	-
Applicable FPC/FFC	-
Solder Height	-
Crimp Tensile Strength	-
UL FILE NO	-

Application Terminal : YMT025R (163 page)