

Video signal switcher

BA7609 / BA7609F

The BA7609 and BA7609F are switching ICs developed for use in VCRs. Each contains three two-channel analog multiplexers. As one of the switches has sync-tip clamp inputs and the other two have non-clamped inputs these ICs are ideal for switching audio, video and chroma signals.

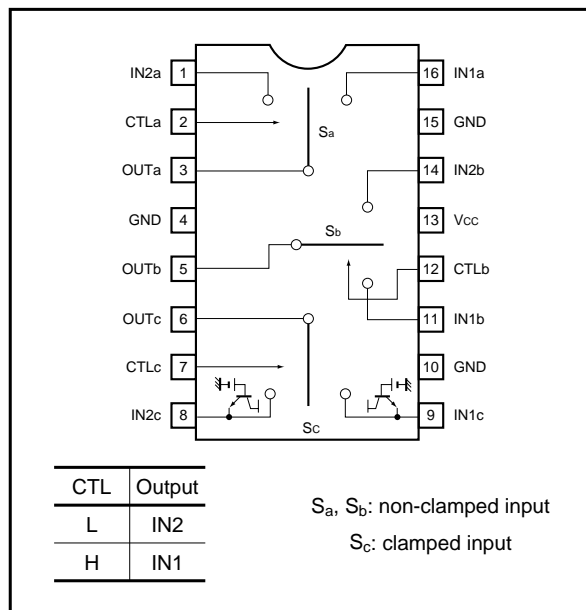
●Applications

Video cassette recorders and televisions

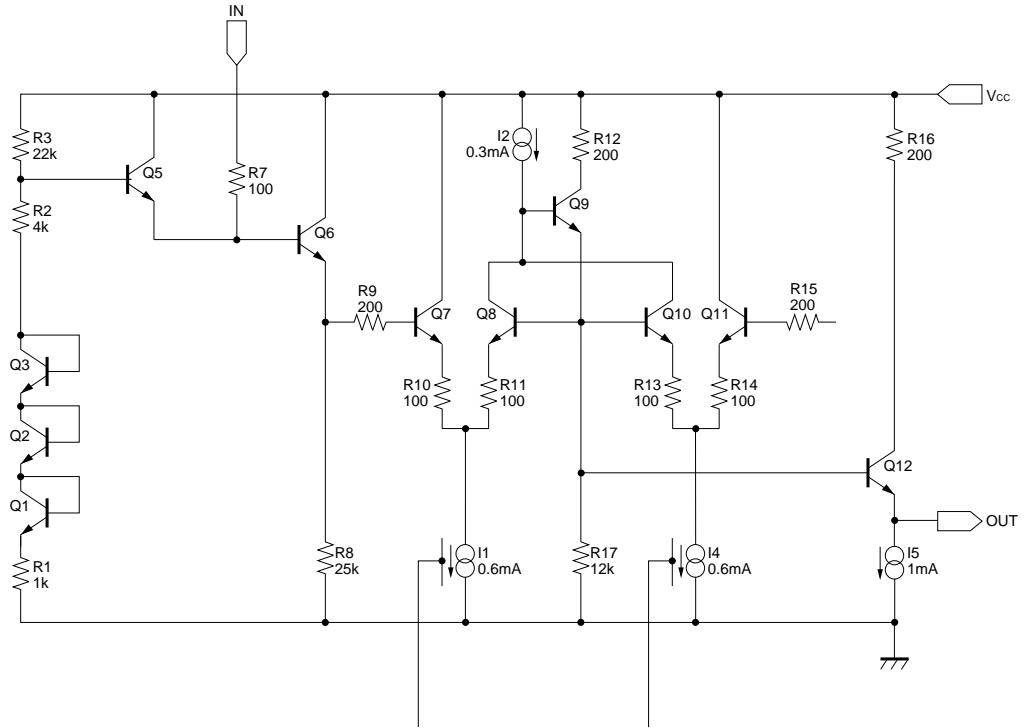
●Features

- 1) Three 2-input / 1-output switches (one with sync-clamped inputs, the other two non-clamped).
- 2) 5V power supply.
- 3) Low power consumption (62.5mW Typ.).
- 4) Excellent frequency characteristics (10MHz, 0dB Typ.).
- 5) Wide dynamic range (clamped input: 2.9V_{P-P} Typ., non-clamped input: 3.0V_{P-P} Typ.).
- 6) Fast switching speed (50ns Typ.).

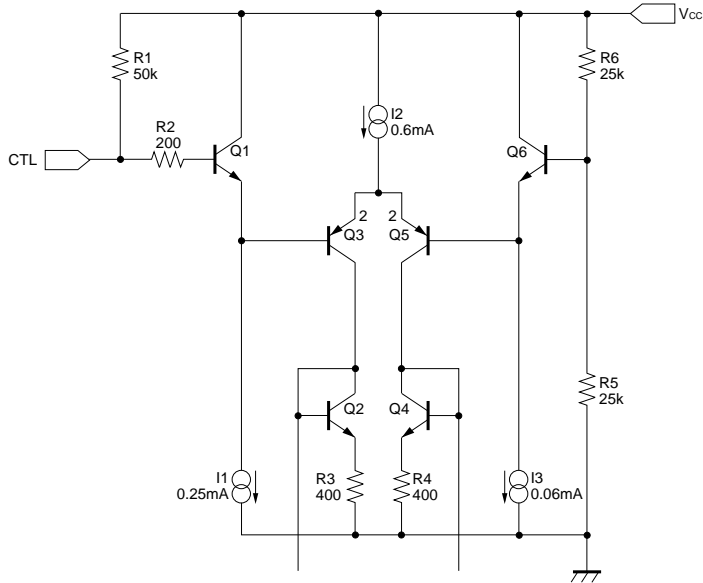
●Block diagram



Sc



CTL



Units
: R = Ω

●Electrical characteristics (unless otherwise noted, Ta = 25°C and V_{CC} = 5V)

Parameter	Symbol	Min.	Typ.	Max.	Unit	Conditions
Operating voltage	V _{CC}	4.5	5.0	5.5	V	—
Supply current	I _{CC}	—	12.5	20.0	mA	—
Maximum output level 1	V _{om}	2.6	2.9	—	V _{P-P}	f = 1kHz, THD = 0.5% clamped input
Maximum output level 2	V _{om}	2.7	3.0	—	V _{P-P}	f = 1kHz, THD = 0.5% non-clamped input
Voltage gain	G _V	-0.5	0	0.5	dB	f = 1MHz, V _{IN} = 1V _{P-P}
Interchannel crosstalk	C _T	—	-65	—	dB	f = 4.43MHz, V _{IN} = 1V _{P-P}
Frequency characteristic	G _f	-3	0	1	dB	10MHz / 1MHz, V _{IN} = 1V _{P-P}
Input impedance	Z _{IN}	14	20	26	kΩ	non-clamped input
Total-harmonic distortion	THD	—	0.007	—	%	f = 1kHz, 1V _{P-P} non-clamped input
CTL pin switch level	V _{TH}	2.0	2.5	3.0	V	—

Note: Refer to the measurement circuit given in Fig. 1.

●Reference data

Pin DC voltages (reference values)

Units: Vdc

Pin No.	DC voltage	Pin No.	DC voltage
1	2.48	9	2.05
2	4.91	10	0
3	1.76	11	2.48
4	0	12	4.91
5	1.76	13	5.00
6	0.65	14	2.48
7	4.91	15	0
8	2.05	16	2.48

Electrical characteristics

Parameter	Min.	Typ.	Max.	Unit
Sync tip clamp level	0.49	0.65	0.80	Vdc
Input impedance (no clamp)	—	20k	—	Ω
Input impedance (with clamp)	—	1.7M	—	Ω
Output impedance	—	30	—	Ω

The input coupling capacitor values should be 0.1μF to 1μF.

● Measurement circuit

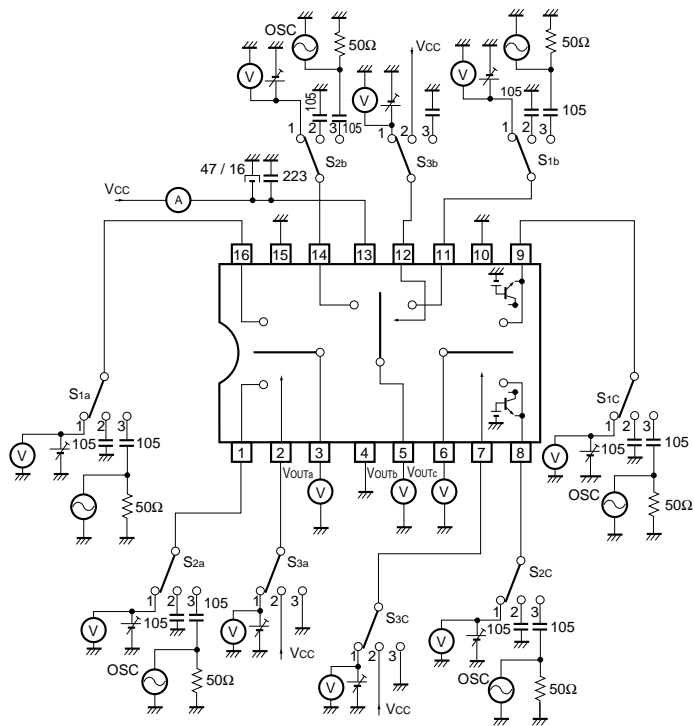


Fig.1

● Measurement conditions

Parameter		Symbol	Switch settings									Measurement method
			S _{1a}	S _{2a}	S _{3a}	S _{1b}	S _{2b}	S _{3b}	S _{1c}	S _{2c}	S _{3c}	
Current dissipation		I _{CC}	2	2	2	2	2	2	2	2	2	Ammeter
Maximum output level	IN1a	V _{om}	3	2	2	2	2	2	2	2	2	f = 1kHz THD = 0.5% Note 1
	IN2a	V _{om}	2	3	3	2	2	2	2	2	2	
	IN1b	V _{om}	2	2	2	3	2	2	2	2	2	
	IN2b	V _{om}	2	2	2	2	3	3	2	2	2	
	IN1c	V _{om}	2	2	2	2	2	2	3	2	2	
	IN2c	V _{om}	2	2	2	2	2	2	2	3	3	
Voltage gain	IN1a	G _V	3	2	2	2	2	2	2	2	2	f = 1MHz V = 1V _{P-P} Note 2
	IN2a	G _V	2	3	3	2	2	2	2	2	2	
	IN1b	G _V	2	2	2	3	2	2	2	2	2	
	IN2b	G _V	2	2	2	2	3	3	2	2	2	
	IN1c	G _V	2	2	2	2	2	2	3	2	2	
	IN2c	G _V	2	2	2	2	2	2	2	3	3	
Interchannel crosstalk	IN1a	C _T	2	3	2	2	2	2	2	2	2	f = 4.43MHz V = 1V _{P-P} Note 3
	IN2a	C _T	3	2	3	2	2	2	2	2	2	
	IN1b	C _T	2	2	2	2	3	2	2	2	2	
	IN2b	C _T	2	2	2	3	2	3	2	2	2	
	IN1c	C _T	2	2	2	2	2	2	2	3	2	
	IN2c	C _T	2	2	2	2	2	2	3	2	3	
Frequency characteristic	IN1a	G _f	3	2	2	2	2	2	2	2	2	f = 10MHz f = 1MHz V = 1V _{P-P} Note 4
	IN2a	G _f	2	3	3	2	2	2	2	2	2	
	IN1b	G _f	2	2	2	3	2	2	2	2	2	
	IN2b	G _f	2	2	2	2	3	3	2	2	2	
	IN1c	G _f	2	2	2	2	2	2	3	2	2	
	IN2c	G _f	2	2	2	2	2	2	2	3	3	
CTL pin switching level	CTLa	V _{TH}	3	2	1	2	2	2	2	2	2	Note 5
	CTLb	V _{TH}	2	2	2	3	2	1	2	2	2	
	CTLc	V _{TH}	2	2	2	2	2	2	3	2	1	
Input impedance	IN1a	Z _{IN}	1	2	2	2	2	2	2	2	2	Note 6
	IN2a	Z _{IN}	2	1	3	2	2	2	2	2	2	
	IN1b	Z _{IN}	2	2	2	1	2	2	2	2	2	
	IN2b	Z _{IN}	2	2	2	2	1	3	2	2	2	
Total-harmonic distortion	IN1a	THD	3	2	2	2	2	2	2	2	2	Note 7
	IN2a	THD	2	3	3	2	2	2	2	2	2	
	IN1b	THD	2	2	2	3	2	2	2	2	2	
	IN2b	THD	2	2	2	2	3	3	2	2	2	

Note 1: Connect a distortion meter to the output, and input a f = 1kHz sine wave. Adjust the input level until the output distortion is 0.5%.

This output voltage at this time is the maximum output level V_{om} (V_{P-P}).

Note 2: Input a 1V_{P-P}, 1MHz sine wave. The voltage gain is given by $G_V = 20 \log (V_{OUT} / V_{IN})$.

Note 3: Input a 1V_{P-P}, 4.43MHz sine wave. The interchannel crosstalk is given by $C_T = 20 \log (V_{OUT} / V_{IN})$.

Note 4: Input 1V_{P-P}, 1MHz and 10MHz sine waves. The frequency characteristic is given by $G_f = 20 \log (V_{OUT}(f = 10\text{MHz}) / V_{OUT}(f = 1\text{MHz}))$.

Note 5: Input a 1V_{P-P}, 1MHz sine wave. Reduce the CTL pin voltage from V_{CC}.

The CTL pin switching level (V_{TH}) is the CTL pin voltage at which the V_{out} level drops below 20mV_{P-P}.

Note 6: Measure the input pin voltage V_{IN50} when a current of DC50μA is flowing into the input pin. Measure the input pin open-circuit voltage.

The input impedance is given by $Z = (V_{IN50} - V_{IN0}) / 50 \times 10^{-6}[\Omega]$.

Note 7: Input a 1V_{P-P}, 1kHz sine wave and measure the total-harmonic distortion of the output using a total-harmonic distortion meter.

●External dimensions (Units: mm)

