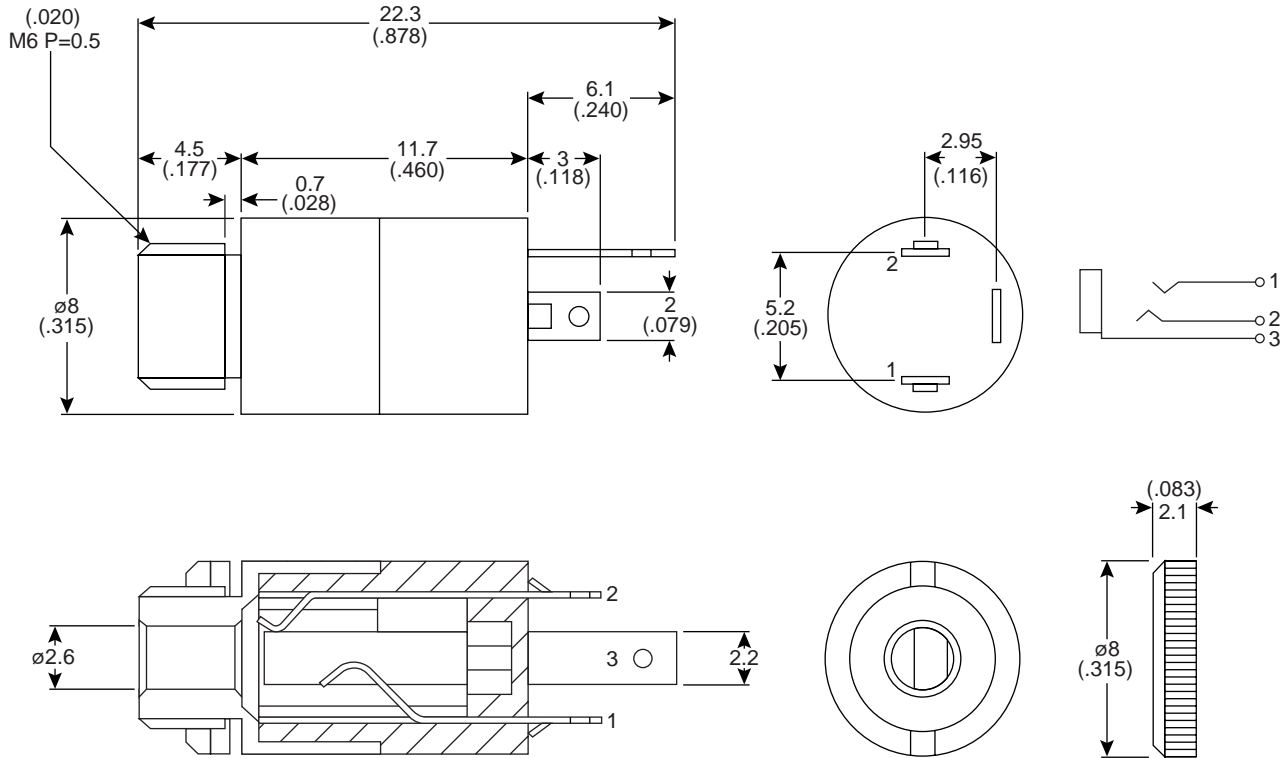


2.5 mm Stereo

161-7000



2.5 mm Stereo



DIMENSIONS (IN.)

SPECIFICATIONS	
Contact Resistance:	30 m Ω max.
Insulation Resistance:	100 M Ω min. @500VDC
Dielectric Strength:	500 VAC for one minute
Life Cycle:	5000 cycles min.
Operation Temperature:	-25°C to 80°C
Insertion & Extraction Force:	4N - 20N (0.4 kgf. - 2kgf.)
Contacts:	Nickel plated brass
Body:	PBT - G30%
Mating Plugs:	171-3305, 171-3306, 171-3405, 171-3406

Date Last Revised: 4-14-04

Available from Mouser Electronics
 1-800-346-6873
www.mouser.com

KC-300057

161-7000