

# ATA-Disk Module

SST58SM008 / 016 / 024 / 032 / 048 / 064 / 096 / 128 / 192

SST58LM008 / 016 / 024 / 032 / 048 / 064 / 096 / 128 / 192



*Advance Information*

## FEATURES:

- **ATA/IDE standard interface**
  - 512 Bytes per sector
  - ATA command set compatible
  - Selectable Master/Slave Operation
  - Support Data Transfer Speed up to PIO Mode-4
- **8, 16, 24, 32, 48, 64, 96, 128, and 192 MByte capacities**
- **Standard Female IDE Connector**
  - 40-pin and 44-pin
- **Single Voltage Read and Write Operation**
  - 5.0V-only for SST58SMxxx
  - 3.3V-only for SST58LMxxx
- **Supports 5.0-Volt or 3.3-Volt Read and Write**
  - 4.5-5.5V or 3.135-3.465V for Commercial
- **Low Power Consumption**
  - Active mode: 35 mA/55 mA (3.3V/5.0V) (typical)
  - Sleep mode: 100  $\mu$ A/150  $\mu$ A (3.3V/5.0V) (typical)
- **Sustained Write Performance**
  - Up to 1.4 MB/sec (host to flash)
- **Extended Data Protection and Security**
  - WP# pin for Data Protection
  - Factory-Programmed, 20-Byte Unique ID number
- **Controller Overhead Command to DRQ**
  - Less than 0.5 ms
- **Zero Power Data Retention**
  - Batteries not required for data storage
- **Start Up Time**
  - Sleep to read: 200 ns (typical)
  - Sleep to write: 200 ns (typical)
  - Power-on to Ready: 200 ms (typical)
- **Support for Commercial Temperature Range**
  - 0°C to +70°C for Operating Commercial
  - -50°C to +100°C for non-Operating (storage)
- **Extremely Rugged and Reliable**
  - Built-in ECC support corrects 3 Bytes of error per 512 Byte sector
- **Intelligent ATA/IDE Controller**
  - Built-in microcontroller with intelligent firmware
  - Built-in Embedded Flash File System
- **Power Management Unit**
  - Immediate disabling of unused circuitry

## PRODUCT DESCRIPTION

SST's ATA-Disk Module (ADM) is a low cost, high performance, embedded flash memory data storage system. This product is well suited for solid state mass storage applications offering new and expanded functionality while enabling cost effective designs.

The ADM is a solid state disk drive that is designed to replace conventional IDE hard disk drive and can be plugged into a standard IDE connector commonly found in desktop or portable PC systems.

ADM has built-in microcontroller and file management firmware that communicates with ATA standard interfaces; therefore, the ADM does not require additional or proprietary host software such as Flash File System (FFS) and Memory Technology Driver (MTD) software.

The ADM is designed to work at either 5V or 3.3V and is available in 8 to 192 MByte capacities. It uses standard ATA driver that is part of all major OS such as Windows 95/98/2000/NT/CE, MAC, UNIX, etc.

All signals, except WP#, are in compliance with the ATA specifications. WP# is used to write protect the information stored on the ADM. The WP# could be connected to the motherboard write protect control logic through a jumper. When WP# is low, the ADM is write protected to prohibit any inadvertent writes.

Every ADM comes with factory-programmed, 20-Byte long, unique identification number for extended data protection. This feature prevents unauthorized duplication by allowing encryption of customer data.

The ADM integrates a standard 40- or 44-pin female connector for easy and cost effective mounting on top of a standard IDE male connector commonly found on the system motherboards. ADM also offers user selectable Master/Slave operation through an external jumper setting.



## TABLE OF CONTENTS

PRODUCT DESCRIPTION .....	1
1.0 GENERAL DESCRIPTION .....	5
1.1 Performance-optimized ATA Controller .....	5
1.1.1 Microcontroller Unit (MCU) .....	5
1.1.2 Internal Direct Memory Access (DMA) .....	5
1.1.3 Power Management Unit (PMU) .....	5
1.1.4 SRAM Buffer .....	5
1.1.5 Embedded Flash File System .....	5
1.1.6 Error Correction .....	5
1.2 SST's ATA-Disk Module Product Offering .....	6
2.0 ELECTRICAL INTERFACE .....	6
2.0.1 Pin Assignment and Pin Type .....	6
2.1 Electrical Description .....	6
2.2 Absolute Maximum Stress Ratings .....	9
2.3 Electrical Specification .....	10
2.3.1 Absolute Maximum Conditions .....	10
2.3.2 Input Leakage Current .....	10
2.3.3 Input Characteristics .....	11
2.3.4 Output Drive Type .....	11
2.3.5 Output Drive Characteristics .....	11
2.3.6 I/O Input (Read) Timing Specification .....	12
2.3.7 I/O Output (Write) Timing Specification .....	13
2.4 I/O Transfer Function .....	14
2.4.1 I/O Function .....	14
3.0 SOFTWARE INTERFACE .....	15
3.1 ATA-Disk Module Drive Register Set Definitions and Protocol .....	15
3.1.1 ATA-Disk Module Addressing .....	15
3.1.2 ATA-Disk Module Registers .....	15
3.1.2.1 Data Register .....	15
3.1.2.2 Error Register (Read Only) .....	15
3.1.2.3 Feature Register (Write Only) .....	16
3.1.2.4 Sector Count Register .....	16
3.1.2.5 Sector Number (LBA 7-0) Register .....	16
3.1.2.6 Cylinder Low (LBA 15-8) Register .....	16
3.1.2.7 Cylinder High (LBA 23-16) Register .....	16
3.1.2.8 Drive/Head (LBA 27-24) Register .....	16
3.1.2.9 Status & Alternate Status Registers (Read Only) .....	17
3.1.2.10 Device Control Register (Write Only) .....	17
3.1.2.11 Drive Address Register (Read Only) .....	18
3.1.2.12 Command Register (Write Only) .....	18



## Advance Information

3.2 ATA-Disk Module Command Description. . . . .	19
3.2.1 ATA-Disk Module Command Set . . . . .	19
3.2.1.1 Check Power Mode - 98H or E5H . . . . .	20
3.2.1.2 Execute Drive Diagnostic - 90H . . . . .	20
3.2.1.3 Format Track - 50H . . . . .	21
3.2.1.4 Identify Drive - ECH. . . . .	21
3.2.1.4.1 General Configuration. . . . .	23
3.2.1.4.2 Default Number of Cylinders. . . . .	23
3.2.1.4.3 Default Number of Heads . . . . .	23
3.2.1.4.4 Default Number of Sectors per Track. . . . .	23
3.2.1.4.5 Number of Sectors . . . . .	23
3.2.1.4.6 Memory Serial Number. . . . .	23
3.2.1.4.7 Buffer Type . . . . .	23
3.2.1.4.8 Buffer Size . . . . .	23
3.2.1.4.9 ECC Count . . . . .	23
3.2.1.4.10 Firmware Revision . . . . .	23
3.2.1.4.11 Model Number . . . . .	23
3.2.1.4.12 Read/Write Multiple Sector Count . . . . .	23
3.2.1.4.13 Capabilities . . . . .	23
3.2.1.4.14 PIO Data Transfer Cycle Timing Mode. . . . .	23
3.2.1.4.15 Translation Parameters Valid . . . . .	24
3.2.1.4.16 Current Number of Cylinders, Heads, Sectors/Track. . . . .	24
3.2.1.4.17 Current Capacity. . . . .	24
3.2.1.4.18 Multiple Sector Setting . . . . .	24
3.2.1.4.19 Total Sectors Addressable in LBA Mode . . . . .	24
3.2.1.4.20 Advanced PIO Data Transfer Mode . . . . .	24
3.2.1.4.21 Minimum PIO Transfer Cycle Time Without Flow Control . . . . .	24
3.2.1.4.22 Minimum PIO Transfer Cycle Time with IORDY. . . . .	24
3.2.1.5 Idle - 97H or E3H. . . . .	25
3.2.1.6 Idle Immediate - 95H or E1H. . . . .	25
3.2.1.7 Initialize Drive Parameters - 91H. . . . .	25
3.2.1.8 Read Buffer - E4H . . . . .	26
3.2.1.9 Read Multiple - C4H . . . . .	26
3.2.1.10 Read Long Sector - 22H or 23H . . . . .	27
3.2.1.11 Read Sectors - 20H or 21H. . . . .	27
3.2.1.12 Read Verify Sector(s) - 40H or 41H . . . . .	28
3.2.1.13 Recalibrate - 1XH . . . . .	28
3.2.1.14 Seek - 7XH . . . . .	28
3.2.1.15 Set Features - EFH . . . . .	29
3.2.1.16 Set Multiple Mode - C6H. . . . .	30
3.2.1.17 Set Sleep Mode - 99H or E6H. . . . .	30
3.2.1.18 Standby - 96H or E2H. . . . .	31
3.2.1.19 Standby Immediate - 94H or E0H . . . . .	31
3.2.1.20 Write Buffer - E8H. . . . .	31
3.2.1.21 Write Long Sector - 32H or 33H . . . . .	32
3.2.1.22 Write Multiple Command - C5H. . . . .	32
3.2.1.23 Write Sector(s) - 30H or 31H. . . . .	33
3.2.1.24 Write Verify - 3CH . . . . .	33
3.2.2 Error Posting . . . . .	34



4.0 APPENDIX .....	35
4.1 Differences between ATA-Disk Module and ATA/ATAPI-5 Specifications.....	35
4.1.1 Electrical Differences .....	35
4.1.1.1 TTL Compatibility .....	35
4.1.1.2 Pull Up Resistor Input Leakage Current .....	35
4.1.2 Functional Differences .....	35
4.1.2.1 Idle Timer .....	35
4.1.2.2 Recovery from Sleep Mode.....	35
5.0 PHYSICAL DIMENSIONS .....	36
6.0 PRODUCT ORDERING INFORMATION .....	38
6.1 Valid Combinations .....	38
7.0 LIMITED WARRANTY .....	40
7.1 Life Support Policy .....	40
7.2 Patent Protection .....	40

# ATA-Disk Module

SST58SM008 / 016 / 024 / 032 / 048 / 064 / 096 / 128 / 192

SST58LM008 / 016 / 024 / 032 / 048 / 064 / 096 / 128 / 192



## Advance Information

### 1.0 GENERAL DESCRIPTION

The SST's ATA-Disk Module (ADM) contains a controller, embedded firmware, and Flash Media with a 40-pin or 44-pin female connector. Refer to Figure 1-1 for SST's ADM block diagram. The controller interfaces with the host system allowing data to be written to and read from the Flash Media.

#### 1.1 Performance-optimized ATA Controller

The heart of the ADM is the ATA controller which translates standard ATA signals into Flash Media data and controls. SST's ADM contains a proprietary ATA controller specifically designed to attain high data throughput from host to Flash. The following components contribute to the ATA controller's performance.

##### 1.1.1 Microcontroller Unit (MCU)

The MCU translates ATA commands into data and control signals required for flash memory operation.

##### 1.1.2 Internal Direct Memory Access (DMA)

The ATA controller inside ADM uses DMA allowing instant data transfer from buffer to memory. This implementation eliminates microcontroller overhead associated with traditional, firmware based, memory control, increasing data transfer rate.

##### 1.1.3 Power Management Unit (PMU)

Power Management Unit controls the power consumption of the ADM. The PMU dramatically extends product battery life by putting the part of the circuitry that is not in operation into sleep mode.

##### 1.1.4 SRAM Buffer

A key contributor to the ATA controller performance is an SRAM buffer. The buffer optimizes the data writes to Flash.

##### 1.1.5 Embedded Flash File System

Embedded Flash File System is an integral part of the SST's ATM controller. It contains MCU Firmware that performs the following tasks:

1. Translates host side signals into Flash Media Writes and Reads.
2. Provides Flash Media wear leveling to spread the Flash writes across all the memory address space to increase the longevity of Flash Media.
3. Keeps track of data file structures.

##### 1.1.6 Error Correction

The ATA Controller contains ECC algorithm that corrects 3 bytes of error per 512 Byte sector.

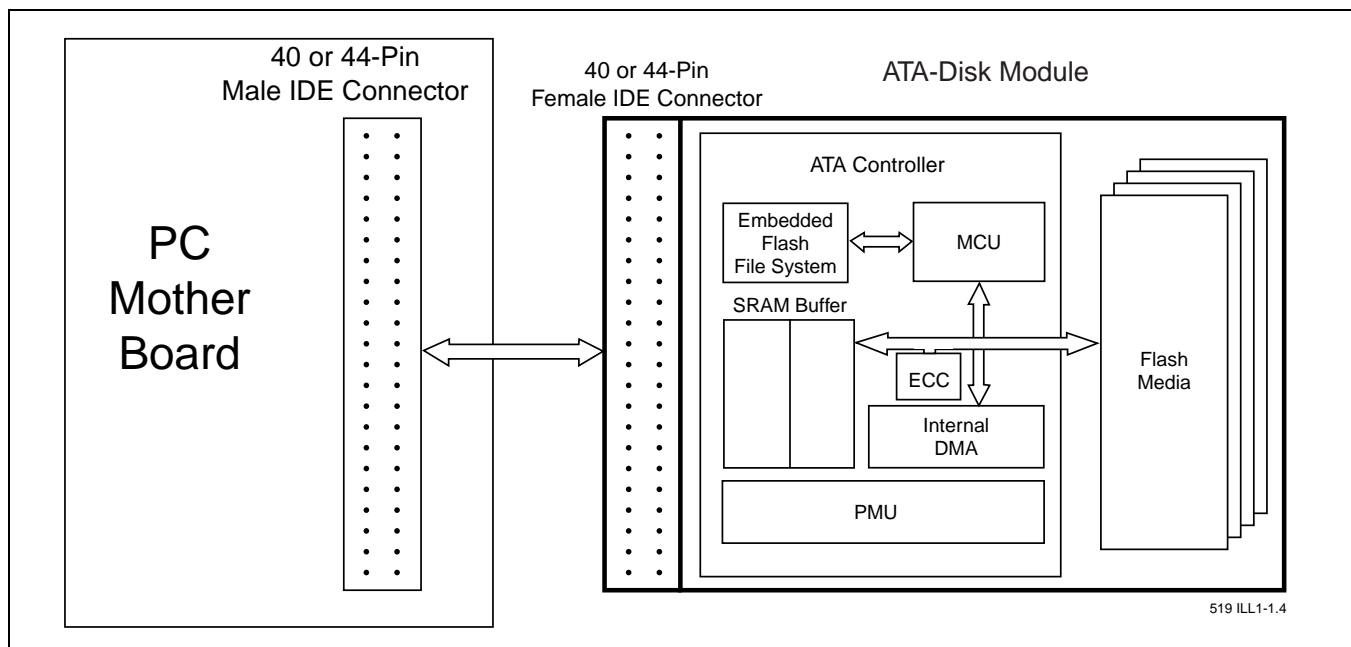


FIGURE 1-1: SST ATA-DISK MODULE BLOCK DIAGRAM



## 1.2 SST's ATA-Disk Module Product Offering

The SST58SM/LMxxx ATA-Disk Module product family is available in 8 to 192 MByte densities. The following table shows the specific capacity, default number of cylinder heads, sectors and cylinders for each product line.

Model Number	Density	Total Bytes	Cylinders	Heads	Sectors
SST58SM/LM008	8 MB	8,028,160	245	2	32
SST58SM/LM016	16 MB	16,023,552	489	2	32
SST58SM/LM024	24 MB	24,051,712	367	4	32
SST58SM/LM032	32 MB	32,047,104	489	4	32
SST58SM/LM048	48 MB	48,037,888	733	4	32
SST58SM/LM064	64 MB	64,028,672	977	4	32
SST58SM/LM096	96 MB	96,075,776	733	8	32
SST58SM/LM128	128 MB	128,057,344	977	8	32
SST58SM/LM192	192 MB	192,151,552	733	16	32

## 2.0 ELECTRICAL INTERFACE

### 2.0.1 Pin Assignment and Pin Type

The signal/pin assignments are listed in Tables 2-1 and 2-2. Low active signals have a “#” suffix. Pin types are Input, Output or Input/Output. Section 2.3 defines the DC characteristics for all input and output type structures.

### 2.1 Electrical Description

The ADM functions in ATA Mode, which is compatible with IDE hard disk drives.

Table 2-3 describes the I/O signals. Signals whose source is the host are designated as inputs while signals that the ADM sources are outputs. All outputs from the ADM are totem pole except the data bus signals which are in the bi-directional tri-state. Refer to Section 2.3.2 for definitions of Input and Output types.

# ATA-Disk Module

SST58SM008 / 016 / 024 / 032 / 048 / 064 / 096 / 128 / 192

SST58LM008 / 016 / 024 / 032 / 048 / 064 / 096 / 128 / 192



## Advance Information

**TABLE 2-1: 44-PIN PIN ASSIGNMENT**

Pin No.	Signal Name	Pin Type	I/O Type <sup>1</sup>
1	RESET#	I	I4U
2	GND		Ground
3	D7	I/O	I2D, O2
4	D8	I/O	I2D, O2
5	D6	I/O	I2D, O2
6	D9	I/O	I2D, O2
7	D5	I/O	I2D, O2
8	D10	I/O	I2D, O2
9	D4	I/O	I2D, O2
10	D11	I/O	I2D, O2
11	D3	I/O	I2D, O2
12	D12	I/O	I2D, O2
13	D2	I/O	I2D, O2
14	D13	I/O	I2D, O2
15	D1	I/O	I2D, O2
16	D14	I/O	I2D, O2
17	D0	I/O	I2D, O2
18	D15	I/O	I2D, O2
19	GND		Ground
20	NC		
21	NC		
22	GND		Ground
23	IOWR#	I	I3U
24	GND		Ground
25	IORD#	I	I3U
26	GND		Ground
27	NC		
28	NC <sup>2</sup>		
29	NC		
30	NC/WP# <sup>3</sup>		I2U
31	INTRQ	O	O1
32	IOCS16#	O	O2
33	A1	I	I2D
34	PDIAG#	I/O	I2U, O1
35	A0	I	I2D
36	A2	I	I2D
37	CS1FX#	I	I3U
38	CS3FX#	I	I3U
39	DASP#	I/O	I2U, O1
40	GND		Ground
41	V <sub>DD</sub>		Power
42	V <sub>DD</sub>		Power
43	GND		Ground
44	NC		

T2-1.6 519

1. Please refer to Sections 2.3.1 to 2.3.4 for detail
2. Pin 28 is CSEL in standard host 40-pin IDE interface. Master/ Slave setting is selected through an on-board jumper.
3. Pin 30 is jumper selectable as NC or WP#.

**TABLE 2-2: 40-PIN PIN ASSIGNMENT**

Pin No.	Signal Name	Pin Type	I/O Type <sup>1</sup>
1	RESET#	I	I4U
2	GND		Ground
3	D7	I/O	I2D, O2
4	D8	I/O	I2D, O2
5	D6	I/O	I2D, O2
6	D9	I/O	I2D, O2
7	D5	I/O	I2D, O2
8	D10	I/O	I2D, O2
9	D4	I/O	I2D, O2
10	D11	I/O	I2D, O2
11	D3	I/O	I2D, O2
12	D12	I/O	I2D, O2
13	D2	I/O	I2D, O2
14	D13	I/O	I2D, O2
15	D1	I/O	I2D, O2
16	D14	I/O	I2D, O2
17	D0	I/O	I2D, O2
18	D15	I/O	I2D, O2
19	GND		Ground
20	V <sub>DD</sub> <sup>2</sup>		Power
21	NC		
22	GND		Ground
23	IOWR#	I	I3U
24	GND		Ground
25	IORD#	I	I3U
26	GND		Ground
27	NC		
28	NC <sup>3</sup>		
29	NC		
30	NC/WP# <sup>4</sup>		I2U
31	INTRQ	O	O1
32	IOCS16#	O	O2
33	A1	I	I2D
34	PDIAG#	I/O	I2U, O1
35	A0	I	I2D
36	A2	I	I2D
37	CS1FX#	I	I3U
38	CS3FX#	I	I3U
39	DASP#	I/O	I2U, O1
40	GND		Ground

T2-2.6 519

1. Please refer to Sections 2.3.1 to 2.3.4 for detail.
2. Optional, not available in standard host 40-pin IDE interface.
3. Pin 28 is CSEL in standard host 40-pin IDE interface. Master/ Slave setting is selected through an on-board jumper.
4. Pin 30 is jumper selectable as NC or WP#.



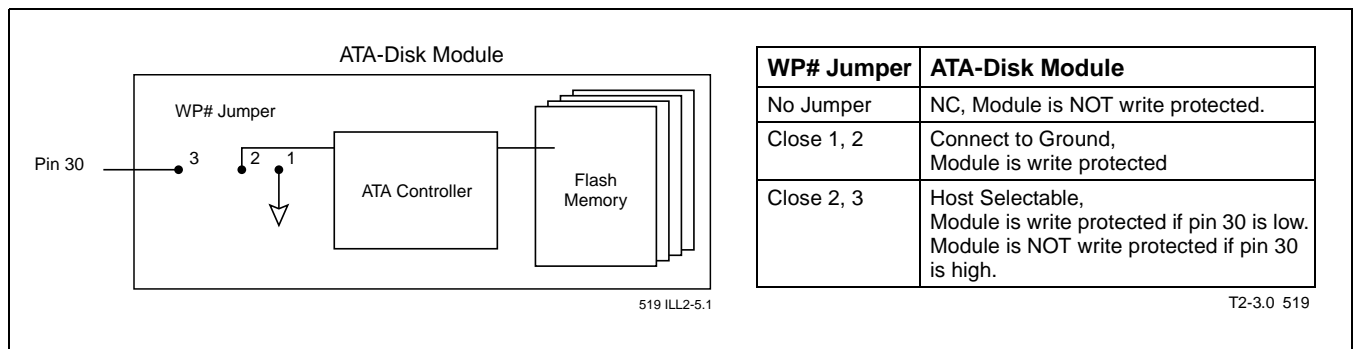
**TABLE 2-3: SIGNAL DESCRIPTION**

Symbol	Type <sup>1</sup>	Pin	Name and Functions
A2 - A0	I	33,34,35	A[2:0] are used to select one of the Task File registers.
D15 - D0	I/O	18,16,14,12,10, 8,6,4,3,5,7,9,11, 13,15,17	Data bus
CS1FX#, CS3FX#	I	37,38	CS1FX# is the chip select for the task file registers while CS3FX# is used to select the Alternate Status Register and the Device Control Register.
CSEL	-	28	CSEL signal is a NC to the motherboard. The Master/Slave selection is set by a jumper. If the jumper is in a Master position, the ADM is addressed as a Master drive, and if the jumper is in a Slave position, the ADM is addressed as a Slave drive.
IORD#	I	25	This is an I/O Read strobe generated by the host. This signal gates I/O data onto the bus from the chip.
IOWR#	I	23	The I/O Write strobe pulse is used to clock I/O data into the chip.
IOCS16#	O	32	This output signal is asserted low when this device is expecting a word data transfer cycle.
INTRQ	O	31	Signal is the active high Interrupt Request to the host.
PDIAG#	I/O	34	This input/output is the Pass Diagnostic signal in the Master/Slave handshake protocol.
DASP#	I/O	39	This input/output is the Disk Active/Slave present signal in the Master/Slave handshake protocol.
RESET#	I	1	This input pin is the active low hardware reset from the host.
GND	-	2,19,22,24,26, 30,40,43 <sup>2</sup>	Ground
WP# <sup>3</sup>	I	30	Write protect pin is used to disable Write operation. The 3-position jumper can set pin 30 as NC, write protected (by connecting to GND), or host selectable (by connecting to pin 30 of IDE connector). When the signal on this pin is low, data on the chip will be write-protected. (See Figure 2-1)
V <sub>DD</sub>	-	20 <sup>4</sup> , 41 <sup>2</sup> , 42 <sup>2</sup>	Power

T2-3.6 519

1. Please refer to Sections 2.3.1 to 2.3.4 for detail
2. Only available with the 44-pin connector module
3. Pin 30 is jumper selectable as NC or WP#
4. Only available with the 40-pin connector module

For the 40-pin ATA-Disk Module, power can be supplied either through the pin 20 (not present on standard 40-pin IDE interface) or through the external power connector provided on the 40-pin ADM. Please see the drawings in "Physical Dimensions" on page 36 for information.



**FIGURE 2-1: PIN 30 CONFIGURATION**



# ATA-Disk Module

SST58SM008 / 016 / 024 / 032 / 048 / 064 / 096 / 128 / 192

SST58LM008 / 016 / 024 / 032 / 048 / 064 / 096 / 128 / 192



## Advance Information

### 2.2 Absolute Maximum Stress Ratings

**Absolute Maximum Stress Ratings** (Applied conditions greater than those listed under “Absolute Maximum Stress Ratings” may cause permanent damage to the device. This is a stress rating only and functional operation of the device at these conditions or conditions greater than those defined in the operational sections of this data sheet is not implied. Exposure to absolute maximum stress rating conditions may affect device reliability.)

Temperature Under Bias .....	-55°C to +125°C
Storage Temperature .....	-50°C to +100°C
D.C. Voltage on any Pin to Ground Potential .....	-0.5V to V <sub>DD</sub> +0.5V
Transient Voltage (<20 ns) on Any Pin to Ground Potential .....	-1.0V to V <sub>DD</sub> +1.0V
Package Power Dissipation Capability (Ta = 25°C) .....	1.0W
Through Hole Lead Soldering Temperature (10 Seconds) .....	300°C
Surface Mount Lead Soldering Temperature (3 Seconds) .....	240°C
Output Short Circuit Current <sup>1</sup> .....	50 mA

1. Outputs shorted for no more than one second. No more than one output shorted at a time.

#### OPERATING RANGE: SST58SMXXX

Range	Ambient Temp	V <sub>DD</sub>
Commercial	0°C to +70°C	4.5-5.5V

#### OPERATING RANGE: SST58LMXXX

Range	Ambient Temp	V <sub>DD</sub>
Commercial	0°C to +70°C	3.135-3.465V

#### AC CONDITIONS OF TEST

Input Rise/Fall Time .....	10 ns
Output Load .....	C <sub>L</sub> = 100 pF
See Figure 2-3	

**Note:** All AC specifications are guaranteed by design.

**TABLE 2-4: RECOMMENDED SYSTEM POWER-UP TIMINGS**

Symbol	Parameter	Maximum	Units
T <sub>PU-READY</sub> <sup>1</sup>	Power-up to Ready Operation	500	ms
T <sub>PU-WRITE</sub> <sup>1</sup>	Power-up to Program/Erase Operation	500	ms

T2-4.0 519

1. This parameter is measured only for initial qualification and after a design or process change that could affect this parameter.



## 2.3 Electrical Specification

The following tables define all D.C. Characteristics for the SST ATA-Disk Module product family.

### 2.3.1 Absolute Maximum Conditions

Unless otherwise stated, conditions are for Commercial Temperature:

Non-operating (storage) temperature range: -50°C to +100°C

$V_{DD} = 4.5\text{-}5.5\text{V}$

$V_{DD} = 3.135\text{-}3.465\text{V}$

$T_a = 0^\circ\text{C to } +70^\circ\text{C}$

#### ABSOLUTE MAXIMUM CONDITIONS

Parameter	Symbol	Conditions
Input Power	$V_{DD}$	-0.3V min to 6.5V max
Voltage on any pin except $V_{DD}$ with respect to GND	V	-0.5V min to $V_{DD} + 0.5\text{V}$ max

#### INPUT POWER

Voltage	Maximum Average RMS Active Current	Maximum Average RMS Sleep Current	Measurement Method
3.135-3.465V	75 mA	200 $\mu\text{A}$	3.3V at 25°C <sup>1</sup>
4.5-5.5V	100 mA	300 $\mu\text{A}$	5.0V at 25°C <sup>1</sup>

- Current measurement is accomplished by connecting an amp meter (set to the 2 amp scale range) in series with the  $V_{DD}$  supply to the ADM. Current measurements are to be taken while looping on a data transfer command with a sector count of 128. Current consumption values for both Read and Write commands are not to exceed the Maximum Average RMS Current specified in the above table.

ADM products shall operate correctly in both voltage ranges as shown in the tables above. To comply with this specification, current requirements must not exceed the maximum limit.

### 2.3.2 Input Leakage Current

In the table below, x refers to the characteristics described in Section 2.3.2. For example, I1U indicates a pull up resistor with a type 1 input characteristic.

Type	Parameter	Symbol	Conditions	MIN	TYP	MAX	Units
IxZ	Input Leakage Current	IL	$V_{IH} = V_{DD} / V_{IL} = \text{Gnd}$	-1		1	$\mu\text{A}$
IxU	Pull Up Resistor	RPU1	$V_{DD} = 5.0\text{V}$	50k		500k	Ohm
IxD	Pull Down Resistor	RPD1	$V_{DD} = 5.0\text{V}$	50k		500k	Ohm



## Advance Information

## 2.3.3 Input Characteristics

Type	Parameter	Symbol	Min	Typ	Max	Min	Typ	Max	Units
			$V_{DD} = 3.3V$			$V_{DD} = 5.0V$			
1	Input Voltage	$V_{IH}$	2.4			2.4			Volts
	CMOS	$V_{IL}$			0.6			0.8	
2	Input Voltage	$V_{IH}$	2.0			2.7			Volts
	CMOS	$V_{IL}$			0.8			0.8	
3	Input Voltage	$V_{TH}$		2.0			2.4		Volts
	CMOS Schmitt Trigger	$V_{TL}$		0.5			0.8		
4	Input Voltage	$V_{TH}$		1.8			2.4		Volts
	CMOS Schmitt Trigger	$V_{TL}$		0.9			0.8		

## 2.3.4 Output Drive Type

All output drive type are CMOS level.

## 2.3.5 Output Drive Characteristics

Type	Parameter	Symbol	Conditions	MIN	TYP	MAX	Units
O1	Output Voltage	$V_{OH}$	$I_{OH} = -4 \text{ mA}$	$V_{DD}-0.8V$		Gnd+0.4V	Volts
		$V_{OL}$	$I_{OL} = 4 \text{ mA}$				
O2	Output Voltage	$V_{OH}$	$I_{OH} = -8 \text{ mA}$	$V_{DD}-0.8V$		Gnd+0.4V	Volts
		$V_{OL}$	$I_{OL} = 8 \text{ mA}$				



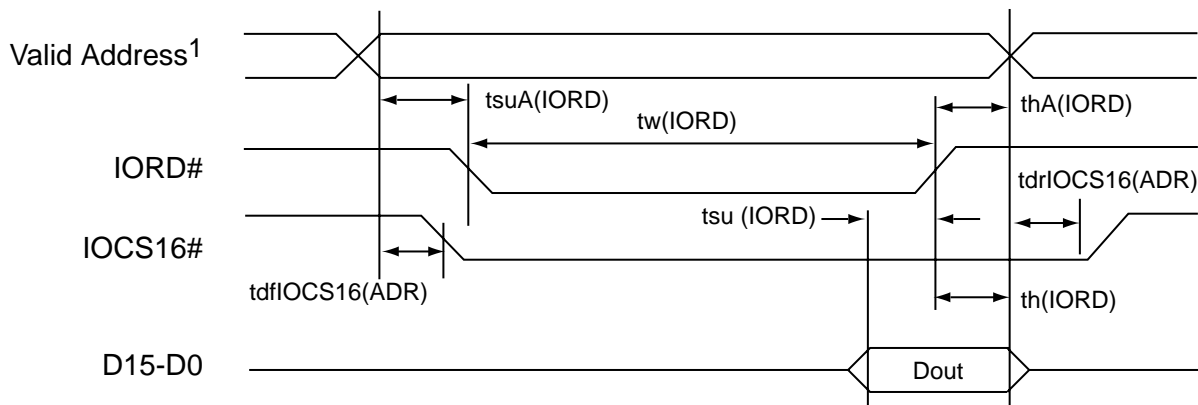
### 2.3.6 I/O Input (Read) Timing Specification

**TABLE 2-5: I/O READ TIMING**

Item	Symbol	IEEE Symbol	Min	Max
Data Setup before IORD#	tsu(IORD)	tDVIRH	20	-
Data Hold following IORD#	th(IORD)	tIGHQX	5	-
IORD# Width Time	tw(IORD)	tIGLIGH	70	-
Valid Address Setup before IORD#	tsuA(IORD)	tAVIGL	25	-
Valid Address Hold following IORD#	thA(IORD)	tIGHAX	10	-
IOCS16# Delay Falling from Address	tdfIOCS16(ADR)	tAVISL	-	20
IOCS16# Delay Rising from Address	tdrIOCS16(ADR)	tAVISH		20

T2-5.4 519

**Note:** All times are in nanoseconds. The maximum load on IOCS16# is 1 LSTTL with 50pF total load.  
 All AC specifications are guaranteed by design.



519 ILL2-7.3

1. Valid Address consists of signals CS1FX#, CS3FX#, and A<sub>2</sub>-A<sub>0</sub>.

**FIGURE 1: I/O READ TIMING DIAGRAM**



Advance Information

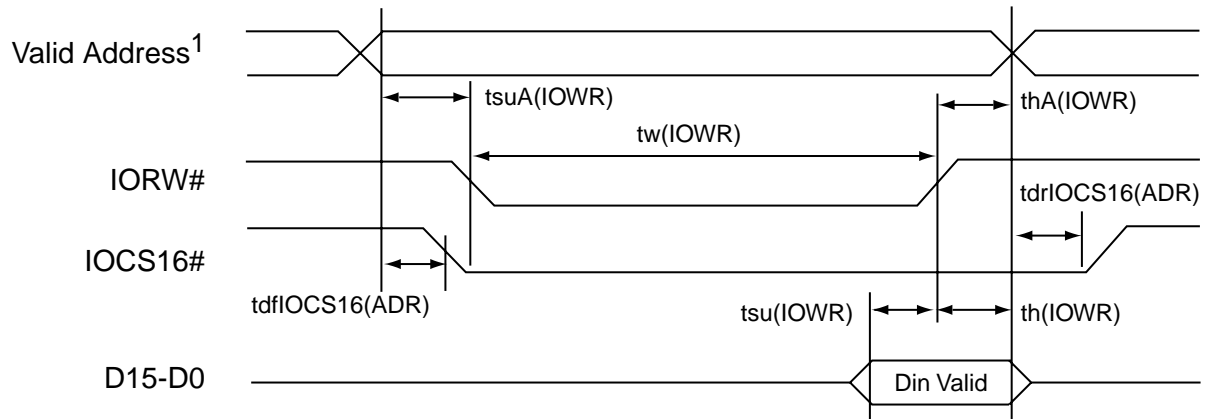
2.3.7 I/O Output (Write) Timing Specification

TABLE 2-6: I/O WRITE TIMING

Item	Symbol	IEEE Symbol	Min	Max
Data Setup before IOWR#	tsu(IOWR)	tDVIWH	20	-
Data Hold following IOWR#	th(IOWR)	tIWHDX	10	-
IOWR# Width Time	tw(IOWR)	tIWLIVH	70	-
Valid Address Setup before IOWR#	tsuA(IOWR)	tAVIWL	25	-
Valid Address Hold following IOWR#	thA(IOWR)	tIWHAX	10	-
IOCS16# Delay Falling from Address	tdfIOCS16(ADR)	tAVISL	-	20
IOCS16# Delay Rising from Address	tdrIOCS16(ADR)	tAVISH	-	20

T2-6.4 519

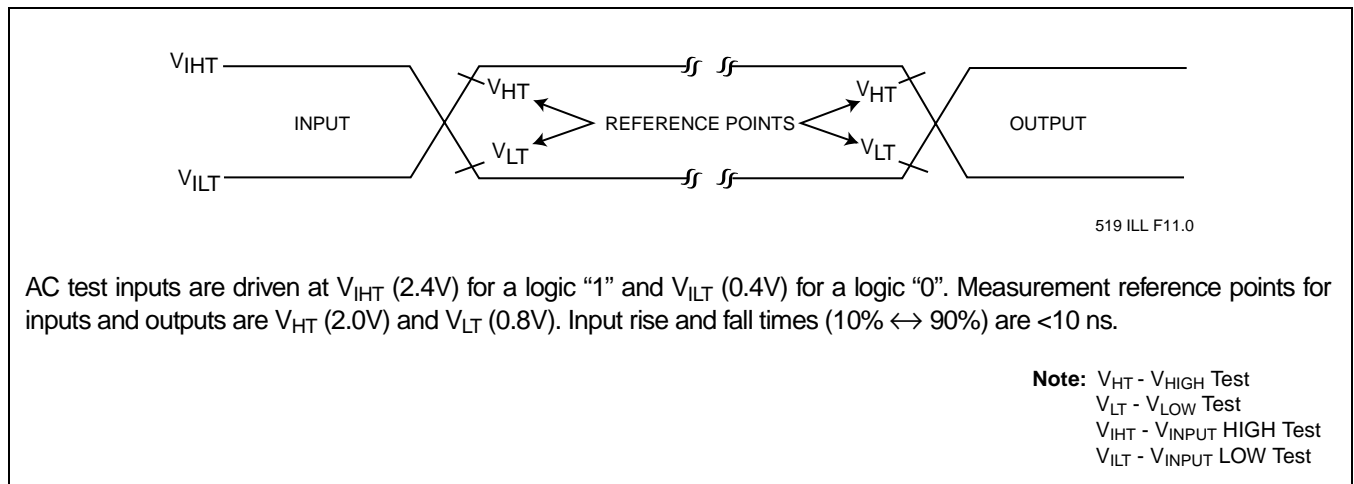
**Note:** All times are in nanoseconds. The maximum load on IOCS16# is 1 LSTTL with 50pF total load.  
All AC specifications are guaranteed by design.



519 ILL2-8.4

1. Valid Address consists of signals CS1FX#, CS3FX#, and A2-A0.

FIGURE 2-2: I/O WRITE TIMING DIAGRAM



519 ILL F11.0

AC test inputs are driven at  $V_{IHT}$  (2.4V) for a logic "1" and  $V_{ILT}$  (0.4V) for a logic "0". Measurement reference points for inputs and outputs are  $V_{HT}$  (2.0V) and  $V_{LT}$  (0.8V). Input rise and fall times (10% ↔ 90%) are <10 ns.

**Note:**  $V_{HT}$  -  $V_{HIGH}$  Test  
 $V_{LT}$  -  $V_{LOW}$  Test  
 $V_{IHT}$  -  $V_{INPUT HIGH}$  Test  
 $V_{ILT}$  -  $V_{INPUT LOW}$  Test

FIGURE 2-3: AC INPUT/OUTPUT REFERENCE WAVEFORMS



## 2.4 I/O Transfer Function

### 2.4.1 I/O Function

ADM permits 8-bit data access if the user issues a Set Feature Command to enable 8-bit Mode. The following table defines the function of various operations.

**TABLE 2-7: I/O FUNCTION**

Function Code	CS3FX#	CS1FX#	A0-A2	IOR#	IOWR#	D15-D8	D7-D0
Invalid Mode	V <sub>IL</sub>	V <sub>IL</sub>	X <sup>1</sup>	X	X	Undefined	Undefined
Standby Mode	V <sub>IH</sub>	V <sub>IH</sub>	X	X	X	High Z	High Z
Task File Write	V <sub>IH</sub>	V <sub>IL</sub>	1-7H	V <sub>IH</sub>	V <sub>IL</sub>	X	Data In
Task File Read	V <sub>IH</sub>	V <sub>IL</sub>	1-7H	V <sub>IL</sub>	V <sub>IH</sub>	High Z	Data Out
Data Register Write	V <sub>IH</sub>	V <sub>IL</sub>	0	V <sub>IH</sub>	V <sub>IL</sub>	In <sup>2</sup>	In
Data Register Read	V <sub>IH</sub>	V <sub>IL</sub>	0	V <sub>IL</sub>	V <sub>IH</sub>	Out <sup>2</sup>	Out
Control Register Write	V <sub>IL</sub>	V <sub>IH</sub>	6H	V <sub>IH</sub>	V <sub>IL</sub>	X	Control In
Alt Status Read	V <sub>IL</sub>	V <sub>IH</sub>	6H	V <sub>IL</sub>	V <sub>IH</sub>	High Z	Status Out
Drive Address	V <sub>IL</sub>	V <sub>IH</sub>	7H	V <sub>IL</sub>	V <sub>IH</sub>	High Z	Data Out

T2-7.1 519

1. X can be V<sub>IL</sub> or V<sub>IH</sub>, but no other value.

2. If 8-bit data transfer mode is enabled.

In 8-bit data transfer mode, High Byte is undefined for Data Out, can be V<sub>IL</sub> or V<sub>IH</sub>, but no other value, for Data In.



### 3.0 SOFTWARE INTERFACE

#### 3.1 ATA-Disk Module Drive Register Set Definitions and Protocol

##### 3.1.1 ATA-Disk Module Addressing

The I/O decoding for an ADM is as follows:

**TABLE 3-1: TASK REGISTERS**

CS3FX#	CS1FX#	A2	A1	A0	IORD# = 0	IOWR# = 0
1	0	0	0	0	RD Data	WR Data
1	0	0	0	1	Error Register	Features
1	0	0	1	0	Sector Count	Sector Count
1	0	0	1	1	Sector No.	Sector No.
1	0	1	0	0	Cylinder Low	Cylinder Low
1	0	1	0	1	Cylinder High	Cylinder High
1	0	1	1	0	Select Card/Head	Select Card/Head
1	0	1	1	1	Status	Command
0	1	1	1	0	Alt Status	Device Control
0	1	1	1	1	Drive Address	Reserved

T3-1.0 519

##### 3.1.2 ATA-Disk Module Registers

The following section describes the hardware registers used by the host software to issue commands to the ADM. These registers are often collectively referred to as the "Task File Registers."

###### 3.1.2.1 Data Register

This 16-bit register is used to transfer data blocks between the device data buffer and the host. It is also the register through which sector information is transferred on a Format Track command. Data transfer can be performed in PIO mode.

###### 3.1.2.2 Error Register (Read Only)

This register contains additional information about the source of an error when an error is indicated in bit 0 of the Status register. The bits are defined as follows:

D7	D6	D5	D4	D3	D2	D1	D0
BBK	UNC	0	IDNF	0	ABRT	0	AMNF

- Bit 7 (BBK) This bit is set when a Bad Block is detected.
- Bit 6 (UNC) This bit is set when an Uncorrectable Error is encountered.
- Bit 5 This bit is 0.
- Bit 4 (IDNF) The requested sector ID is in error or cannot be found.
- Bit 3 This bit is 0.
- Bit 2 (Abort) This bit is set if the command has been aborted because of an ADM status condition: (Not Ready, Write Fault, etc.) or when an invalid command has been issued.
- Bit 1 This bit is 0.
- Bit 0 (AMNF) This bit is set in case of a general error.



### 3.1.2.3 Feature Register (Write Only)

This register provides information regarding features of the ADM that the host can utilize.

### 3.1.2.4 Sector Count Register

This register contains the numbers of sectors of data requested to be transferred on a Read or Write operation between the host and the ADM. If the value in this register is zero, a count of 256 sectors is specified. If the command was successful, this register is zero at command completion. If not successfully completed, the register contains the number of sectors that need to be transferred in order to complete the request.

### 3.1.2.5 Sector Number (LBA 7-0) Register

This register contains the starting sector number or bits 7-0 of the Logical Block Address (LBA) for any ADM data access for the subsequent command.

### 3.1.2.6 Cylinder Low (LBA 15-8) Register

This register contains the low order 8 bits of the starting cylinder address or bits 15-8 of then Logical Block Address.

### 3.1.2.7 Cylinder High (LBA 23-16) Register

This register contains the high order bits of the starting cylinder address or bits 23-16 of the Logical Block Address.

### 3.1.2.8 Drive/Head (LBA 27-24) Register

The Drive/Head register is used to select the drive and head. It is also used to select LBA addressing instead of cylinder/head/sector addressing. The bits are defined as follows:

D7	D6	D5	D4	D3	D2	D1	D0
1	LBA	1	DRV	HS3	HS2	HS1	HS0

- Bit 7            This bit is set to 1.
- Bit 6            LBA is a flag to select either Cylinder/Head/Sector (CHS) or Logical Block Address Mode (LBA). When LBA=0, Cylinder/Head/Sector mode is selected. When LBA=1, Logical Block Address is selected. In Logical Block Mode, the Logical Block Address is interpreted as follows:  
LBA7-LBA0: Sector Number Register D7-D0.  
LBA15-LBA8: Cylinder Low Register D7-D0.  
LBA23-LBA16: Cylinder High Register D7-D0.  
LBA27-LBA24: Drive/Head Register bits HS3-HS0.
- Bit 5            This bit is set to 1.
- Bit 4 (DRV)    DRV is the drive number. When DRV=0 (Master), Master is selected. When DRV=1(Slave), Slave is selected.
- Bit 3 (HS3)    When operating in the Cylinder, Head, Sector mode, this is bit 3 of the head number. It is Bit 27 in the Logical Block Address mode.
- Bit 2 (HS2)    When operating in the Cylinder, Head, Sector mode, this is bit 2 of the head number. It is Bit 26 in the Logical Block Address mode.
- Bit 1 (HS1)    When operating in the Cylinder, Head, Sector mode, this is bit 1 of the head number. It is Bit 25 in the Logical Block Address mode.
- Bit 0 (HS0)    When operating in the Cylinder, Head, Sector mode, this is bit 0 of the head number. It is Bit 24 in the Logical Block Address mode.





## Advance Information

**3.1.2.9 Status & Alternate Status Registers (Read Only)**

These registers return the ADM status when read by the host. Reading the Status register does clear a pending interrupt while reading the Auxiliary Status register does not. The meaning of the status bits are described as follows:

D7	D6	D5	D4	D3	D2	D1	D0
BUSY	RDY	DWF	DSC	DRQ	CORR	0	ERR

- Bit 7 (BUSY) The busy bit is set when the ADM has access to the command buffer and registers and the host is locked out from accessing the command register and buffer. No other bits in this register are valid when this bit is set to a 1.
- Bit 6 (RDY) RDY indicates whether the device is capable of performing ADM operations. This bit is cleared at power up and remains cleared until the ADM is ready to accept a command.
- Bit 5 (DWF) This bit, if set, indicates a write fault has occurred.
- Bit 4 (DSC) This bit is set when the ADM is ready.
- Bit 3 (DRQ) The Data Request is set when the ADM requires that information be transferred either to or from the host through the Data register.
- Bit 2 (CORR) This bit is set when a Correctable data error has been encountered and the data has been corrected. This condition does not terminate a multi-sector Read operation.
- Bit 1 (IDX) This bit is always set to 0.
- Bit 0 (ERR) This bit is set when the previous command has ended in some type of error. The bits in the Error register contain additional information describing the error. It is recommended that media access commands (such as Read Sectors and Write Sectors) that end with an error condition should have the address of the first sector in error in the command block registers.

**3.1.2.10 Device Control Register (Write Only)**

This register is used to control the ADM interrupt request and to issue a software Reset. This register can be written to even if the device is BUSY. The bits are defined as follows:

D7	D6	D5	D4	D3	D2	D1	D0
X	X	X	X	1	SW Rst	-IEn	0

- Bit 7 This bit is an X (don't care).
- Bit 6 This bit is an X (don't care).
- Bit 5 This bit is an X (don't care).
- Bit 4 This bit is an X (don't care).
- Bit 3 This bit is ignored by the ADM.
- Bit 2 (SW Rst) This bit is set to 1 in order to force the ADM to perform a software Reset operation. The chip remains in Reset until this bit is reset to '0'.
- Bit 1 (-IEn) The Interrupt Enable bit enables interrupts when the bit is 0. When the bit is 1, interrupts from the ADM are disabled. This bit is Reset to 0 at power on and Reset.
- Bit 0 This bit is ignored by the ADM.



### 3.1.2.11 Drive Address Register (Read Only)

This register contains the inverted drive select and head select addresses of the currently selected drive. The bits in this register are as follows:

D7	D6	D5	D4	D3	D2	D1	D0
HiZ	-WTG	-HS3	-HS2	-HS1	-HS0	-DS1	-DS0

- Bit 7            This bit is HiZ.
- Bit 6 (-WTG)   This bit is 0 when a Write operation is in progress, otherwise, it is 1.
- Bit 5 (-HS3)   This bit is the negation of bit 3 in the Drive/Head register.
- Bit 4 (-HS2)   This bit is the negation of bit 2 in the Drive/Head register.
- Bit 3 (-HS1)   This bit is the negation of bit 1 in the Drive/Head register.
- Bit 2 (-HS0)   This bit is the negation of bit 0 in the Drive/Head register.
- Bit 1 (-DS1)   This bit is 0 when drive 1 is active and selected.
- Bit 0 (-DS0)   This bit is 0 when drive 0 is active and selected.

### 3.1.2.12 Command Register (Write Only)

This register contains the command code being sent to the drive. Command execution begins immediately after this register is written. The executable commands, the command codes, and the necessary parameters for each command are listed in Table 3-2.

## ATA-Disk Module

SST58SM008 / 016 / 024 / 032 / 048 / 064 / 096 / 128 / 192

SST58LM008 / 016 / 024 / 032 / 048 / 064 / 096 / 128 / 192



### Advance Information

## 3.2 ATA-Disk Module Command Description

This section defines the software requirements and the format of the commands the host sends to the ADM. Commands are issued to the ADM by loading the required registers in the command block with the supplied parameters, and then writing the command code to the Command Register. The manner in which a command is accepted varies. There are three classes (see Table 3-2) of command acceptance, all dependent on the host not issuing commands unless the ADM is not busy (BSY=0).

### 3.2.1 ATA-Disk Module Command Set

Table 3-2 summarizes the ADM command set with the paragraphs that follow describing the individual commands and the task file for each.

**TABLE 3-2: ATA-DISK MODULE COMMAND SET**

Class	Command	Code	FR <sup>1</sup>	SC <sup>2</sup>	SN <sup>3</sup>	CY <sup>4</sup>	DH <sup>5</sup>	LBA <sup>6</sup>
1	Check Power Mode	E5H or 98H	-	-	-	-	D <sup>8</sup>	-
1	Execute Drive Diagnostic	90H	-	-	-	-	D	-
2	Format Track	50H	-	Y <sup>7</sup>	-	Y	Y <sup>8</sup>	Y
1	Identify Drive	ECH	-	-	-	-	D	-
1	Idle	E3H or 97H	-	Y	-	-	D	-
1	Idle Immediate	E1H or 95H	-	-	-	-	D	-
1	Initialize Drive Parameters	91H	-	Y	-	-	Y	-
1	Read Buffer	E4H	-	-	-	-	D	-
1	Read Long Sector	22H or 23H	-	-	Y	Y	Y	Y
1	Read Multiple	C4H	-	Y	Y	Y	Y	Y
1	Read Sector(s)	20H or 21H	-	Y	Y	Y	Y	Y
1	Read Verify Sector(s)	40H or 41H	-	Y	Y	Y	Y	Y
1	Recalibrate	1XH	-	-	-	-	D	-
1	Seek	7XH	-	-	Y	Y	Y	Y
1	Set Features	EFH	Y	-	-	-	D	-
1	Set Multiple Mode	C6H	-	Y	-	-	D	-
1	Set Sleep Mode	E6H or 99H	-	-	-	-	D	-
1	Stand By	E2H or 96H	-	-	-	-	D	-
1	Stand By Immediate	E0H or 94H	-	-	-	-	D	-
2	Write Buffer	E8H	-	-	-	-	D	-
2	Write Long Sector	32H or 33H	-	-	Y	Y	Y	Y
3	Write Multiple	C5H	-	Y	Y	Y	Y	Y
2	Write Sector(s)	30H or 31H	-	Y	Y	Y	Y	Y
3	Write Verify	3CH	-	Y	Y	Y	Y	Y

T3-2.0 519

1. FR - Features Register
2. SC - Sector Count Register
3. SN - Sector Number Register
4. CY - Cylinder Registers
5. DH - Drive/Head Register
6. LBA - Logical Block Address Mode Supported (see command descriptions for use)
7. Y - The register contains a valid parameter for this command.
8. For the Drive/Head Register: Y means both the ADC and Head parameters are used;  
D means only the ADC parameter is valid and not the Head parameter.



**3.2.1.1 Check Power Mode - 98H or E5H**

Bit ->	7	6	5	4	3	2	1	0
Command (7)	98H or E5H							
C/D/H (6)	X		Drive		X			
Cyl High (5)					X			
Cyl Low (4)					X			
Sec Num (3)					X			
Sec Cnt (2)					X			
Feature (1)					X			

This command checks the power mode.

Because SST ADM can recover from sleep in 200 ns, Idle Mode is never enabled.

ADM sets BSY, sets the Sector Count Register to 00H, clears BSY and generates an interrupt.

**3.2.1.2 Execute Drive Diagnostic - 90H**

Bit ->	7	6	5	4	3	2	1	0
Command (7)	90H							
C/D/H (6)	X		Drive		X			
Cyl High (5)					X			
Cyl Low (4)					X			
Sec Num (3)					X			
Sec Cnt (2)					X			
Feature (1)					X			

This command performs the internal diagnostic tests implemented by the ADM.

If the Drive bit is ignored and the diagnostic command is executed by both the Master and the Slave with the Master responding with status for both devices.

The Diagnostic codes shown in Table 3-3 are returned in the Error Register at the end of the command.

**TABLE 3-3: DIAGNOSTIC CODES**

Code	Error Type
01H	No Error Detected
02H	Formatter Device Error
03H	Sector Buffer Error
04H	ECC Circuitry Error
05H	Controlling Microprocessor Error
8XH	Slave Error

T3-3.0 519



## Advance Information

## 3.2.1.3 Format Track - 50H

Bit ->	7	6	5	4	3	2	1	0
Command (7)	50H							
C/D/H (6)	1	LBA	1	Drive	Head (LBA 27-24)			
Cyl High (5)	Cylinder High (LBA 23-16)							
Cyl Low (4)	Cylinder Low (LBA 15-8)							
Sec Num (3)	X (LBA 7-0)							
Sec Cnt (2)	Count (LBA mode only)							
Feature (1)	X							

This command writes the desired head and cylinder of the selected drive with a vendor unique data pattern (typically FFH or 00H). To remain host backward compatible, the ADM expects a sector buffer of data from the host to follow the command with the same protocol as the Write Sector(s) command although the information in the buffer is not used by the ADM. If LBA=1 then the number of sectors to format is taken from the Sec Cnt register (0=256). The use of this command is not recommended.

## 3.2.1.4 Identify Drive - ECH

Bit ->	7	6	5	4	3	2	1	0
Command (7)	ECH							
C/D/H (6)	X	X	X	Drive	X			
Cyl High (5)	X							
Cyl Low (4)	X							
Sec Num (3)	X							
Sec Cnt (2)	X							
Feature (1)	X							

The Identify Drive command enables the host to receive parameter information from the ADM. This command has the same protocol as the Read Sector(s) command. The parameter words in the buffer have the arrangement and meanings defined in Table 3-4. All reserved bits or words are zero. Table 3-4 is the definition for each field in the Identify Drive Information.



**TABLE 3-4: IDENTIFY DRIVE INFORMATION**

Word Address	Default Value	Total Bytes	Data Field Type Information
0	044AH	2	General configuration bit-significant information
1	XXXXH	2	Default number of cylinders
2	0000H	2	Reserved
3	00XXH	2	Default number of heads
4	0000H	2	Reserved
5	0000H	2	Reserved
6	XXXXH	2	Default number of sectors per track
7-8	XXXXH	4	Number of sectors per card (Word 7 = MSW, Word 8 = LSW)
9	XXXXH	2	Vendor Unique
10-19	aaaa <sup>1</sup>	20	Serial number in ASCII. Big Endian Byte Order in Word
20	0002H	2	Buffer type
21	XXXXH	2	Buffer size in 512 Byte increments
22	0004H	2	# of ECC bytes passed on Read/Write Long Commands
23-26	aaaa <sup>1</sup>	8	Firmware revision in ASCII. Big Endian Byte Order in Word
27-46	aaaa <sup>1</sup>	40	Model number in ASCII. Big Endian Byte Order in Word
47	000XH	2	Maximum number of sectors on Read/Write Multiple command
48	0000H	2	Reserved
49	0200H	2	Capabilities
50	0000H	2	Reserved
51	0X00H	2	PIO data transfer cycle timing mode
52	0000H	2	Reserved
53	000XH	2	Translation parameters are valid
54	XXXXH	2	Current numbers of cylinders
55	XXXXH	2	Current numbers of heads
56	XXXXH	2	Current sectors per track
57-58	XXXXH	4	Current capacity in sectors (LBAs) (Word 57 = LSW, Word 58 = MSW)
59	010XH	2	Multiple sector setting
60-61	XXXXH	4	Total number of sectors addressable in LBA Mode
62-63	0000H	4	Reserved (DMA Data Transfer is not supported in ADM)
64	00XXH	2	Advanced PIO Transfer Mode Supported
65-66	0000H	4	Reserved
67	XXXXH	2	Minimum PIO transfer cycle time without flow control
68	XXXXH	2	Minimum PIO transfer cycle time with IORDY flow control
69-127	0000H	138	Reserved
128-159	0000H	64	Vendor unique bytes
160-255	0000H	192	Reserved

1. aaaa - any SST specific number

## ATA-Disk Module

SST58SM008 / 016 / 024 / 032 / 048 / 064 / 096 / 128 / 192

SST58LM008 / 016 / 024 / 032 / 048 / 064 / 096 / 128 / 192

---



### Advance Information

#### 3.2.1.4.1 General Configuration

This field informs the host that this is a non-magnetic, hard sectored, removable storage device with a transfer rate greater than 10 MByte/sec and is not MFM encoded.

#### 3.2.1.4.2 Default Number of Cylinders

This field contains the number of translated cylinders in the default translation mode. This value will be the same as the number of cylinders.

#### 3.2.1.4.3 Default Number of Heads

This field contains the number of translated heads in the default translation mode.

#### 3.2.1.4.4 Default Number of Sectors per Track

This field contains the number of sectors per track in the default translation mode.

#### 3.2.1.4.5 Number of Sectors

This field contains the number of sectors per ADM. This double word value is also the first invalid address in LBA translation mode.

#### 3.2.1.4.6 Memory Serial Number

The contents of this field are right justified and padded with spaces (20H).

#### 3.2.1.4.7 Buffer Type

This field defines the buffer capability:

0002H: a dual ported multi-sector buffer capable of simultaneous data transfers to or from the host and the ADM.

#### 3.2.1.4.8 Buffer Size

This field defines the buffer capacity in 512 Byte increments. SST's ADM has up to 2 sector data buffer for host interface.

#### 3.2.1.4.9 ECC Count

This field defines the number of ECC bytes used on each sector in the Read and Write Long commands.

#### 3.2.1.4.10 Firmware Revision

This field contains the revision of the firmware for this product.

#### 3.2.1.4.11 Model Number

This field contains the model number for this product and is left justified and padded with spaces (20H).

#### 3.2.1.4.12 Read/Write Multiple Sector Count

This field contains the maximum number of sectors that can be read or written per interrupt using the Read Multiple or Write Multiple commands.

#### 3.2.1.4.13 Capabilities

Bit 13: Standby Timer	Set to 0, forces sleep mode when host is inactive.
Bit 11: IORDY Support	Set to 0, indicates that this device may support IORDY operation.
Bit 9: LBA support	Set to 1, SST's ADMs support LBA mode addressing.
Bit 8: DMA Support	This bit is set to 0. DMA mode is not supported.

#### 3.2.1.4.14 PIO Data Transfer Cycle Timing Mode

This field defines the mode for PIO data transfer. ADM supports up to PIO Mode-4.



**3.2.1.4.15 Translation Parameters Valid**

If bit 0 is 1, it indicates that words 54 to 58 are valid and reflect the current number of cylinders, heads and sectors. If bit 1 is 1, it indicates that words 64 to 70 are valid to support PIO Mode-3 and 4.

**3.2.1.4.16 Current Number of Cylinders, Heads, Sectors/Track**

These fields contains the current number of user addressable Cylinders, Heads, and Sectors/Track in the current translation mode.

**3.2.1.4.17 Current Capacity**

This field contains the product of the current cylinders times heads times sectors.

**3.2.1.4.18 Multiple Sector Setting**

This field contains a validity flag in the Odd Byte and the current number of sectors that can be transferred per interrupt for R/W Multiple in the Even Byte. The Odd Byte is always 01H which indicates that the Even Byte is always valid.

The Even Byte value depends on the value set by the Set Multiple command. The Even Byte of this word by default contains a 00H which indicates that R/W Multiple commands are not valid.

**3.2.1.4.19 Total Sectors Addressable in LBA Mode**

This field contains the number of sectors addressable for the ADM in LBA mode only.

**3.2.1.4.20 Advanced PIO Data Transfer Mode**

ADM supports up to PIO Mode-4.

**3.2.1.4.21 Minimum PIO Transfer Cycle Time Without Flow Control**

The ADM's minimum cycle time is 120 ns.

**3.2.1.4.22 Minimum PIO Transfer Cycle Time with IORDY**

The ADM's minimum cycle time is 120 ns, e.g., PIO Mode-4.





## Advance Information

## 3.2.1.5 Idle - 97H or E3H

Bit ->	7	6	5	4	3	2	1	0
Command (7)	97H or E3H							
C/D/H (6)	X		Drive		X			
Cyl High (5)					X			
Cyl Low (4)					X			
Sec Num (3)					X			
Sec Cnt (2)	Timer Count (5 msec increments)							
Feature (1)					X			

This command causes the ADM to set BSY, enter the Idle Mode, clear BSY and generate an interrupt. If the sector count is non-zero, it is interpreted as a timer count with each count being 5 milliseconds and the automatic power down mode is enabled. If the sector count is zero, the automatic power down mode is also enabled, the timer count is set to 3, with each count being 5 ms. Note that this time base (5 msec) is different from the ATA specification.

## 3.2.1.6 Idle Immediate - 95H or E1H

Bit ->	7	6	5	4	3	2	1	0
Command (7)	95H or E1H							
C/D/H (6)	X		Drive		X			
Cyl High (5)					X			
Cyl Low (4)					X			
Sec Num (3)					X			
Sec Cnt (2)					X			
Feature (1)					X			

This command causes the ADM to set BSY, enter the Idle Mode, clear BSY and generate an interrupt.

## 3.2.1.7 Initialize Drive Parameters - 91H

Bit ->	7	6	5	4	3	2	1	0
Command (7)	91H							
C/D/H (6)	X	0	X	Drive	Max Head (no. of heads-1)			
Cyl High (5)					X			
Cyl Low (4)					X			
Sec Num (3)					X			
Sec Cnt (2)	Number of Sectors							
Feature (1)					X			

This command enables the host to set the number of sectors per track and the number of heads per cylinder. Only the Sector Count and the Drive/Head registers are used by this command.



### 3.2.1.8 Read Buffer - E4H

Bit ->	7	6	5	4	3	2	1	0
Command (7)	E4H							
C/D/H (6)	X		Drive		X			
Cyl High (5)	X							
Cyl Low (4)	X							
Sec Num (3)	X							
Sec Cnt (2)	X							
Feature (1)	X							

The Read Buffer command enables the host to read the current contents of the ADM's sector buffer. This command has the same protocol as the Read Sector(s) command

### 3.2.1.9 Read Multiple - C4H

Bit ->	7	6	5	4	3	2	1	0
Command (7)	C4H							
C/D/H (6)	1	LBA	1	Drive	Head (LBA 27-24)			
Cyl High (5)	Cylinder High (LBA 23-16)							
Cyl Low (4)	Cylinder Low (LBA 15-8)							
Sec Num (3)	Sector Number (LBA 7-0)							
Sec Cnt (2)	Sector Count							
Feature (1)	X							

The Read Multiple command is similar to the Read Sector(s) command. Interrupts are not generated on every sector, but on the transfer of a block which contains the number of sectors defined by a Set Multiple command.

Command execution is identical to the Read Sectors operation except that the number of sectors defined by a Set Multiple command are transferred without intervening interrupts. DRQ qualification of the transfer is required only at the start of the data block, not on each sector.

The block count of sectors to be transferred without intervening interrupts is programmed by the Set Multiple Mode command, which must be executed prior to the Read Multiple command. When the Read Multiple command is issued, the Sector Count Register contains the number of sectors (not the number of blocks or the block count) requested. If the number of requested sectors is not evenly divisible by the block count, as many full blocks as possible are transferred, followed by a final, partial block transfer. The partial block transfer is for n sectors, where

$$n = \text{remainder} (\text{sector count}/\text{block count}).$$

If the Read Multiple command is attempted before the Set Multiple Mode command has been executed or when Read Multiple commands are disabled, the Read Multiple operation is rejected with an Aborted Command error. Disk errors encountered during Read Multiple commands are posted at the beginning of the block or partial block transfer, but DRQ is still set and the data transfer will take place as it normally would, including transfer of corrupted data, if any.

Interrupts are generated when DRQ is set at the beginning of each block or partial block. The error reporting is the same as that on a Read Sector(s) Command. This command reads from 1 to 256 sectors as specified in the Sector Count register. A sector count of 0 requests 256 sectors. The transfer begins at the sector specified in the Sector Number Register.



## Advance Information

At command completion, the Command Block Registers contain the cylinder, head and sector number of the last sector read.

If an error occurs, the read terminates at the sector where the error occurred. The Command Block Registers contain the cylinder, head and sector number of the sector where the error occurred. The flawed data is pending in the sector buffer.

Subsequent blocks or partial blocks are transferred only if the error was a correctable data error. All other errors cause the command to stop after transfer of the block which contained the error.

## 3.2.1.10 Read Long Sector - 22H or 23H

Bit ->	7	6	5	4	3	2	1	0
Command (7)	22H or 23H							
C/D/H (6)	1	LBA	1	Drive	Head (LBA 27-24)			
Cyl High (5)	Cylinder High (LBA 23-16)							
Cyl Low (4)	Cylinder Low (LBA 15-8)							
Sec Num (3)	Sector Number (LBA 7-0)							
Sec Cnt (2)	X							
Feature (1)	X							

The Read Long command performs similarly to the Read Sector(s) command except that it returns 516 Bytes of data instead of 512 Bytes. During a Read Long command, the ADM does not check the ECC bytes to determine if there has been a data error. Only single sector read long operations are supported. The transfer consists of 512 Bytes of data transferred in Word-Mode followed by 4 Bytes of ECC data transferred in Byte-Mode. This command has the same protocol as the Read Sector(s) command. Use of this command is not recommended.

## 3.2.1.11 Read Sectors - 20H or 21H

Bit ->	7	6	5	4	3	2	1	0
Command (7)	20H or 21H							
C/D/H (6)	1	LBA	1	Drive	Head (LBA 27-24)			
Cyl High (5)	Cylinder High (LBA 23-16)							
Cyl Low (4)	Cylinder Low (LBA 15-8)							
Sec Num (3)	Sector Number (LBA 7-0)							
Sec Cnt (2)	Sector Count							
Feature (1)	X							

This command reads from 1 to 256 sectors as specified in the Sector Count register. A sector count of 0 requests 256 sectors. The transfer begins at the sector specified in the Sector Number Register. When this command is issued and after each sector of data (except the last one) has been read by the host, the ADM sets BSY, puts the sector of data in the buffer, sets DRQ, clears BSY, and generates an interrupt. The host then reads the 512 Bytes of data from the buffer.

At command completion, the Command Block Registers contain the cylinder, head and sector number of the last sector read. If an error occurs, the read terminates at the sector where the error occurred. The Command Block Registers contain the cylinder, head, and sector number of the sector where the error occurred. The flawed data is pending in the sector buffer.



### 3.2.1.12 Read Verify Sector(s) - 40H or 41H

Bit ->	7	6	5	4	3	2	1	0
Command (7)	40H or 41H							
C/D/H (6)	1	LBA	1	Drive	Head (LBA 27-24)			
Cyl High (5)	Cylinder High (LBA 23-16)							
Cyl Low (4)	Cylinder Low (LBA 15-8)							
Sec Num (3)	Sector Number (LBA 7-0)							
Sec Cnt (2)	Sector Count							
Feature (1)	X							

This command is identical to the Read Sectors command, except that DRQ is never set and no data is transferred to the host. When the command is accepted, the ADM sets BSY.

When the requested sectors have been verified, the ADM clears BSY and generates an interrupt. Upon command completion, the Command Block Registers contain the cylinder, head, and sector number of the last sector verified.

If an error occurs, the verify terminates at the sector where the error occurs. The Command Block Registers contain the cylinder, head and sector number of the sector where the error occurred. The Sector Count Register contains the number of sectors not yet verified.

### 3.2.1.13 Recalibrate - 1XH

Bit ->	7	6	5	4	3	2	1	0
Command (7)	1XH							
C/D/H (6)	1	LBA	1	Drive	X			
Cyl High (5)	X							
Cyl Low (4)	X							
Sec Num (3)	X							
Sec Cnt (2)	X							
Feature (1)	X							

This command is effectively a NOP command to the ADM and is provided for compatibility purposes.

### 3.2.1.14 Seek - 7XH

Bit ->	7	6	5	4	3	2	1	0
Command (7)	7XH							
C/D/H (6)	1	LBA	1	Drive	Head (LBA 27-24)			
Cyl High (5)	Cylinder High (LBA 23-16)							
Cyl Low (4)	Cylinder Low (LBA 15-8)							
Sec Num (3)	X (LBA 7-0)							
Sec Cnt (2)	X							
Feature (1)	X							

This command is effectively a NOP command to the ADM although it does perform a range check of cylinder and head or LBA address and returns an error if the address is out of range.



## Advance Information

## 3.2.1.15 Set Features - EFH

Bit ->	7	6	5	4	3	2	1	0
Command (7)	EFH							
C/D/H (6)		X		Drive			X	
Cyl High (5)					X			
Cyl Low (4)					X			
Sec Num (3)					X			
Sec Cnt (2)					Config			
Feature (1)					Feature			

This command is used by the host to establish or select certain features. Table 3-5 defines all features that are supported.

**TABLE 3-5: FEATURES SUPPORTED**

Feature	Operation
01H	Enable 8-bit data transfers.
55H	Disable Read Look Ahead.
66H	Disable Power on Reset (POR) establishment of defaults at software Reset.
69H	NOP - Accepted for backward compatibility.
81H	Disable 8-bit data transfer.
96H	NOP - Accepted for backward compatibility.
97H	NOP - Accepted for backward compatibility.
9AH	NOP - accepted for compatibility.
BBH	4 Bytes of data apply on Read/Write Long commands.
CCH	Enable Power on Reset (POR) establishment of defaults at software Reset.

T3-5.1 519

Features 01H and 81H are used to enable and clear 8-bit data transfer mode. If the 01H feature command is issued all data transfers will occur on the low order D7-D0 data bus and the IOCS16# signal will not be asserted for data register accesses.

Features 55H and BBH are the default features for the ADM; thus, the host does not have to issue this command with these features unless it is necessary for compatibility reasons.

Features 66H and CCH can be used to enable and disable whether the Power On Reset (POR) Defaults will be set when a software Reset occurs.



### 3.2.1.16 Set Multiple Mode - C6H

Bit ->	7	6	5	4	3	2	1	0
Command (7)	C6H							
C/D/H (6)	X		Drive		X			
Cyl High (5)	X							
Cyl Low (4)	X							
Sec Num (3)	X							
Sec Cnt (2)	Sector Count							
Feature (1)	X							

This command enables the ADM to perform Read and Write Multiple operations and establishes the block count for these commands. The Sector Count Register is loaded with the number of sectors per block. Upon receipt of the command, the ADM sets BSY to 1 and checks the Sector Count Register.

If the Sector Count Register contains a valid value and the block count is supported, the value is loaded for all subsequent Read Multiple and Write Multiple commands and execution of those commands is enabled. If a block count is not supported, an Aborted Command error is posted, and Read Multiple and Write Multiple commands are disabled. If the Sector Count Register contains 0 when the command is issued, Read and Write Multiple commands are disabled. At power on, or after a hardware or (unless disabled by a Set Feature command) software reset, the default mode is Read and Write Multiple disabled.

### 3.2.1.17 Set Sleep Mode - 99H or E6H

Bit ->	7	6	5	4	3	2	1	0
Command (7)	99H or E6H							
C/D/H (6)	X		Drive		X			
Cyl High (5)	X							
Cyl Low (4)	X							
Sec Num (3)	X							
Sec Cnt (2)	X							
Feature (1)	X							

This command causes the ADM to set BSY, enter the Sleep mode, clear BSY and generate an interrupt. Recovery from sleep mode is accomplished by simply issuing another command (a reset is permitted but not required). Sleep mode is also entered when internal timers expire so the host does not need to issue this command except when it wishes to enter Sleep mode immediately. The default value for the timer is 15 milliseconds.



## Advance Information

## 3.2.1.18 Standby - 96H or E2H

Bit ->	7	6	5	4	3	2	1	0
Command (7)	96H or E2H							
C/D/H (6)	X		Drive		X			
Cyl High (5)					X			
Cyl Low (4)					X			
Sec Num (3)					X			
Sec Cnt (2)					X			
Feature (1)					X			

This command causes the ADM to set BSY, enter the Sleep mode (which corresponds to the ATA "Standby" Mode), clear BSY and return the interrupt immediately. Recovery from sleep mode is accomplished by simply issuing another command (a reset is not required).

## 3.2.1.19 Standby Immediate - 94H or E0H

Bit ->	7	6	5	4	3	2	1	0
Command (7)	94H or E0H							
C/D/H (6)	X		Drive		X			
Cyl High (5)					X			
Cyl Low (4)					X			
Sec Num (3)					X			
Sec Cnt (2)					X			
Feature (1)					X			

This command causes the ADM to set BSY, enter the Sleep mode (which corresponds to the ATA "Standby" Mode), clear BSY and return the interrupt immediately. Recovery from sleep mode is accomplished by simply issuing another command (a reset is not required).

## 3.2.1.20 Write Buffer - E8H

Bit ->	7	6	5	4	3	2	1	0
Command (7)	E8H							
C/D/H (6)		X		Drive			X	
Cyl High (5)					X			
Cyl Low (4)					X			
Sec Num (3)					X			
Sec Cnt (2)					X			
Feature (1)					X			

The Write Buffer command enables the host to overwrite contents of the ADM's sector buffer with any data pattern desired. This command has the same protocol as the Write Sector(s) command and transfers 512 Bytes.



### 3.2.1.21 Write Long Sector - 32H or 33H

Bit ->	7	6	5	4	3	2	1	0
Command (7)	32H or 33H							
C/D/H (6)	1	LBA	1	Drive	Head (LBA 27-24)			
Cyl High (5)	Cylinder High (LBA 23-16)							
Cyl Low (4)	Cylinder Low (LBA 15-8)							
Sec Num (3)	Sector Number (LBA 7-0)							
Sec Cnt (2)	X							
Feature (1)	X							

This command is similar to the Write Sector(s) command except that it writes 516 Bytes instead of 512 Bytes. Only single sector Write Long operations are supported. The transfer consists of 512 Bytes of data transferred in Word-Mode followed by 4 Bytes of ECC transferred in Byte-Mode. Because of the unique nature of the solid-state ADM, the 4 Bytes of ECC transferred by the host may be used by the ADM. The ADM may discard these 4 Bytes and write the sector with valid ECC data. This command has the same protocol as the Write Sector(s) command. Use of this command is not recommended.

### 3.2.1.22 Write Multiple Command - C5H

Bit ->	7	6	5	4	3	2	1	0
Command (7)	C5H							
C/D/H (6)	X	LBA	X	Drive	Head			
Cyl High (5)	Cylinder High							
Cyl Low (4)	Cylinder Low							
Sec Num (3)	Sector Number							
Sec Cnt (2)	Sector Count							
Feature (1)	X							

**Note:** The current revision of the SST ADM can support up to a block count of 1 as indicated in the Identify Drive Command information.

This command is similar to the Write Sectors command. The ADM sets BSY within 400 ns of accepting the command. Interrupts are not presented on each sector but on the transfer of a block which contains the number of sectors defined by Set Multiple. Command execution is identical to the Write Sectors operation except that the number of sectors defined by the Set Multiple command is transferred without intervening interrupts.

DRQ qualification of the transfer is required only at the start of the data block, not on each sector. The block count of sectors to be transferred without intervening interrupts is programmed by the Set Multiple Mode command, which must be executed prior to the Write Multiple command.

When the Write Multiple command is issued, the Sector Count Register contains the number of sectors (not the number of blocks or the block count) requested. If the number of requested sectors is not evenly divisible by the sector/block, as many full blocks as possible are transferred, followed by a final, partial block transfer. The partial block transfer is for n sectors, where:

$$n = \text{remainder}(\text{sector count}/\text{block count})$$

If the Write Multiple command is attempted before the Set Multiple Mode command has been executed or when Write Multiple commands are disabled, the Write Multiple operation will be rejected with an aborted command error.





## Advance Information

Errors encountered during Write Multiple commands are posted after the attempted writes of the block or partial block transferred. The Write command ends with the sector in error, even if it is in the middle of a block. Subsequent blocks are not transferred in the event of an error. Interrupts are generated when DRQ is set at the beginning of each block or partial block.

The Command Block Registers contain the cylinder, head and sector number of the sector where the error occurred and the Sector Count Register contains the residual number of sectors that need to be transferred for successful completion of the command e.g. each block has 4 sectors, a request for 8 sectors is issued and an error occurs on the third sector. The Sector Count Register contains 6 and the address is that of the third sector.

## 3.2.1.23 Write Sector(s) - 30H or 31H

Bit ->	7	6	5	4	3	2	1	0
Command (7)	30H or 31H							
C/D/H (6)	1	LBA	1	Drive	Head (LBA 27-24)			
Cyl High (5)	Cylinder High (LBA 23-16)							
Cyl Low (4)	Cylinder Low (LBA 15-8)							
Sec Num (3)	Sector Number (LBA 7-0)							
Sec Cnt (2)	Sector Count							
Feature (1)	X							

This command writes from 1 to 256 sectors as specified in the Sector Count Register. A sector count of zero requests 256 sectors. The transfer begins at the sector specified in the Sector Number Register. When this command is accepted, the ADM sets BSY, then sets DRQ and clears BSY, then waits for the host to fill the sector buffer with the data to be written. No interrupt is generated to start the first host transfer operation. No data should be transferred by the host until BSY has been cleared by the host.

For multiple sectors, after the first sector of data is in the buffer, BSY will be set and DRQ will be cleared. After the next buffer is ready for data, BSY is cleared, DRQ is set and an interrupt is generated. When the final sector of data is transferred, BSY is set and DRQ is cleared. It will remain in this state until the command is completed at which time BSY is cleared and an interrupt is generated.

If an error occurs during a write of more than one sector, writing terminates at the sector where the error occurs. The Command Block Registers contain the cylinder, head and sector number of the sector where the error occurred. The host may then read the command block to determine what error has occurred, and on which sector.

## 3.2.1.24 Write Verify - 3CH

Bit ->	7	6	5	4	3	2	1	0
Command (7)	3CH							
C/D/H (6)	1	LBA	1	Drive	Head (LBA 27-24)			
Cyl High (5)	Cylinder High (LBA 23-16)							
Cyl Low (4)	Cylinder Low (LBA 15-8)							
Sec Num (3)	Sector Number (LBA 7-0)							
Sec Cnt (2)	Sector Count							
Feature (1)	X							

This command is similar to the Write Sector(s) command, except each sector is verified immediately after being written. This command has the same protocol as the Write Sector(s) command.



### 3.2.2 Error Posting

The following table summarizes the valid status and error value for all the ADM Command set.

**TABLE 3-6: ERROR AND STATUS REGISTER**

Command	Error Register					Status Register				
	BBK	UNC	IDNF	ABRT	AMNF	DRDY	DWF	DSC	CORR	ERR
Check Power Mode				V		V	V	V		V
Execute Drive Diagnostic <sup>1</sup>						V		V		V
Format Track			V	V	V	V	V	V		V
Identify Drive				V		V	V	V		V
Idle				V		V	V	V		V
Idle Immediate				V		V	V	V		V
Initialize Drive Parameters						V		V		V
Read Buffer				V		V	V	V		V
Read Multiple	V	V	V	V	V	V	V	V	V	V
Read Long Sector	V		V	V	V	V	V	V		V
Read Sector(s)	V	V	V	V	V	V	V	V	V	V
Read Verify Sectors	V	V	V	V	V	V	V	V	V	V
Recalibrate				V		V	V	V		V
Seek			V	V		V	V	V		V
Set Features				V		V	V	V		V
Set Multiple Mode				V		V	V	V		V
Set Sleep Mode				V		V	V	V		V
Standby				V		V	V	V		V
Standby Immediate				V		V	V	V		V
Write Buffer				V		V	V	V		V
Write Long Sector	V		V	V	V	V	V	V		V
Write Multiple	V		V	V	V	V	V	V		V
Write Sector(s)	V		V	V	V	V	V	V		V
Write Verify	V		V	V	V	V	V	V		V
Invalid Command Code				V		V	V	V		V

1. See Table 3-3

T3-6.0 519

**Note:** V = valid on this command

## ATA-Disk Module

SST58SM008 / 016 / 024 / 032 / 048 / 064 / 096 / 128 / 192

SST58LM008 / 016 / 024 / 032 / 048 / 064 / 096 / 128 / 192

---



Advance Information

### 4.0 APPENDIX

#### 4.1 Differences between ATA-Disk Module and ATA/ATAPI-5 Specifications

This section details differences between ADM vs. ATA.

##### 4.1.1 Electrical Differences

###### 4.1.1.1 TTL Compatibility

ADM is not TTL compatible, it is a purely CMOS interface. Refer to Section 2.3.2 of this specification.

###### 4.1.1.2 Pull Up Resistor Input Leakage Current

The minimum pull up resistor input leakage current is 50K ohms rather than the 10K ohms stated in the ATA specification.

##### 4.1.2 Functional Differences

###### 4.1.2.1 Idle Timer

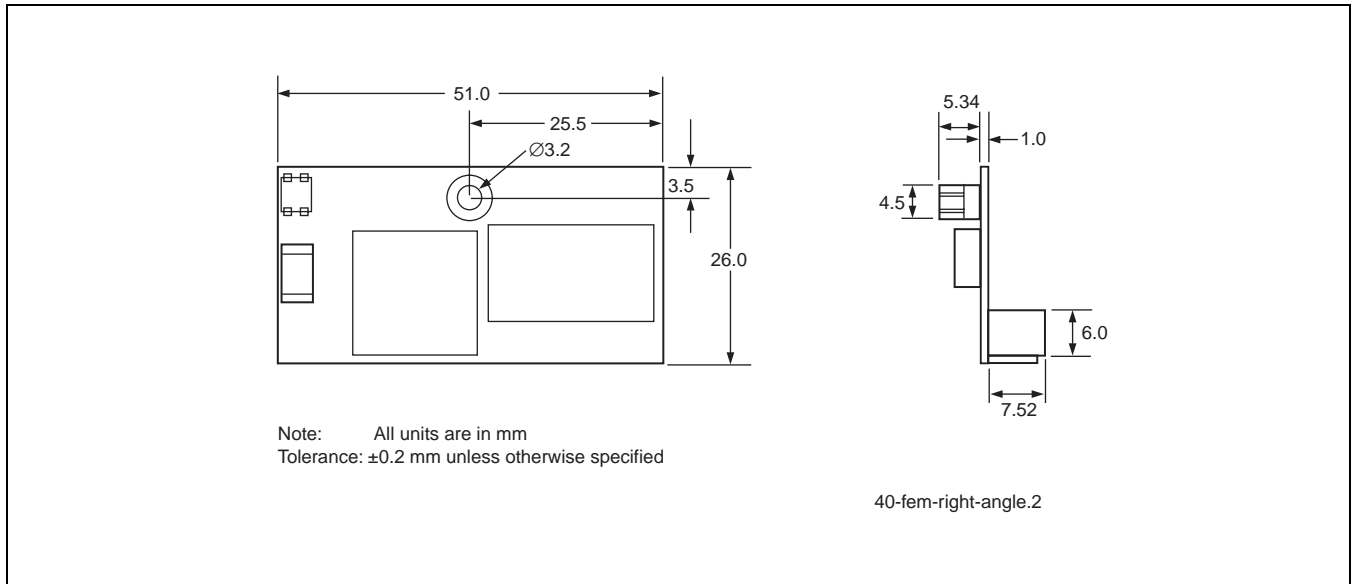
The Idle timer uses an incremental value of 5 ms, rather than the 5 sec minimum increment value specified in ATA specifications.

###### 4.1.2.2 Recovery from Sleep Mode

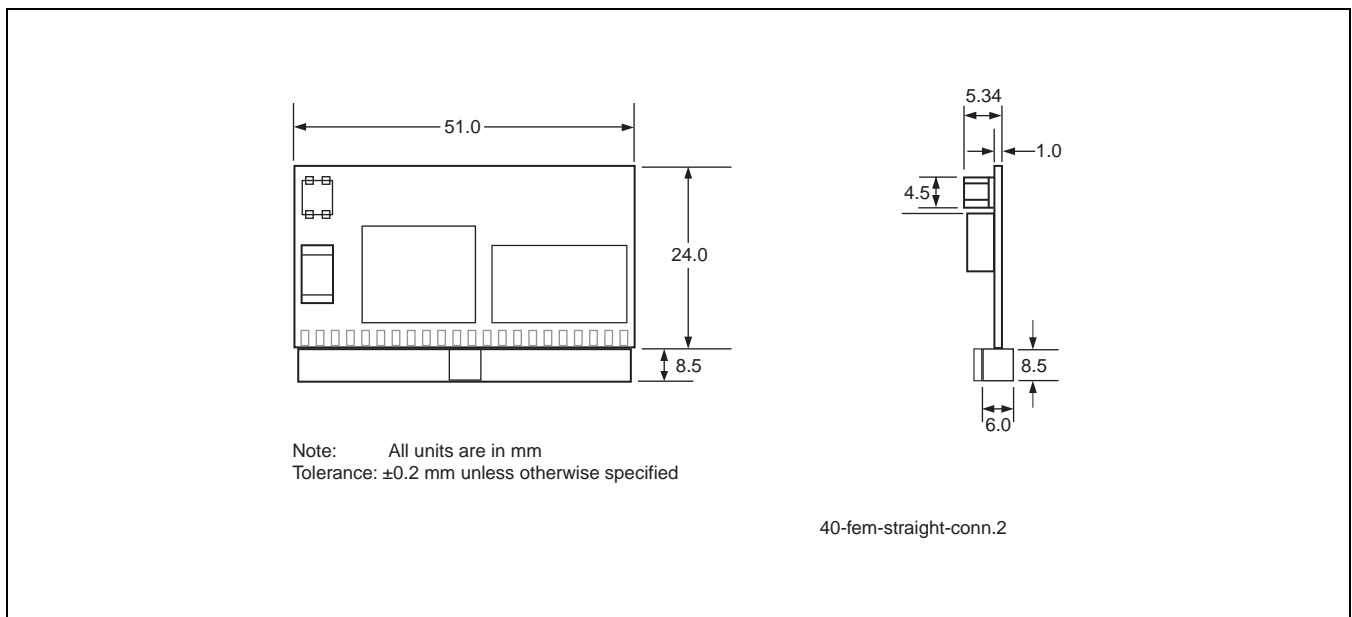
For ADM devices, recovery from sleep mode is accomplished by simply issuing another command to the device. A hardware or software reset is not required.



## 5.0 PHYSICAL DIMENSIONS



**40-PIN FEMALE RIGHT ANGLE CONNECTOR**  
**SST PACKAGE CODE: FRI**



**40-PIN FEMALE STRAIGHT CONNECTOR**  
**SST PACKAGE CODE: FSI**

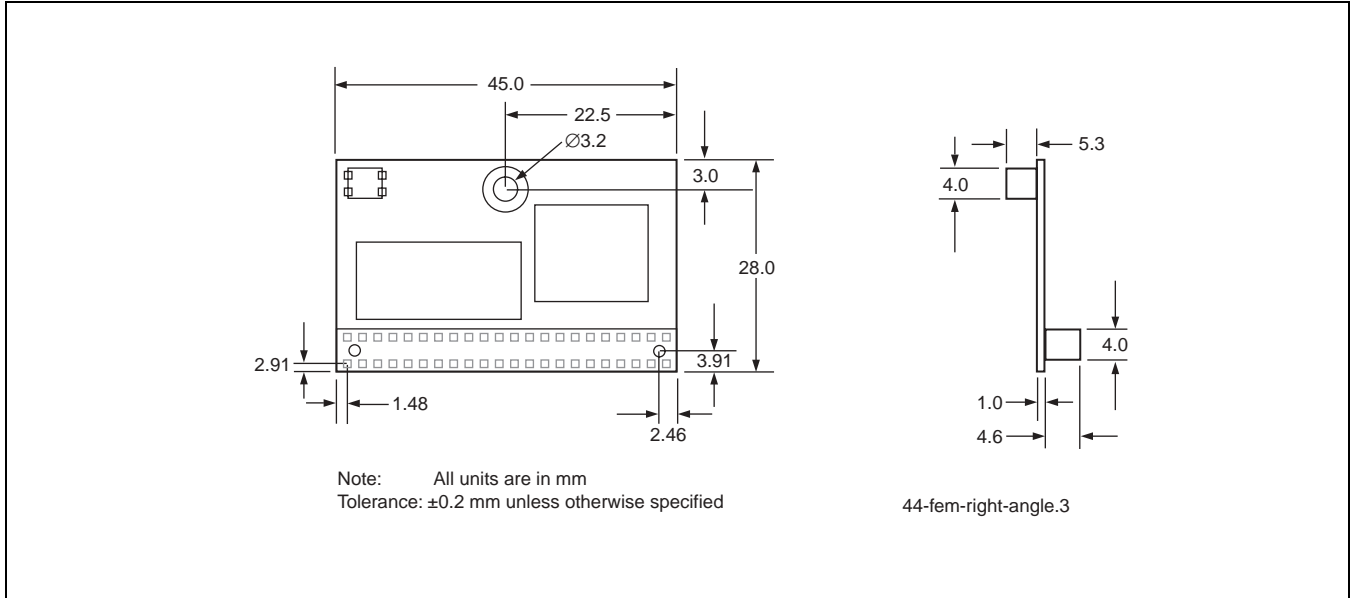
**ATA-Disk Module**

**SST58SM008 / 016 / 024 / 032 / 048 / 064 / 096 / 128 / 192**

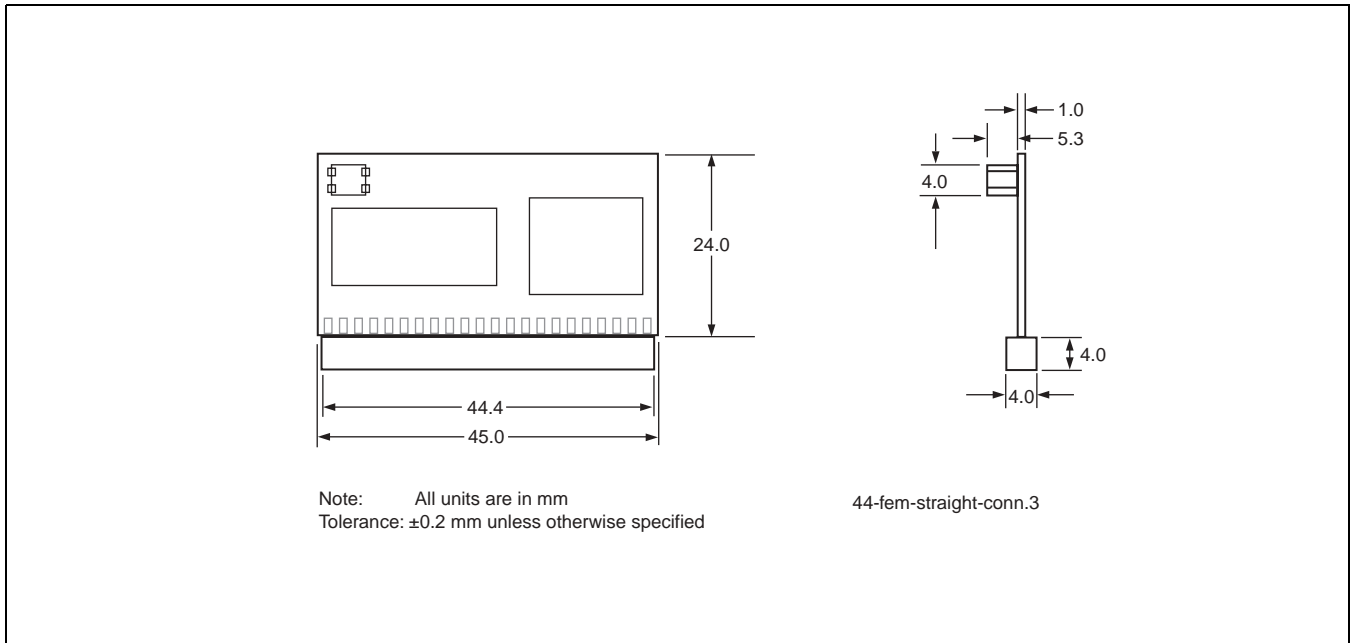
**SST58LM008 / 016 / 024 / 032 / 048 / 064 / 096 / 128 / 192**



Advance Information



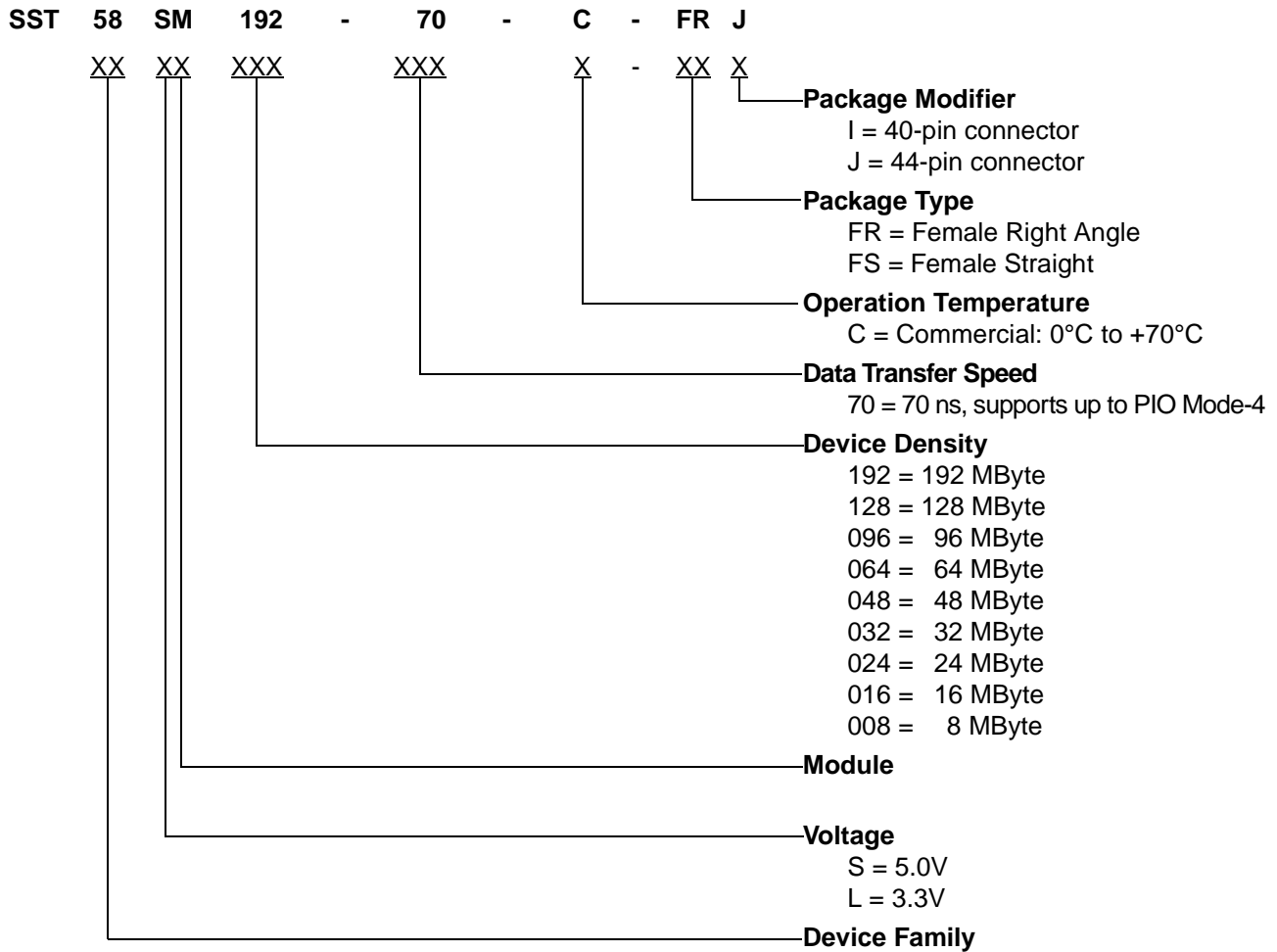
**44-PIN FEMALE RIGHT ANGLE CONNECTOR**  
**SST PACKAGE CODE: FRJ**



**44-PIN FEMALE STRAIGHT CONNECTOR**  
**SST PACKAGE CODE: FSJ**



## 6.0 PRODUCT ORDERING INFORMATION



## 6.1 Valid Combinations

### Valid combinations for SST58SM008

SST58SM008-70-C-FRI    SST58SM008-70-C-FSI    SST58SM008-70-C-FRJ    SST58SM008-70-C-FSJ

### Valid combinations for SST58LM008

SST58LM008-70-C-FRI    SST58LM008-70-C-FSI    SST58LM008-70-C-FRJ    SST58LM008-70-C-FSJ

### Valid combinations for SST58SM016

SST58SM016-70-C-FRI    SST58SM016-70-C-FSI    SST58SM016-70-C-FRJ    SST58SM016-70-C-FSJ

### Valid combinations for SST58LM016

SST58LM0016-70-C-FRI    SST58LM0016-70-C-FSI    SST58LM0016-70-C-FRJ    SST58LM0016-70-C-FSJ

## ATA-Disk Module

**SST58SM008 / 016 / 024 / 032 / 048 / 064 / 096 / 128 / 192**

**SST58LM008 / 016 / 024 / 032 / 048 / 064 / 096 / 128 / 192**



### Advance Information

#### Valid combinations for SST58SM024

SST58SM024-70-C-FRI    SST58SM024-70-C-FSI    SST58SM024-70-C-FRJ    SST58SM024-70-C-FSJ

#### Valid combinations for SST58LM024

SST58LM024-70-C-FRI    SST58LM024-70-C-FSI    SST58LM024-70-C-FRJ    SST58LM024-70-C-FSJ

#### Valid combinations for SST58SM032

SST58SM032-70-C-FRI    SST58SM032-70-C-FSI    SST58SM032-70-C-FRJ    SST58SM032-70-C-FSJ

#### Valid combinations for SST58LM032

SST58LM032-70-C-FRI    SST58LM032-70-C-FSI    SST58LM032-70-C-FRJ    SST58LM032-70-C-FSJ

#### Valid combinations for SST58SM048

SST58SM048-70-C-FRI    SST58SM048-70-C-FSI    SST58SM048-70-C-FRJ    SST58SM048-70-C-FSJ

#### Valid combinations for SST58LM048

SST58LM048-70-C-FRI    SST58LM048-70-C-FSI    SST58LM048-70-C-FRJ    SST58LM048-70-C-FSJ

#### Valid combinations for SST58SM064

SST58SM064-70-C-FRI    SST58SM064-70-C-FSI    SST58SM064-70-C-FRJ    SST58SM064-70-C-FSJ

#### Valid combinations for SST58LM064

SST58LM064-70-C-FRI    SST58LM064-70-C-FSI    SST58LM064-70-C-FRJ    SST58LM064-70-C-FSJ

#### Valid combinations for SST58SM096

SST58SM096-70-C-FRI    SST58SM096-70-C-FSI    SST58SM096-70-C-FRJ    SST58SM096-70-C-FSJ

#### Valid combinations for SST58LM096

SST58LM096-70-C-FRI    SST58LM096-70-C-FSI    SST58LM096-70-C-FRJ    SST58LM096-70-C-FSJ

#### Valid combinations for SST58SM128

SST58SM128-70-C-FRI    SST58SM128-70-C-FSI    SST58SM128-70-C-FRJ    SST58SM128-70-C-FSJ

#### Valid combinations for SST58LM128

SST58LM128-70-C-FRI    SST58LM128-70-C-FSI    SST58LM128-70-C-FRJ    SST58LM128-70-C-FSJ

#### Valid combinations for SST58SM192

SST58SM192-70-C-FRI    SST58SM192-70-C-FSI    SST58SM192-70-C-FRJ    SST58SM192-70-C-FSJ

#### Valid combinations for SST58LM192

SST58LM192-70-C-FRI    SST58LM192-70-C-FSI    SST58LM192-70-C-FRJ    SST58LM192-70-C-FSJ

**Note:** Valid combinations are those products in mass production or will be in mass production. Consult your SST sales representative to confirm availability of valid combinations and to determine availability of new combinations.



## 7.0 LIMITED WARRANTY

SST warrants all products against non-conformances in materials and workmanship for a period of one year from the delivery date of subject products. SST's liability is limited to replacing or repairing the product if it has been paid for. SST's warranties will not be affected by rendering of technical advice in connection with the order of products furnished hereunder. Except as expressly provided above, SST makes no warranties, express or implied, including without limitation any warranty of merchantability or fitness for a particular purpose. In no event shall SST be liable for any incidental or consequential damages with respect to the products purchased hereunder. SST reserves the right to discontinue production or change specifications or change prices at any time and without notice.

The information in this publication is believed to be accurate in all respects at the time of publication, but is subject to change without notice. SST assumes no responsibility for any errors or omissions, and disclaims responsibility for any consequences resulting from the use of the information provided herein. SST assumes no responsibility for the use of any circuitry other than circuitry embodied in an SST product; no other circuits, patents, or licenses are implied. SST assumes no responsibility for the functioning of features or parameters not described herein.

### 7.1 Life Support Policy

SST's products are not authorized for use as critical component in life support devices or systems. Life support devices or systems are devices or systems that, (a) are intended for surgical implant into the body, or (b) support or sustain life and whose failure to perform, when properly used in accordance with instructions for use provided in the labeling, can be reasonably expected to result in a significant injury to the user.

A critical component is any component of a life support device or system whose failure to perform can be expected to cause the failure of the life support device or system, or the affect its safety or effectiveness.

### 7.2 Patent Protection

SST products are protected by assigned U.S. and foreign patents.