



PRELIMINARY

SOLID STATE DEVICES, INC

14849 Firestone Boulevard · La Mirada, CA 90638  
Phone: (714) 670-SSDI (7734) · Fax: (714) 522-7424

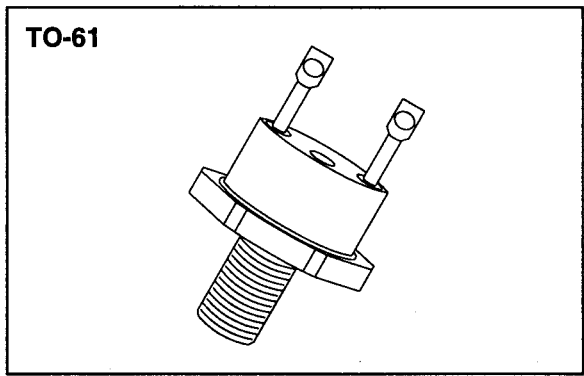
SDR950/61  
thru  
SDR952/61

## Designer's Data Sheet

60 AMP  
100-200 VOLTS  
35 nsec  
HYPER FAST  
RECTIFIER

### FEATURES:

- Hyper Fast Recovery: 35 nsec Maximum
- High Surge Rating
- Low Reverse Leakage Current
- Low Junction Capacitance
- Hermetically Sealed Package
- Gold Eutectic Die Attach available
- Ultrasonic Aluminum Wire Bonds
- Isolated case (Stud)
  
- TX, TXV and Space Level Screening Available



## MAXIMUM RATINGS

RATING	SYMBOL	VALUE	UNIT
Peak Repetitive Reverse and DC Blocking Voltage	VRRM	100	Volts
	VRWM	150	
	VR	200	
Average Rectified Forward Current (Resistive Load, 60Hz, Sine Wave, TA=25°C)	Io	60	Amps
Peak Surge Current (8.3 ms Pulse, Half Sine Wave, TA=25°C)	IFSM	450	Amps
Operating and storage temperature	Top & Tstg	-65 to +200	°C
Maximum Thermal Resistance Junction to Case	RθJC	0.75	°C/W

NOTE: All specifications are subject to change without notification. SCD's for these devices should be reviewed by SSDI prior to release.

DATA SHEET#: RH0045 B

**SDR950/61  
thru  
SDR952/61**

PRELIMINARY



**SOLID STATE DEVICES, INC**

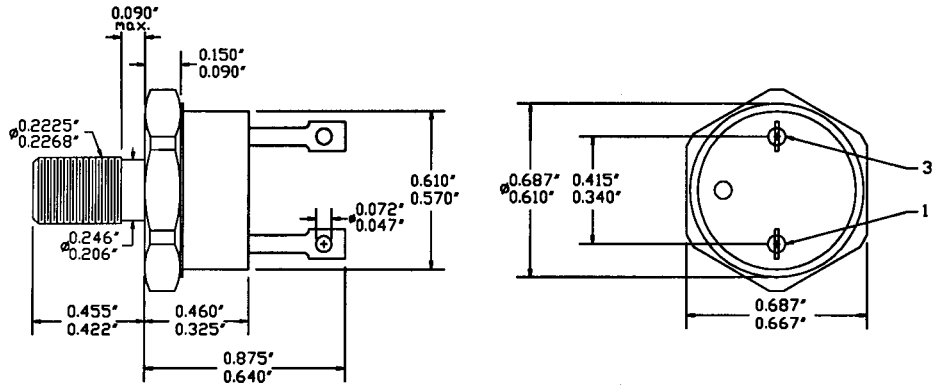
14849 Firestone Boulevard · La Mirada, CA 90638  
Phone: (714) 670-SSDI (7734) · Fax: (714) 522-7424

**ELECTRICAL CHARACTERISTICS**

CHARACTERISTICS	SYMBOL	MAXIMUM	UNIT
<b>Instantaneous Forward Voltage Drop</b> (IF = 25 Adc, TA=25°C, 300µs Pulse) (IF = 50 Adc, TA=25°C, 300µs Pulse)	<b>VF</b>	1.05 1.25	<b>Vdc</b>
<b>Instantaneous Forward Voltage Drop</b> (IF = 25 Adc, TA= 100°C, 300µs Pulse) (IF = 25 Adc, TA= - 55°C, 300µs Pulse)	<b>VF</b>	0.95 1.20	<b>Vdc</b>
<b>Reverse Leakage Current</b> (Rated VR, TA=25°C, 300µs pulse minimum)	<b>IR</b>	100	<b>µA</b>
<b>Reverse Leakage Current</b> (Rated VR, TA=100°C, 300µs pulse minimum)	<b>IR</b>	10	<b>mA</b>
<b>Junction Capacitance</b> (VR = 10 Vdc, TA=25°C, f= 1 MHz)	<b>CJ</b>	450	<b>pf</b>
<b>Reverse Recovery Time</b> (IF=500mA, IR=1 A, IRR=250mA, TA=25°C)	<b>trr</b>	35	<b>nsec</b>

**CASE OUTLINE: TO-61**

PIN 1: ANODE  
PIN 3: CATHODE



**TYPICAL OPERATING CURVES**  
TA=25°C Unless otherwise specified

