

PLEASE CHECK WWW.MOLEX.COM FOR LATEST PART INFORMATION

Part Number: [0470184001](#)
Status: **Active**
Description: 1.27mm (.050") Pitch Serial ATA Host Receptacle, Mating Height 5.15mm (.203"), 0.76µm (30µ") Gold (Au) Plating, Light Tin Solder Area, SurfaceMount, Right Angle, Top Mount Type, 22 Circuits, Lead Free

Documents:

[3D Model](#) [Product Specification PS-67492-001 \(PDF\)](#)
[Drawing \(PDF\)](#) [RoHS Certificate of Compliance \(PDF\)](#)

Agency Certification

CSA LR 19980
 UL E29179

General

Product Family PCB Receptacles
 Series [47018](#)
 Application Board-to-Board
 Comments Top Mount Type
 Product Name Serial ATA

Physical

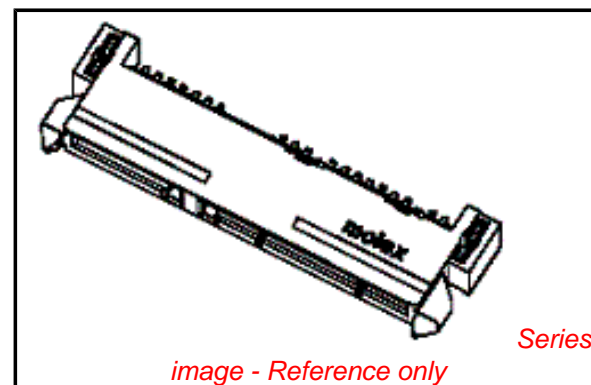
Circuits (Loaded) 22
 Color - Resin Black
 Durability (mating cycles max) 500
 Flammability 94V-0
 Glow-Wire Compliant No
 Keying to Mating Part Yes
 Lock to Mating Part None
 Material - Metal Copper Alloy
 Material - Plating Mating Gold
 Material - Plating Termination Tin
 Number of Rows 1
 Orientation Right Angle
 PCB Locator Yes
 PCB Retention Yes
 PCB Thickness Recommended (in) 0.062 In
 PCB Thickness Recommended (mm) 1.60 mm
 Packaging Type Tray
 Pitch - Mating Interface (in) 0.050 In
 Pitch - Mating Interface (mm) 1.27 mm
 Plating min: Mating (µin) 30
 Plating min: Mating (µm) 0.76
 Plating min: Termination (µin) 80
 Plating min: Termination (µm) 2.00
 Polarized to Mating Part Yes
 Polarized to PCB Yes
 Surface Mount Compatible (SMC) N/A
 Temperature Range - Operating -35°C to +85°C
 Termination Interface: Style Surface Mount

Electrical

Current - Maximum per Contact 1.5A
 Voltage - Maximum 15V DC

Solder Process Data

Lead-free Process Capability Reflow Capable (SMT only)



EU RoHS

ELV and RoHS Compliant
REACH SVHC
 Not Reviewed
Halogen-Free Status
 Not Reviewed

China RoHS



Need more information on product environmental compliance?

Email productcompliance@molex.com
 For a multiple part number RoHS Certificate of Compliance, [click here](#)

Please visit the [Contact Us](#) section for any non-product compliance questions.

Search Parts in this Series

47018Series

Mates With

87703-0001

Process Temperature max. C 230

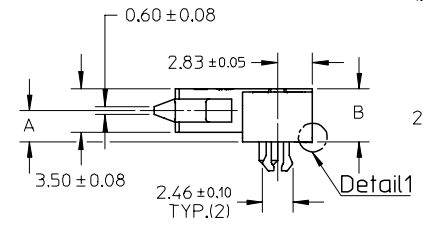
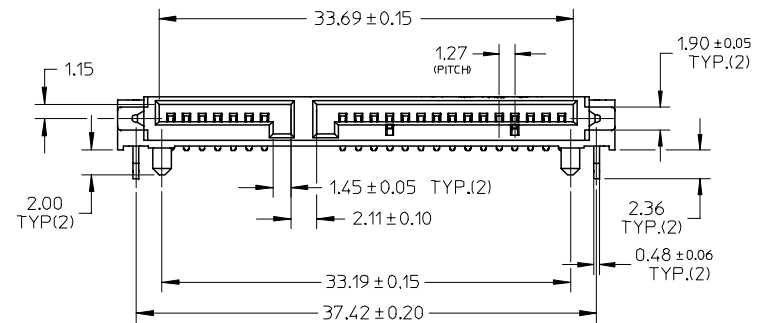
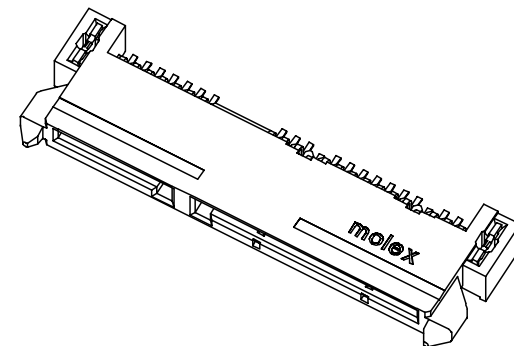
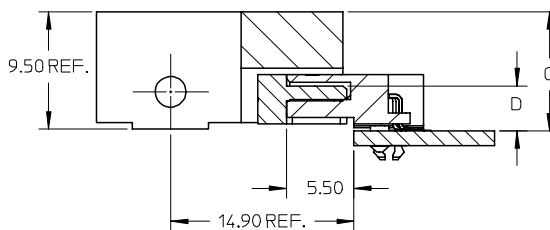
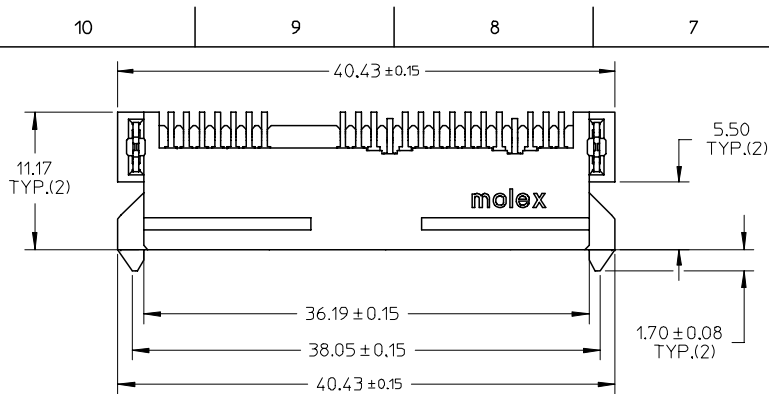
Material Info

Reference - Drawing Numbers

Product Specification PS-67492-001
Sales Drawing SD-47018-001

This document was generated on 04/14/2010

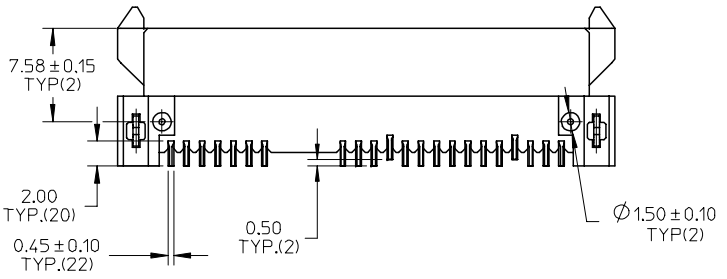
PLEASE CHECK WWW.MOLEX.COM FOR LATEST PART INFORMATION



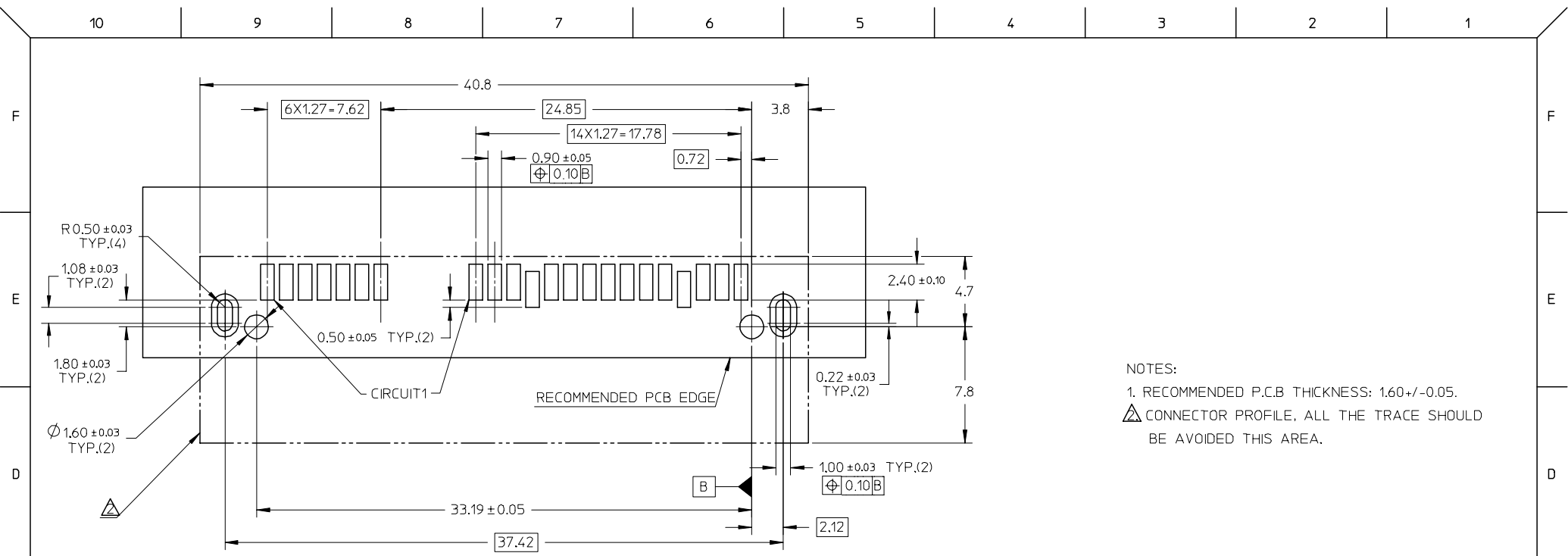
Detail1

NOTES:

- MATERIAL:
 - HOUSING: THERMAL PLASTIC, GLASS FILLED, UL94V-0. COLOR: BLACK,
 - FORKLOCK: COPPER ALLOY,
 - TERMINALS: COPPER ALLOY.
- TERMINAL PLATING:
 - CONTACT AREA:
 - (a) GOLD FLASH;
 - (b) GOLD, THICKNESS=0.76 MICRONS MINIMUM,
 - (c) GOLD, THICKNESS=0.38 MICRONS MINIMUM,
 - SOLDER AREA: TIN, THICKNESS=2.00 MICRONS MINIMUM,
 - UNDER PLATE: NICKEL, THICKNESS=1.27 MICRONS MINIMUM.
- FORLOCK PLATING:
 - SOLDER AREA: TIN, THICKNESS=2.00 MICRONS MINIMUM,
 - UNDER PLATING: NICKEL, THICKNESS=1.27 MICRONS MINIMUM.
- PRODUCT SPECIFICATION: PS-67492-001.
- PACKAGING METHOD: 47018-400*, TAPE REEL, DETAIL REFER TO PK-47018-003, OTHERS, TRAY, DETAIL REFER TO PK-67492-001.
- MATING PARTS: 87703/87672.
- PRODUCT COMPLIANT TO RoSH DIRECTIVE 2002/95/EC AND 2000/53/EC.

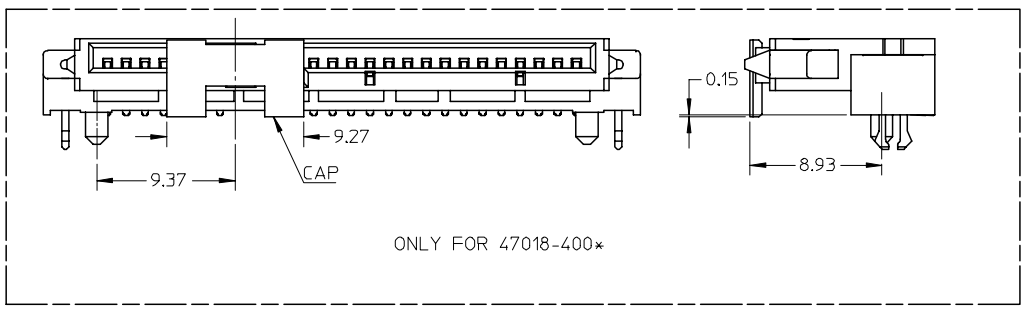


ADD PART NO EC NO: SH2007-0187 DRWN:HZHA006 CHKD:JTIAN APPR: JNCHEH 2006/09/15 2006/09/19 2006/10/17	DESCRIPTION REV	QUALITY SYMBOLS	GENERAL TOLERANCES (UNLESS SPECIFIED)	DIMENSION STYLE	SCALE	DESIGN UNITS	THIRD ANGLE PROJECTION
		$\nabla=0$ $\sphericalangle=0$	mm INCH 4 PLACES ± --- ± --- 3 PLACES ± --- ± --- 2 PLACES ± 0.25 ± --- 1 PLACE ± 0.25 ± --- ANGULAR ± 3 °	MM ONLY	2:1	METRIC	
		DRAFT WHERE APPLICABLE MUST REMAIN WITHIN DIMENSIONS	DRAWN BY TOM LI CHECKED BY GRATE MA APPROVED BY VINCENT DATE 2004/10/25 2004/10/25 2004/10/25	TITLE	SERIAL ATA DOCKING CONNECTOR TOP MOUNT TYPE		
		MATERIAL NO. SEE SHEET 2 SIZE A3	DOCUMENT NO. SD-47018-001	SHEET NO. 1 OF 2			



NOTES:
 1. RECOMMENDED P.C.B THICKNESS: 1.60+/-0.05.
 △ CONNECTOR PROFILE, ALL THE TRACE SHOULD BE AVOIDED THIS AREA.

RECOMMENDED P.C.B LAYOUT (COMPONENT SIDE)



PRODUCT	CONTACT PLATING SPEC	DIM'A'	DIM'B'	DIM'C'	DIM'D'	PACKAGE	REMARK
47018-4000	NOTES 2 (A) OF SHEET 1	3.40	5.15	10.50	4.50	TAPE REEL	PURE TIN
47018-4001	NOTES 2 (B) OF SHEET 1						(LIGHT TIN)
47018-4002	NOTES 2 (C) OF SHEET 1						WITH CAP
47018-3000	NOTES 2 (A) OF SHEET 1	2.95	4.70	10.05	4.05	TRAY	PURE TIN
47018-3001	NOTES 2 (B) OF SHEET 1						(LIGHT TIN)
47018-3002	NOTES 2 (C) OF SHEET 1						
47018-2010	NOTES 2 (A) OF SHEET 1	2.55	4.30	9.65	3.65	TRAY	PURE TIN
47018-2011	NOTES 2 (B) OF SHEET 1						(MATTE TIN)
47018-2012	NOTES 2 (C) OF SHEET 1						
47018-2000	NOTES 2 (A) OF SHEET 1	2.55	4.30	9.65	3.65	TRAY	PURE TIN
47018-2001	NOTES 2 (B) OF SHEET 1						(LIGHT TIN)
47018-2002	NOTES 2 (C) OF SHEET 1						

ADD PART NO EC NO: SH2007-0187 DRWN: HZHA006 CHKD: JTIAN APPR: JNCHEN	QUALITY SYMBOLS ▽=0 ▽=0	GENERAL TOLERANCES (UNLESS SPECIFIED)		DIMENSION STYLE MM ONLY		SCALE 1:1	DESIGN UNITS METRIC	THIRD ANGLE PROJECTION		
						DRAWN BY TOM LI		TITLE SERIAL ATA DOCKING CONNECTOR TOP MOUNT TYPE		
						CHECKED BY GRATE MA		MATERIAL NO. VINCENT		
						APPROVED BY VINCENT		DOCUMENT NO. SD-47018-001		
		DRAFT WHERE APPLICABLE MUST REMAIN WITHIN DIMENSIONS		SEE TABLE		SHEET NO. 2 OF 2				