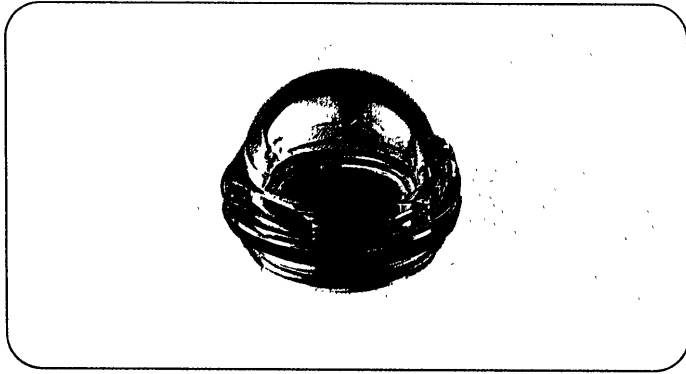


713 9470 .

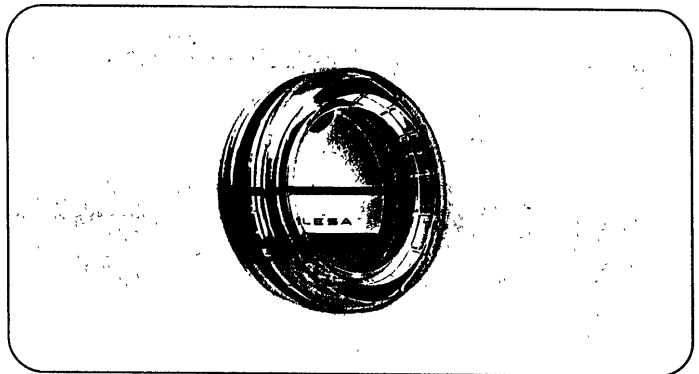


HCFE.

Oil circulation sights

- Special transparent polyamide **technopolymer**. Resistant to solvents, oils with additives, greases, acids and alkali. Avoid contact with alcohol and any detergents containing alcohol.
- NBR synthetic rubber **packing ring**.
- Maximum **working temperature** 110° C at normal pressure.

A moderate torque (from 5 to 15 Nm depending on diameter) is recommended when screwing oil circulation sight so as to guarantee optimal tightness without any elastic deformation.

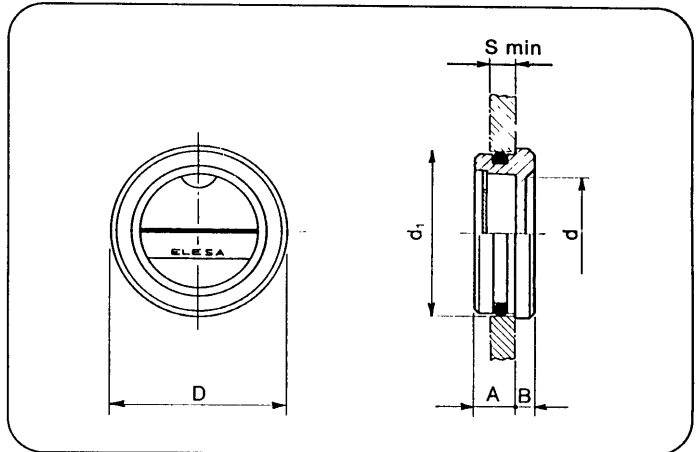
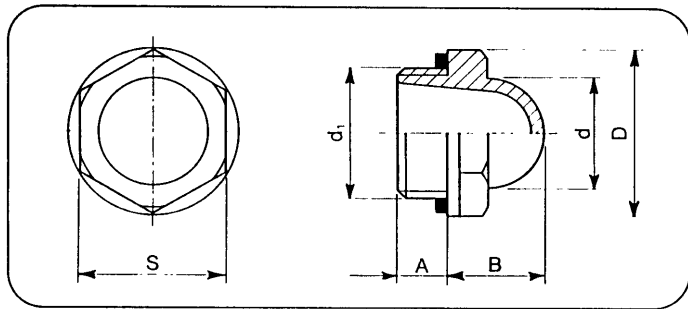


HE.

Oil indicators push fit

- Transparent high mechanical resistance **polycarbonate**. Resistant to acids, alkali, greases and oils. Not suitable for use with oils with additives and solvents.
- White lacquered aluminium **contrast screen** with red level line.
- NBR synthetic rubber **OR packing ring**.
- Maximum **working temperature** 100° C.

Suitable ribbing makes installation possible even when there is limited pressure in the tank. Chamfer hole 1x45° and grease outside surface of OR slightly to make assembly easier.



Elesa Standard		Main dimensions						Weight
Code	Description	d _i	A	B	D	d	s	grams
10851	HCFE.12	3/8 Gas	8	13	22	15	19	4
10901	HCFE.15	1/2 Gas	10	16	26	19	22	5
11001	HCFE.20	3/4 Gas	10	20	31	25	27	8
11101	HCFE.24	1 Gas	10	24	42	31	36	18
11111	HCFE.30	1 1/4 Gas	12	27	47	38	41	22

Elesa Standard		Main dimensions						Weight
Code	Description	d _i	A	B	D	d	S _{min}	grams
11401	HE.17	Ø17H11 ^{+0.110} ₀	7	3	18	9	5	2
11501	HE.20	Ø20H11 ^{+0.130} ₀	7	3	21	12	6	3
11601	HE.26	Ø26H11 ^{+0.130} ₀	7	3	28	17	6	5
11701	HE.30	Ø30H11 ^{+0.130} ₀	8	4	32	20	7	7
11801	HE.35	Ø35H11 ^{+0.160} ₀	9	4	38	25	8	10
11901	HE.40	Ø40H11 ^{+0.160} ₀	10	4	43	28	9	13
12001	HE.45	Ø45H11 ^{+0.160} ₀	11	5	47	32	9	18

7137746
7137758
7137760
7137771
—
—

7139470
7139482
7139494
7139500
7139512
—
—