

*Preliminary Data Sheet*  
**POWERTAP II**  
**SWITCHMODE™ Power Rectifiers**

... using the Schottky Barrier principle with a platinum barrier metal. These state-of-the-art devices have the following features:

- Dual Diode Construction — May Be Paralleled for Higher Current Output
- Guardring for Stress Protection
- Low Forward Voltage
- 175°C Operating Junction Temperature
- Guaranteed Reverse Avalanche

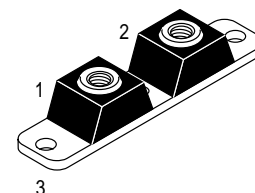
**Mechanical Characteristics:**

- Case: Epoxy, Molded with metal heatsink base
- Weight: 80 grams (approximately)
- Finish: All External Surfaces Corrosion Resistant
- Top Terminal Torque: 25–40 lb-in max
- Base Plate Torques: See procedure given in the Package Outline Section
- Shipped 25 units per foam
- Marking: B20045T, B20060T

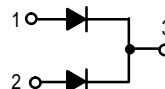
**MBRP20045CT**  
**MBRP20060CT**

Motorola Preferred Devices

**SCHOTTKY BARRIER  
RECTIFIERS**  
**200 AMPERES**  
**45 to 60 VOLTS**



**CASE 357C-03**  
**POWERTAP II**



**MAXIMUM RATINGS**

Rating	Symbol	MBRP20045CT	MBRP20060CT	Unit
Peak Repetitive Reverse Voltage Working Peak Reverse Voltage DC Blocking Voltage	$V_{RRM}$ $V_{RWM}$ $V_R$	45	60	Volts
Average Rectified Forward Current (Rated $V_R$ ) $T_C = 140^\circ\text{C}$	$I_{F(AV)}$	200 100	200 100	Amps
Peak Repetitive Forward Current, Per Leg (Rated $V_R$ , Square Wave, 20 kHz), $T_C = 140^\circ\text{C}$	$I_{FRM}$	200	200	Amps
Non-Repetitive Peak Surge Current (Surge applied at rated load conditions halfwave, single phase, 60 Hz)	$I_{FSM}$	1500	1500	Amps
Peak Repetitive Reverse Current, Per Leg (2.0 $\mu\text{s}$ , 1.0 kHz) See Figure 6.	$I_{RRM}$	2.0	2.0	Amps
Operating Junction Temperature	$T_J$	-55 to +175	-55 to +175	$^\circ\text{C}$
Storage Temperature	$T_{stg}$	-55 to +150	-55 to +150	$^\circ\text{C}$
Voltage Rate of Change (Rated $V_R$ )	$dv/dt$	10000	10000	$\text{V}/\mu\text{s}$

**THERMAL CHARACTERISTICS PER LEG**

Thermal Resistance, Junction to Case	$R_{\theta JC}$	0.6	0.6	$^\circ\text{C}/\text{W}$
--------------------------------------	-----------------	-----	-----	---------------------------

**ELECTRICAL CHARACTERISTICS PER LEG**

Instantaneous Forward Voltage (1) ( $i_F = 200$ Amps, $T_J = 25^\circ\text{C}$ ) ( $i_F = 200$ Amps, $T_J = 25^\circ\text{C}$ )	$V_F$	0.89 0.78	0.91 0.80	Volts
Instantaneous Reverse Current (1) (Rated dc Voltage, $T_J = 125^\circ\text{C}$ ) (Rated dc Voltage, $T_J = 25^\circ\text{C}$ )	$i_R$	50 0.5	50 0.5	mA

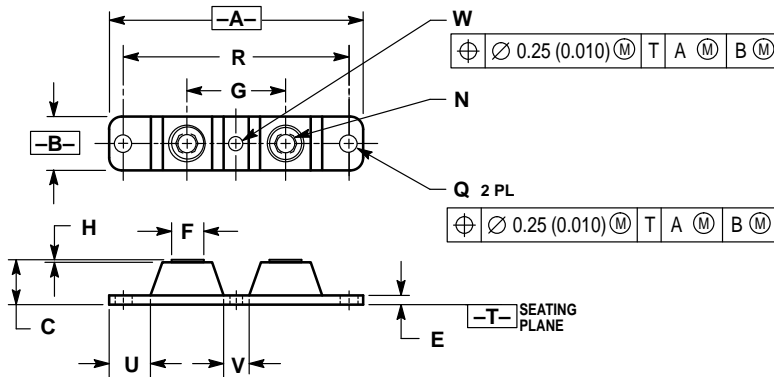
(1) Pulse Test: Pulse Width = 300  $\mu\text{s}$ , Duty Cycle  $\leq 2.0\%$ .

POWERTAP II and SWITCHMODE are trademarks of Motorola, Inc.

This document contains information on a product under development. Motorola reserves the right to change or discontinue this product without notice.

**Preferred** devices are Motorola recommended choices for future use and best overall value.

PACKAGE DIMENSIONS



NOTES:

1. DIMENSIONING AND TOLERANCING PER ANSI Y14.5M, 1982.
2. CONTROLLING DIMENSION: INCH.
3. TERMINAL PENETRATION: 5.97 (0.235) MAXIMUM.

DIM	INCHES		MILLIMETERS	
	MIN	MAX	MIN	MAX
A	3.450	3.635	87.63	92.33
B	0.700	0.810	17.78	20.57
C	0.615	0.640	15.53	16.26
E	0.120	0.130	3.05	3.30
F	0.435	0.445	11.05	11.30
G	1.370	1.380	34.80	35.05
H	0.007	0.030	0.18	0.76
N	1/4-20UNC-2B		1/4-20UNC-2B	
Q	0.270	0.285	6.86	7.32
R	31.50 BSC		80.01 BSC	
U	0.600	0.630	15.24	16.00
V	0.330	0.375	8.39	9.52
W	0.170	0.190	4.32	4.82

CASE 357C-03  
ISSUE C

Motorola reserves the right to make changes without further notice to any products herein. Motorola makes no warranty, representation or guarantee regarding the suitability of its products for any particular purpose, nor does Motorola assume any liability arising out of the application or use of any product or circuit, and specifically disclaims any and all liability, including without limitation consequential or incidental damages. "Typical" parameters which may be provided in Motorola data sheets and/or specifications can and do vary in different applications and actual performance may vary over time. All operating parameters, including "Typicals" must be validated for each customer application by customer's technical experts. Motorola does not convey any license under its patent rights nor the rights of others. Motorola products are not designed, intended, or authorized for use as components in systems intended for surgical implant into the body, or other applications intended to support or sustain life, or for any other application in which the failure of the Motorola product could create a situation where personal injury or death may occur. Should Buyer purchase or use Motorola products for any such unintended or unauthorized application, Buyer shall indemnify and hold Motorola and its officers, employees, subsidiaries, affiliates, and distributors harmless against all claims, costs, damages, and expenses, and reasonable attorney fees arising out of, directly or indirectly, any claim of personal injury or death associated with such unintended or unauthorized use, even if such claim alleges that Motorola was negligent regarding the design or manufacture of the part. Motorola and are registered trademarks of Motorola, Inc. Motorola, Inc. is an Equal Opportunity/Affirmative Action Employer.

Mfax is a trademark of Motorola, Inc.

How to reach us:

USA/EUROPE/Locations Not Listed: Motorola Literature Distribution;  
P.O. Box 5405, Denver, Colorado 80217. 303-675-2140 or 1-800-441-2447

JAPAN: Nippon Motorola Ltd.: SPD, Strategic Planning Office, 4-32-1,  
Nishi-Gotanda, Shinagawa-ku, Tokyo 141, Japan. 81-3-5487-8488

Mfax™: RMFAX0@email.sps.mot.com - TOUCHTONE 602-244-6609  
- US & Canada ONLY 1-800-774-1848

ASIA/PACIFIC: Motorola Semiconductors H.K. Ltd.; 8B Tai Ping Industrial Park,  
51 Ting Kok Road, Tai Po, N.T., Hong Kong. 852-26629298

INTERNET: <http://motorola.com/spc>



◇ CODELINE TO BE PLACED HERE