

**PLEASE CHECK WWW.MOLEX.COM FOR LATEST PART INFORMATION**

**Part Number:** [0015912075](#)  
**Status:** **Active**  
**Description:** 2.54mm (.100") Pitch SL™ Wire-to-Board Header, Low Profile, Surface Mount, Single Row, Right Angle, .120" Pocket, Shrouded, with Press-fit Plastic Peg, 7 Circuits, 0.38µm (15µ") Gold (Au) Selective Plating, Tin (Sn) PC Tail Plating

**Documents:**

|   |  |
|---|--|
| <a href="#">3D Model</a>                      | <a href="#">Product Specification PS-70400 (PDF)</a> |
| <a href="#">Packaging Specification (PDF)</a> | <a href="#">Product Specification PS-70541 (PDF)</a> |
| <a href="#">Drawing (PDF)</a>                 | <a href="#">RoHS Certificate of Compliance (PDF)</a> |

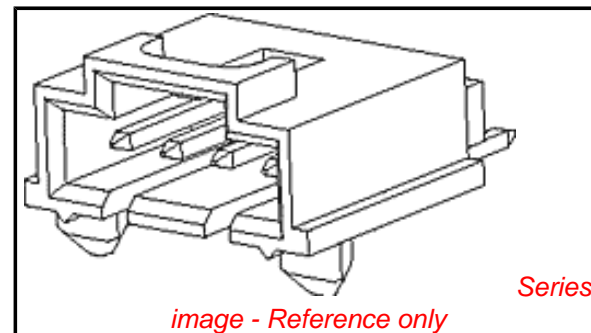


image - Reference only

**Agency Certification**

|     |         |
|-----|---------|
| CSA | LR19980 |
| UL  | E29179  |

**General**

|                |                       |
|----------------|-----------------------|
| Product Family | PCB Headers           |
| Series         | <a href="#">70634</a> |
| Application    | Wire-to-Board         |
| Product Name   | SL™                   |

**Physical**

|                                |                                |
|--------------------------------|--------------------------------|
| Breakaway                      | No                             |
| Circuits (Loaded)              | 7                              |
| Circuits (maximum)             | 7                              |
| Color - Resin                  | Black                          |
| Durability (mating cycles max) | 50                             |
| Flammability                   | 94V-0                          |
| Glow-Wire Compliant            | No                             |
| Lock to Mating Part            | Yes                            |
| Material - Metal               | Brass, Phosphor Bronze         |
| Material - Plating Mating      | Gold                           |
| Material - Plating Termination | Tin                            |
| Material - Resin               | High Temperature Thermoplastic |
| Number of Rows                 | 1                              |
| Orientation                    | Right Angle                    |
| PCB Locator                    | Yes                            |
| PCB Retention                  | Yes                            |
| PCB Thickness Recommended (in) | 0.062 In                       |
| PCB Thickness Recommended (mm) | 1.60 mm                        |
| Packaging Type                 | Tube                           |
| Pitch - Mating Interface (in)  | 0.100 In                       |
| Pitch - Mating Interface (mm)  | 2.54 mm                        |
| Plating min: Mating (µin)      | 15                             |
| Plating min: Mating (µm)       | 0.375                          |
| Plating min: Termination (µin) | 75                             |
| Plating min: Termination (µm)  | 1.875                          |
| Polarized to Mating Part       | Yes                            |
| Polarized to PCB               | Yes                            |
| Shrouded                       | Fully                          |
| Stackable                      | No                             |
| Temperature Range - Operating  | -40°C to +105°C                |
| Termination Interface: Style   | Surface Mount                  |

**Electrical**

|                               |    |
|-------------------------------|----|
| Current - Maximum per Contact | 3A |
|-------------------------------|----|

**EU RoHS**

**ELV and RoHS Compliant**

**REACH SVHC**

Not Reviewed

**Halogen-Free**

**Status**

**Not Halogen-Free**

**China RoHS**



**Need more information on product environmental compliance?**

Email [productcompliance@molex.com](mailto:productcompliance@molex.com)  
 For a multiple part number RoHS Certificate of Compliance, [click here](#)

Please visit the [Contact Us](#) section for any non-product compliance questions.

**Search Parts in this Series**

[70634Series](#)

**Mates With**

[70066n](#) , [70066g](#) , [70430g](#) , [70400g](#) Housing

Voltage - Maximum

250V

**Solder Process Data**

Lead-free Process Capability  
Process Temperature max. C

Reflow Capable (SMT only)  
260

**Material Info**

Old Part Number

70634-0041

**Reference - Drawing Numbers**

Product Specification  
Sales Drawing

PS-70400, PS-70541, RPS-70634-001  
SDA-70634-\*\*\*\*

This document was generated on 04/09/2010

**PLEASE CHECK [WWW.MOLEX.COM](http://WWW.MOLEX.COM) FOR LATEST PART INFORMATION**



KAPTON TAPE  
SEE NOTE 6 AND 7



OPTION "E"



SECTION F-F

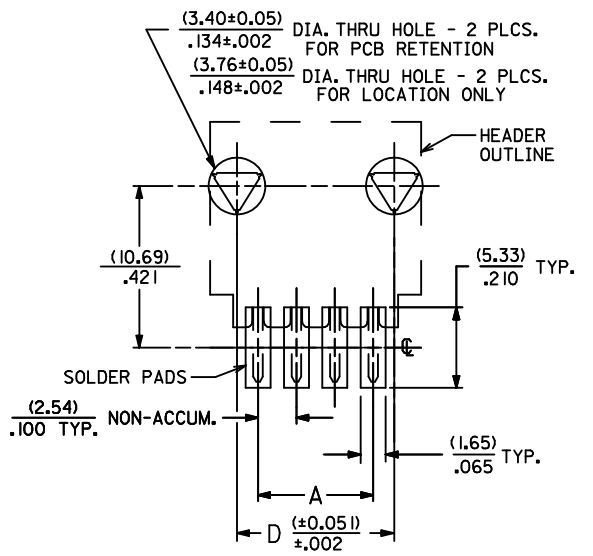
NOTES

- HOUSING MATERIAL: HIGH TEMPERATURE GLASS FILLED POLYESTER, 94V-0, COLOR: BLACK.  
PIN MATERIAL: PHOSPHOR BRONZE
- HEADER MATES TO 70400-\*\*\*\* AND 70430-\*\*\*\* OPTION "G" SERIES CONNECTORS.
- FOR PACKAGING OPTIONS REFER TO CHART ON SHEET 2.
- SEE SHEET 2 FOR PIN PLATINGS.
- REFER TO MOLEX PRODUCT SPECIFICATION PS-70541.
- SEE CHART ON SHEET 2 TO DETERMINE PART NUMBERS WITH KAPTON TAPE.
- KAPTON TAPE ADDED FOR PICK AND PLACE SYSTEMS. REMOVE KAPTON TAPE AFTER SOLDERING TO PREVENT INTERFERENCE WITH LATCH ON MATING PART.



SECTION E-E

| CKT. SIZE | "A"   |       | "B"   |       | "C"   |       | "D"   |       | "E"  |      |
|-----------|-------|-------|-------|-------|-------|-------|-------|-------|------|------|
|           | MM    | IN.   | MM    | IN.   | MM    | IN.   | MM    | IN.   | MM   | IN.  |
| 2         | 2.54  | .100  | 5.33  | .210  | 8.64  | .340  | 5.33  | .210  | 0.13 | .005 |
| 3         | 5.08  | .200  | 8.13  | .320  | 11.43 | .450  | 7.87  | .310  | 0.13 | .005 |
| 4         | 7.62  | .300  | 10.67 | .420  | 13.97 | .550  | 10.41 | .410  | 0.13 | .005 |
| 5         | 10.16 | .400  | 13.21 | .520  | 16.51 | .650  | 12.95 | .510  | 0.13 | .005 |
| 6         | 12.70 | .500  | 15.75 | .620  | 19.05 | .750  | 15.49 | .610  | 0.13 | .005 |
| 7         | 15.24 | .600  | 18.29 | .720  | 21.59 | .850  | 18.03 | .710  | 0.13 | .005 |
| 8         | 17.78 | .700  | 20.83 | .820  | 24.13 | .950  | 20.57 | .810  | 0.13 | .005 |
| 9         | 20.32 | .800  | 23.37 | .920  | 26.67 | 1.050 | 23.11 | .910  | 0.13 | .005 |
| 10        | 22.86 | .900  | 25.91 | 1.020 | 29.21 | 1.150 | 25.65 | 1.010 | 0.13 | .005 |
| 11        | 25.40 | 1.000 | 28.45 | 1.120 | 31.75 | 1.250 | 28.19 | 1.110 | 0.13 | .005 |
| 12        | 27.94 | 1.100 | 30.99 | 1.220 | 34.29 | 1.350 | 30.73 | 1.210 | 0.13 | .005 |
| 13        | 30.48 | 1.200 | 33.53 | 1.320 | 36.83 | 1.450 | 33.27 | 1.310 | 0.13 | .005 |
| 14        | 33.02 | 1.300 | 36.07 | 1.420 | 39.37 | 1.550 | 35.81 | 1.410 | 0.13 | .005 |
| 15        | 35.56 | 1.400 | 38.61 | 1.520 | 41.91 | 1.650 | 38.35 | 1.510 | 0.13 | .005 |
| 16        | 38.10 | 1.500 | 41.15 | 1.620 | 44.45 | 1.750 | 40.89 | 1.610 | 0.15 | .006 |
| 17        | 40.64 | 1.600 | 43.69 | 1.720 | 46.99 | 1.850 | 43.43 | 1.710 | 0.15 | .006 |
| 18        | 43.18 | 1.700 | 46.23 | 1.820 | 49.53 | 1.950 | 45.97 | 1.810 | 0.15 | .006 |
| 19        | 45.72 | 1.800 | 48.77 | 1.920 | 52.07 | 2.050 | 48.51 | 1.910 | 0.15 | .006 |
| 20        | 48.26 | 1.900 | 51.31 | 2.020 | 54.61 | 2.150 | 51.05 | 2.010 | 0.15 | .006 |
| 21        | 50.80 | 2.000 | 53.85 | 2.120 | 57.15 | 2.250 | 53.59 | 2.110 | 0.18 | .007 |
| 22        | 53.34 | 2.100 | 56.39 | 2.220 | 59.69 | 2.350 | 56.13 | 2.210 | 0.18 | .007 |
| 23        | 55.88 | 2.200 | 58.93 | 2.320 | 62.23 | 2.450 | 58.67 | 2.310 | 0.18 | .007 |
| 24        | 58.42 | 2.300 | 61.47 | 2.420 | 64.77 | 2.550 | 61.21 | 2.410 | 0.18 | .007 |
| 25        | 60.96 | 2.400 | 64.01 | 2.520 | 67.31 | 2.650 | 63.75 | 2.510 | 0.18 | .007 |



|   |                                      |   |   |                           |                    |                                |                      |   |  |
|---|--------------------------------------|---|---|---------------------------|--------------------|--------------------------------|----------------------|---|--|
| MODIFY DIM. TOL.<br>EC NO: UCP2010-1709<br>DRWINMS/BARRA 2010/01/28<br>CHKD: EIK 1993/06/02<br>APPR: MILLER 2010/02/08        | QUALITY SYMBOLS<br>▽=0<br>▽=2<br>▽=0 | GENERAL TOLERANCES (UNLESS SPECIFIED)   |   | DIMENSION STYLE<br>MM/IN  |                    | SCALE<br>4:1                   | DESIGN UNITS<br>INCH | THIRD ANGLE PROJECTION  |  |
|   |                                      | 4 PLACES ± --- ± ---<br>3 PLACES ± --- ± .005<br>2 PLACES ± 0.13 ± .010<br>1 PLACE ± 0.25 ± --- | mm INCH<br>± --- ± ---<br>± .005 ± .010<br>± 0.13 ± --- | DRAWN BY<br>EIK           | DATE<br>1993/06/02 | CHECKED BY<br>EIK              | DATE<br>1993/06/02   | SALES ASSEMBLY<br>SMT HEADER - RIGHT ANGLE<br>.100 CENTERS W/PCB PEGS |  |
| DRAFT WHERE APPLICABLE MUST REMAIN WITHIN DIMENSIONS  |                                      | APPROVED BY<br>MILLER 2010/02/08  |   | MATERIAL NO.<br>SEE TABLE |                    | DOCUMENT NO.<br>SDA-70634-**** |                      | SHEET NO.<br>1 OF 2   |  |
| THIS DRAWING CONTAINS INFORMATION THAT IS PROPRIETARY TO MOLEX INCORPORATED AND SHOULD NOT BE USED WITHOUT WRITTEN PERMISSION |                                      |   |   |                           |                    |                                |                      |   |  |

| 13 |                                | 12                         |        | 11 |  | 10 |  | 9 |  | 8 |  | 7                         |                               | 6                  |                                | 5                  |                | 4  |                     | 3    |                         | 2    |  | 1 |  |
|----|--------------------------------|----------------------------|--------|----|--|----|--|---|--|---|--|---------------------------|-------------------------------|--------------------|--------------------------------|--------------------|----------------|----|---------------------|------|-------------------------|------|--|---|--|
| J  | ENGINEERING NUMBER<br>A-70634- | MANUFACTURE RELEASE STATUS |        |    |  |    |  |   |  |   |  | PLATING TYPE<br>SEE BELOW | CONNECTOR END PLATING<br>TYPE | H<br>MEASURE POINT | P.C. BOARD END PLATING<br>TYPE | K<br>MEASURE POINT | KAPTON TAPE    |    | PACKAGING<br>OPTION |      | PACKAGE PER<br>PK-70873 |      |  |   |  |
|    |                                | -0001-0024                 | R.F.M. |    |  |    |  |   |  |   |  |                           | TIN                           | TIN                | (2,54)<br>.100                 | TIN                | (1,27)<br>.050 | NO |                     | TUBE |                         | -016 |  |   |  |
|    | -0036-0059                     | R.F.M.                     |        |    |  |    |  |   |  |   |  | 15 GOLD                   | GOLD                          | (2,54)<br>.100     | TIN                            | (1,27)<br>.050     | NO             |    | TUBE                |      | -016                    |      |  |   |  |
| I  | -0071-0094                     | R.F.M.                     |        |    |  |    |  |   |  |   |  | 30 GOLD                   | GOLD                          | (2,54)<br>.100     | TIN                            | (1,27)<br>.050     | NO             |    | TUBE                |      | -016                    |      |  |   |  |
|    | -0106-0129                     | R.F.M.                     |        |    |  |    |  |   |  |   |  | TIN                       | TIN                           | (2,54)<br>.100     | TIN                            | (1,27)<br>.050     | YES            |    | CARRIER TAPE        |      | -001                    |      |  |   |  |
|    | -0141-0164                     | R.F.M.                     |        |    |  |    |  |   |  |   |  | 15 GOLD                   | GOLD                          | (2,54)<br>.100     | TIN                            | (1,27)<br>.050     | YES            |    | CARRIER TAPE        |      | -001                    |      |  |   |  |
| H  | -0176-0199                     | R.F.M.                     |        |    |  |    |  |   |  |   |  | 30 GOLD                   | GOLD                          | (2,54)<br>.100     | TIN                            | (1,27)<br>.050     | YES            |    | CARRIER TAPE        |      | -001                    |      |  |   |  |

| CKTS | EDP NUMBER | ENG NUMBER   | EDP NUMBER   | ENG NUMBER   | EDP NUMBER   | ENG NUMBER   | EDP NUMBER   | ENG NUMBER   | EDP NUMBER   | ENG NUMBER   | EDP NUMBER   | ENG NUMBER   | EDP NUMBER   | ENG NUMBER | EDP NUMBER | ENG NUMBER | EDP NUMBER | ENG NUMBER | EDP NUMBER | ENG NUMBER | EDP NUMBER | ENG NUMBER | EDP NUMBER | ENG NUMBER | CKTS |
|------|------------|--------------|--------------|--------------|--------------|--------------|--------------|--------------|--------------|--------------|--------------|--------------|--------------|------------|------------|------------|------------|------------|------------|------------|------------|------------|------------|------------|------|
| 02   | 15-91-3024 | A-70634-0001 | 15-91-2025   | A-70634-0036 | 15-91-3023   | A-70634-0071 | 15-91-6029   | A-70634-0106 | 15-91-7020   | A-70634-0141 | 15-91-7021   | A-70634-0176 |              |            |            |            |            |            |            |            |            |            |            |            | 02   |
| 03   | 15-91-3034 | A-70634-0002 | 15-91-2035   | A-70634-0037 | 15-91-3033   | A-70634-0072 | 15-91-6039   | A-70634-0107 | 15-91-7030   | A-70634-0142 | 15-91-7031   | A-70634-0177 |              |            |            |            |            |            |            |            |            |            |            |            | 03   |
| 04   | 15-91-3044 | A-70634-0003 | 15-91-2045   | A-70634-0038 | 15-91-3043   | A-70634-0073 | 15-91-6049   | A-70634-0108 | 15-91-7040   | A-70634-0143 | 15-91-7041   | A-70634-0178 |              |            |            |            |            |            |            |            |            |            |            |            | 04   |
| 05   | 15-91-3054 | A-70634-0004 | 15-91-2055   | A-70634-0039 | 15-91-3053   | A-70634-0074 | 15-91-6059   | A-70634-0109 | 15-91-7050   | A-70634-0144 | 15-91-7051   | A-70634-0179 |              |            |            |            |            |            |            |            |            |            |            |            | 05   |
| 06   | 15-91-3064 | A-70634-0005 | 15-91-2065   | A-70634-0040 | 15-91-3063   | A-70634-0075 | 15-91-6069   | A-70634-0110 | 15-91-7060   | A-70634-0145 | 15-91-7061   | A-70634-0180 |              |            |            |            |            |            |            |            |            |            |            |            | 06   |
| 07   | 15-91-3074 | A-70634-0006 | 15-91-2075   | A-70634-0041 | 15-91-3073   | A-70634-0076 | 15-91-6079   | A-70634-0111 | 15-91-7070   | A-70634-0146 | 15-91-7071   | A-70634-0181 |              |            |            |            |            |            |            |            |            |            |            |            | 07   |
| 08   | 15-91-3084 | A-70634-0007 | 15-91-2085   | A-70634-0042 | 15-91-3083   | A-70634-0077 | 15-91-6089   | A-70634-0112 | 15-91-7080   | A-70634-0147 | 15-91-7081   | A-70634-0182 |              |            |            |            |            |            |            |            |            |            |            |            | 08   |
| F    | 09         | 15-91-3094   | A-70634-0008 | 15-91-2095   | A-70634-0043 | 15-91-3093   | A-70634-0078 | 15-91-6099   | A-70634-0113 | 15-91-7090   | A-70634-0148 | 15-91-7091   | A-70634-0183 |            |            |            |            |            |            |            |            |            |            |            | 09   |
|      | 10         | 15-91-3104   | A-70634-0009 | 15-91-2105   | A-70634-0044 | 15-91-3103   | A-70634-0079 | 15-91-6109   | A-70634-0114 | 15-91-7100   | A-70634-0149 | 15-91-7101   | A-70634-0184 |            |            |            |            |            |            |            |            |            |            |            | 10   |
|      | 11         | 15-91-3114   | A-70634-0010 | 15-91-2115   | A-70634-0045 | 15-91-3113   | A-70634-0080 | 15-91-6119   | A-70634-0115 | 15-91-7110   | A-70634-0150 | 15-91-7111   | A-70634-0185 |            |            |            |            |            |            |            |            |            |            |            | 11   |
|      | 12         | 15-91-3124   | A-70634-0011 | 15-91-2125   | A-70634-0046 | 15-91-3123   | A-70634-0081 | 15-91-6129   | A-70634-0116 | 15-91-7120   | A-70634-0151 | 15-91-7121   | A-70634-0186 |            |            |            |            |            |            |            |            |            |            |            | 12   |
|      | 13         | 15-91-3134   | A-70634-0012 | 15-91-2135   | A-70634-0047 | 15-91-3133   | A-70634-0082 | 15-91-6139   | A-70634-0117 | 15-91-7130   | A-70634-0152 | 15-91-7131   | A-70634-0187 |            |            |            |            |            |            |            |            |            |            |            | 13   |
|      | 14         | 15-91-3144   | A-70634-0013 | 15-91-2145   | A-70634-0048 | 15-91-3143   | A-70634-0083 | 15-91-6149   | A-70634-0118 | 15-91-7140   | A-70634-0153 | 15-91-7141   | A-70634-0188 |            |            |            |            |            |            |            |            |            |            |            | 14   |
| E    | 15         | 15-91-3154   | A-70634-0014 | 15-91-2155   | A-70634-0049 | 15-91-3153   | A-70634-0084 | 15-91-6159   | A-70634-0119 | 15-91-7150   | A-70634-0154 | 15-91-7151   | A-70634-0189 |            |            |            |            |            |            |            |            |            |            |            | 15   |
|      | 16         | 15-91-3164   | A-70634-0015 | 15-91-2165   | A-70634-0050 | 15-91-3163   | A-70634-0085 | 15-91-6169   | A-70634-0120 | 15-91-7160   | A-70634-0155 | 15-91-7161   | A-70634-0190 |            |            |            |            |            |            |            |            |            |            |            | 16   |
|      | 17         | 15-91-3174   | A-70634-0016 | 15-91-2175   | A-70634-0051 | 15-91-3173   | A-70634-0086 | 15-91-6179   | A-70634-0121 | 15-91-7170   | A-70634-0156 | 15-91-7171   | A-70634-0191 |            |            |            |            |            |            |            |            |            |            |            | 17   |
|      | 18         | 15-91-3184   | A-70634-0017 | 15-91-2185   | A-70634-0052 | 15-91-3183   | A-70634-0087 | 15-91-6189   | A-70634-0122 | 15-91-7180   | A-70634-0157 | 15-91-7181   | A-70634-0192 |            |            |            |            |            |            |            |            |            |            |            | 18   |
|      | 19         | 15-91-3194   | A-70634-0018 | 15-91-2195   | A-70634-0053 | 15-91-3193   | A-70634-0088 | 15-91-6199   | A-70634-0123 | 15-91-7190   | A-70634-0158 | 15-91-7191   | A-70634-0193 |            |            |            |            |            |            |            |            |            |            |            | 19   |
|      | 20         | 15-91-3204   | A-70634-0019 | 15-91-2205   | A-70634-0054 | 15-91-3203   | A-70634-0089 | 15-91-6209   | A-70634-0124 | 15-91-7200   | A-70634-0159 | 15-91-7201   | A-70634-0194 |            |            |            |            |            |            |            |            |            |            |            | 20   |
| D    | 21         | 15-91-3214   | A-70634-0020 | 15-91-2215   | A-70634-0055 | 15-91-3213   | A-70634-0090 | 15-91-6219   | A-70634-0125 | 15-91-7210   | A-70634-0160 | 15-91-7211   | A-70634-0195 |            |            |            |            |            |            |            |            |            |            |            | 21   |
|      | 22         | 15-91-3224   | A-70634-0021 | 15-91-2225   | A-70634-0056 | 15-91-3223   | A-70634-0091 | 15-91-6229   | A-70634-0126 | 15-91-7220   | A-70634-0161 | 15-91-7221   | A-70634-0196 |            |            |            |            |            |            |            |            |            |            |            | 22   |
|      | 23         | 15-91-3234   | A-70634-0022 | 15-91-2235   | A-70634-0057 | 15-91-3233   | A-70634-0092 | 15-91-6239   | A-70634-0127 | 15-91-7230   | A-70634-0162 | 15-91-7231   | A-70634-0197 |            |            |            |            |            |            |            |            |            |            |            | 23   |
|      | 24         | 15-91-3244   | A-70634-0023 | 15-91-2245   | A-70634-0058 | 15-91-3243   | A-70634-0093 | 15-91-6249   | A-70634-0128 | 15-91-7240   | A-70634-0163 | 15-91-7241   | A-70634-0198 |            |            |            |            |            |            |            |            |            |            |            | 24   |
|      | 25         | 15-91-3254   | A-70634-0024 | 15-91-2255   | A-70634-0059 | 15-91-3253   | A-70634-0094 | 15-91-6259   | A-70634-0129 | 15-91-7250   | A-70634-0164 | 15-91-7251   | A-70634-0199 |            |            |            |            |            |            |            |            |            |            |            | 25   |

**PLATING TYPE**

TIN TIN (Sn) OVER ENTIRE PIN; THICKNESS=(3.75 MICROMETER)/75 MICROINCH MINIMUM;  
NICKEL (Ni) UNDERPLATE OVER ENTIRE PIN.

15 GOLD SELECTIVE GOLD (Au) IN THE CONTACT AREA; THICKNESS=(0.37 MICROMETER)/15 MICROINCH MINIMUM;  
SELECTIVE TIN (Sn) IN THE PC TAIL AREA; THICKNESS=(1.88 MICROMETER)/75 MICROINCH MINIMUM;  
NICKEL (Ni) UNDERPLATE OVER ENTIRE PIN.

30 GOLD SELECTIVE GOLD (Au) IN THE CONTACT AREA; THICKNESS=(0.75 MICROMETER)/30 MICROINCH MINIMUM;  
SELECTIVE TIN (Sn) IN THE PC TAIL AREA; THICKNESS=(1.88 MICROMETER)/75 MICROINCH MINIMUM;  
NICKEL (Ni) UNDERPLATE OVER ENTIRE PIN.

|  |                                      |                                       |                       |                          |                      |                    |                      |  |                        |
|--|--------------------------------------|---------------------------------------|-----------------------|--------------------------|----------------------|--------------------|----------------------|--|------------------------|
| SEE SHEET 1<br>EC NO: UCP2010-1709<br>DRAWN BY: DRWINNISI BARRA<br>CHKD BY: CHKDEIK<br>APPR: SMILLER<br>2010/01/28<br>1993/06/02<br>2010/02/08 | QUALITY SYMBOLS<br>▽=0<br>▽=0<br>▽=0 | GENERAL TOLERANCES (UNLESS SPECIFIED) |                       | DIMENSION STYLE<br>MM/IN |                      | SCALE              | DESIGN UNITS<br>INCH | THIRD ANGLE PROJECTION   |                        |
|  |                                      | 4 PLACES ± --- ± ---                  | 3 PLACES ± --- ± .005 | 2 PLACES ± 0.13 ± .010   | 1 PLACE ± 0.25 ± --- | DRAWN BY<br>EIK    | DATE<br>1993/06/02   | TITLE<br>SALES ASSEMBLY<br>SMT HEADER - RIGHT ANGLE<br>.100 CENTERS W/PCB PEGS | APPROVED BY<br>SMILLER |
| DRAFT WHERE APPLICABLE<br>MUST REMAIN<br>WITHIN DIMENSIONS   |                                      | ANGULAR ±1/2°                         |                       | SEE TABLE                |                      | MOLEX INCORPORATED |                      | SHEET NO.<br>2 OF 2  |                        |
| THIS DRAWING CONTAINS INFORMATION THAT IS PROPRIETARY TO MOLEX INCORPORATED AND SHOULD NOT BE USED WITHOUT WRITTEN PERMISSION                  |                                      |                                       |                       |                          |                      |                    |                      |  |                        |