

# Common Mode Inductors (with Header)

## Special Features

- Single layer wound
- Excellent EMI suppression capability over wide frequency spectrum
- High current capacity
- Dielectric strength: 1500 Vrms
- Coil mount on UL 94V-0 rated plastic header
- Fixed pin spacing allow easy PCB insertion
- Operating temperature: -55 to +105 °C

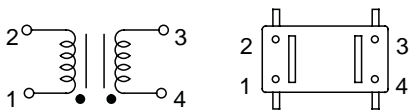
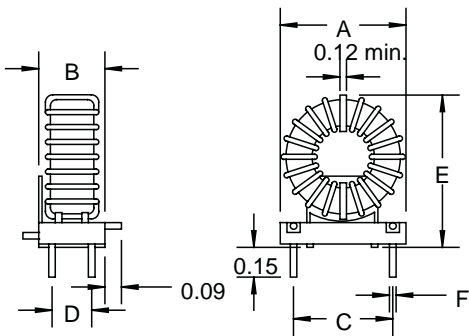
## Notes

\* Rated current to cause approx. 35 °C temperature rise

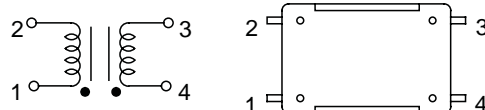
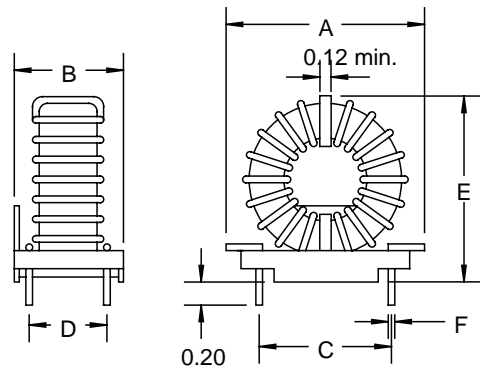
† RoHS Directive 2002/95/EC Jan 27 2003 including Annex.

| 8100 Series |              |             |          |                      |        |        |        |        |        |        |
|-------------|--------------|-------------|----------|----------------------|--------|--------|--------|--------|--------|--------|
| Part Number | L (mH)       |             | DCR      | Leakage              | Dim. A | Dim. B | Dim. C | Dim. D | Dim. E | Dim. F |
|             | Min. @ 1 KHz | I (A)* Max. | (Ω) Max. | Inductance (μH) Typ. | Max.   | ±0.01  | ±0.015 | ±0.015 | Max.   | Max.   |
| 8101-RC     | 4            | 1.7         | 0.173    | 27                   | 0.76   | 0.425  | 0.600  | 0.250  | 0.90   | 0.040  |
| 8102-RC     | 2.5          | 2.4         | 0.09     | 17                   | 0.76   | 0.425  | 0.600  | 0.250  | 0.90   | 0.040  |
| 8103-RC     | 1            | 4.8         | 0.022    | 7                    | 0.76   | 0.425  | 0.600  | 0.250  | 0.90   | 0.040  |
| 8104-RC     | 10           | 2.4         | 0.17     | 45                   | 1.20   | 0.60   | 0.800  | 0.400  | 1.20   | 0.050  |
| 8105-RC     | 7            | 2.8         | 0.12     | 32                   | 1.20   | 0.60   | 0.800  | 0.400  | 1.20   | 0.050  |
| 8106-RC     | 5            | 3.7         | 0.07     | 23                   | 1.20   | 0.60   | 0.800  | 0.400  | 1.20   | 0.050  |
| 8107-RC     | 2            | 6.6         | 0.022    | 9                    | 1.20   | 0.60   | 0.800  | 0.400  | 1.20   | 0.050  |
| 8108-RC     | 1            | 10          | 0.01     | 4.5                  | 1.20   | 0.60   | 0.800  | 0.400  | 1.20   | 0.050  |
| 8109-RC     | 30           | 2.3         | 0.33     | 136                  | 1.35   | 0.80   | 0.900  | 0.600  | 1.45   | 0.050  |
| 8110-RC     | 20           | 2.9         | 0.21     | 95                   | 1.35   | 0.80   | 0.900  | 0.600  | 1.45   | 0.050  |
| 8111-RC     | 12           | 4           | 0.11     | 57                   | 1.35   | 0.80   | 0.900  | 0.600  | 1.45   | 0.050  |
| 8112-RC     | 8            | 5.6         | 0.055    | 38                   | 1.35   | 0.80   | 0.900  | 0.600  | 1.45   | 0.050  |
| 8113-RC     | 5            | 8.9         | 0.022    | 25                   | 1.45   | 0.80   | 0.900  | 0.600  | 1.50   | 0.043  |
| 8114-RC     | 2.5          | 12.5        | 0.011    | 12.5                 | 1.45   | 0.80   | 0.900  | 0.600  | 1.50   | 0.053  |
| 8115-RC     | 1.2          | 16          | 0.006    | 6                    | 1.50   | 0.80   | 0.900  | 0.600  | 1.53   | 0.060  |
| 8116-RC     | 50           | 2.3         | 0.45     | 230                  | 1.55   | 0.80   | 0.900  | 0.600  | 1.65   | 0.050  |
| 8117-RC     | 36           | 2.9         | 0.3      | 167                  | 1.55   | 0.80   | 0.900  | 0.600  | 1.65   | 0.050  |
| 8118-RC     | 7.3          | 9.3         | 0.032    | 30.5                 | 1.65   | 0.80   | 0.900  | 0.600  | 1.65   | 0.043  |
| 8119-RC     | 4            | 14.5        | 0.012    | 16                   | 1.70   | 0.90   | 1.200  | 0.700  | 1.65   | 0.060  |
| 8120-RC     | 2.4          | 17          | 0.008    | 9.6                  | 1.70   | 0.90   | 1.200  | 0.700  | 1.65   | 0.067  |
| 8121-RC     | 1            | 20          | 0.007    | 4                    | 1.70   | 0.90   | 1.200  | 0.700  | 1.65   | 0.067  |

"-RC" suffix indicates RoHS compliance.



8101-8103



8104-8121

Dimensions: Inches