

ST-3500 Series Surface Mount 3.5mm Audio Jack

Features



- Audio Applications for Computers and Multimedia
- Surface Mount Design
- All Plastic
- CSA/NRTL Certified File No. LR78160

Performance Specifications

Materials and Finish

Housing: High Temperature Thermoplastic, Black Color
UL94V-0 Rated

Terminals: Copper Alloy, Silver over Nickel Plating

Mechanical Characteristics

Insertion Force: 3.0kg Max.

Extraction Force: 0.2kg Min.

Durability: 5000 Mating Cycles

Electrical Characteristics

Contact Resistance

Before Durability Test

50 Milliohms Max.

After Durability Test

100 Milliohms Max.

Rated Voltage: 16 V DC

Rated Current: 0.3 A

Insulation Resistance: 100 Megohms Min. at 500V DC

Dielectric Strength: 500V AC for 1 Minute

Operating Temperature: -25°C to +80°C

AUDIO JACKS

ST-3500 Series

Ordering Information

ST-3500	-	3	N	-	TR
Series		Number of Pins			Packaging

Series

ST-3500 - 3.5mm Surface Mount Audio Jack

Number of Pins

3 - 3 Pins

4 - 4 Pins

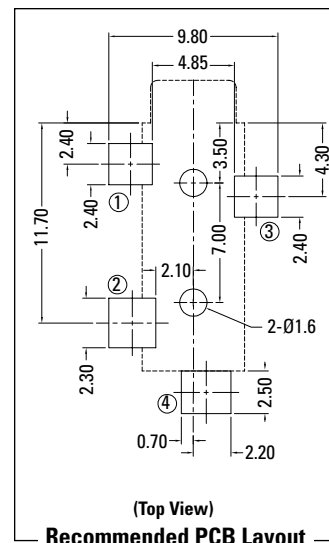
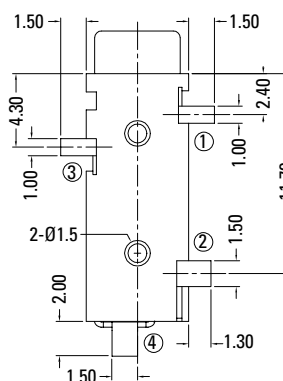
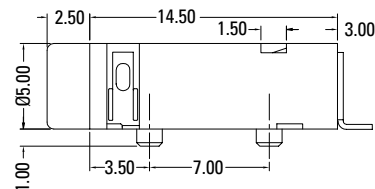
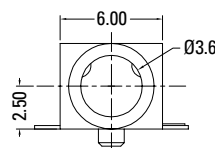
Packaging

Blank - Bulk

TR - Tape and Reel

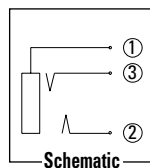
Dimensions

Dimensions in mm



(Top View)
Recommended PCB Layout

ST-3500-3N



ST-3500-4N

